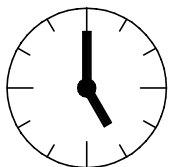
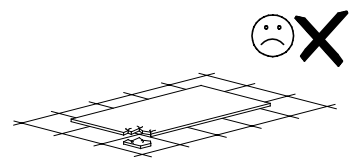
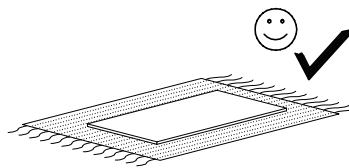
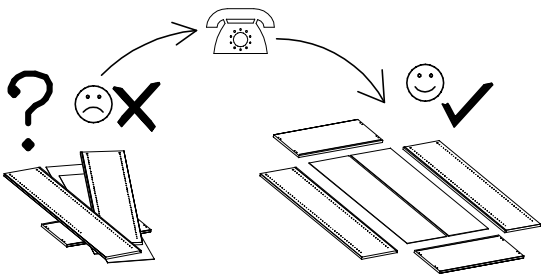
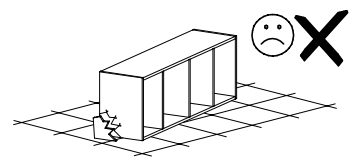
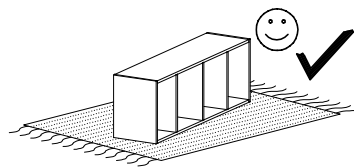
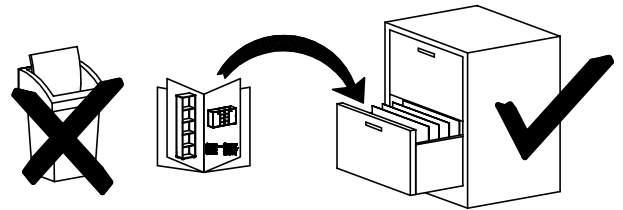
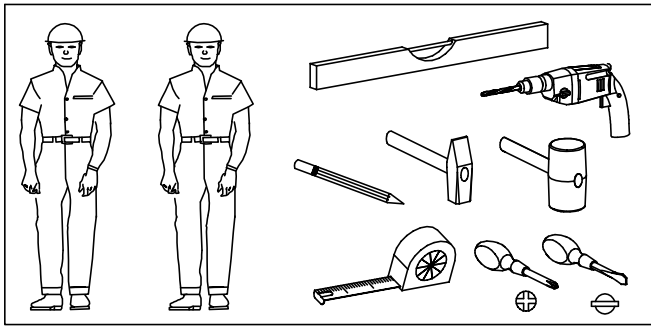
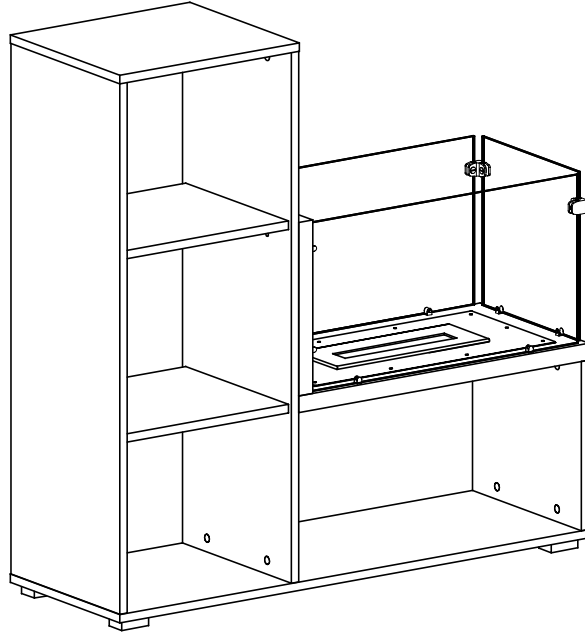
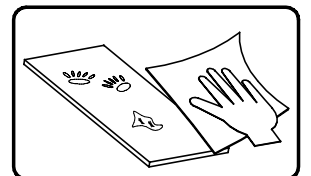
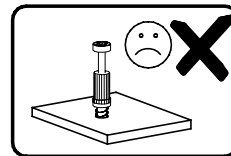
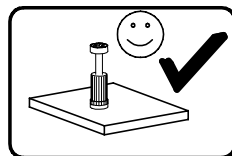
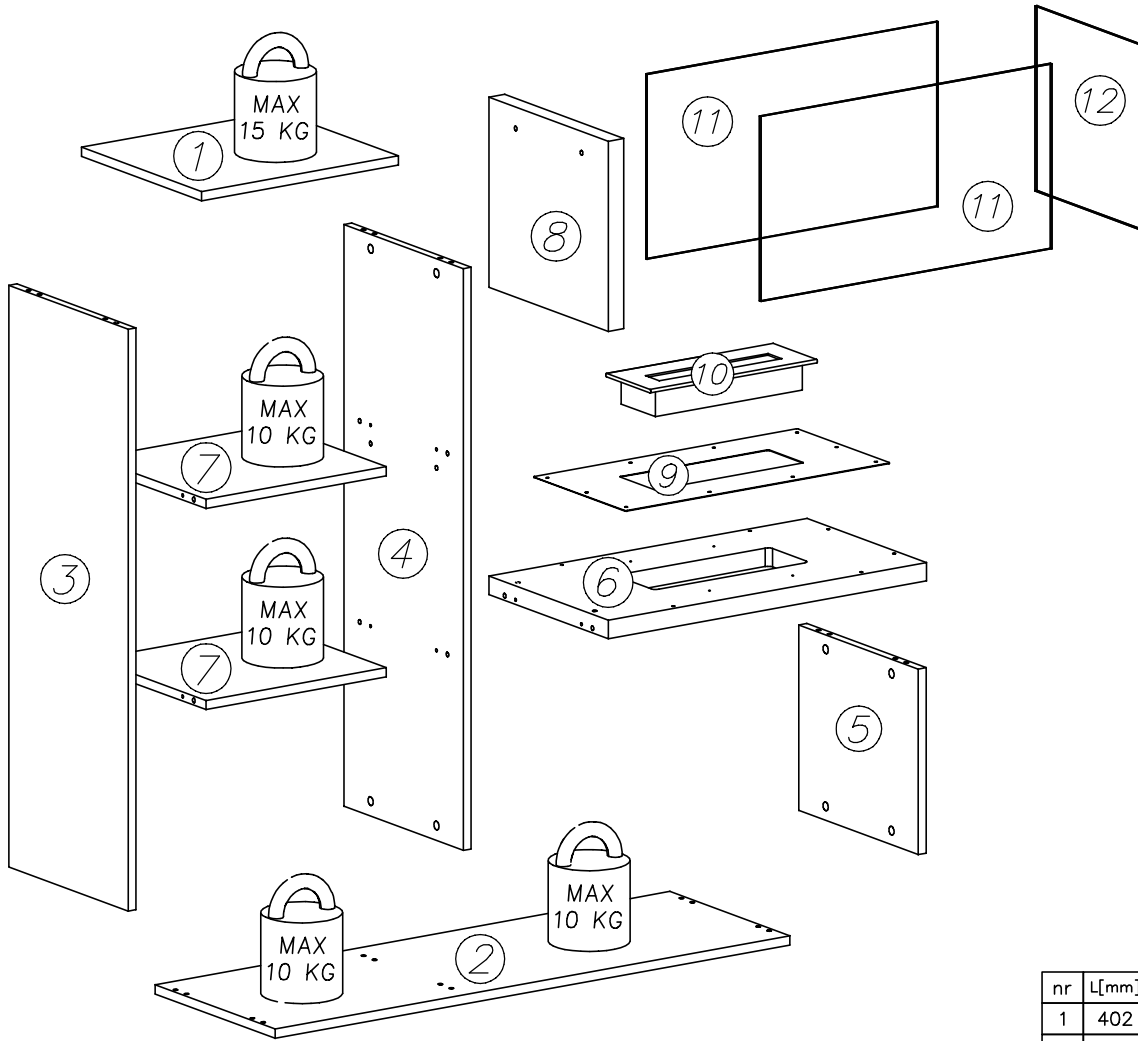
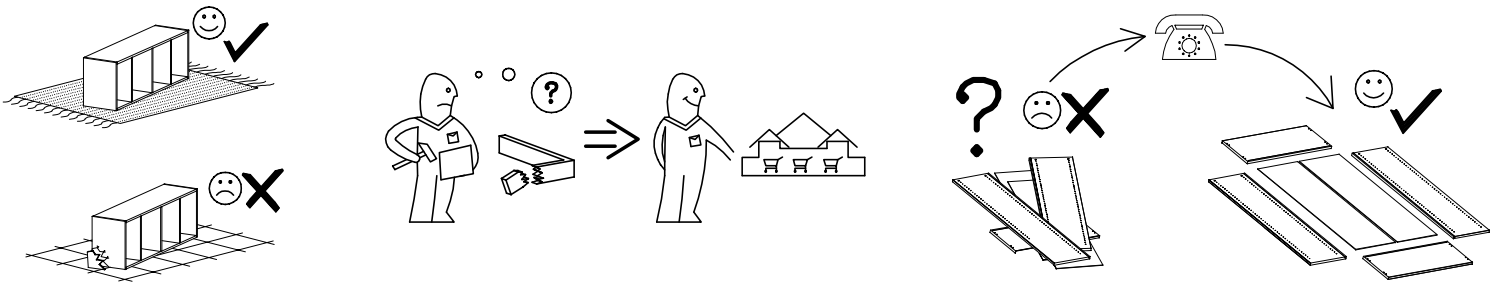


TETRIS

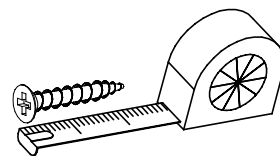


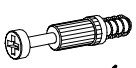
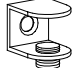

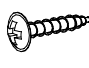

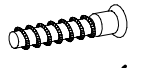


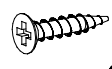
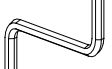

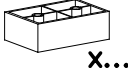
1,5h

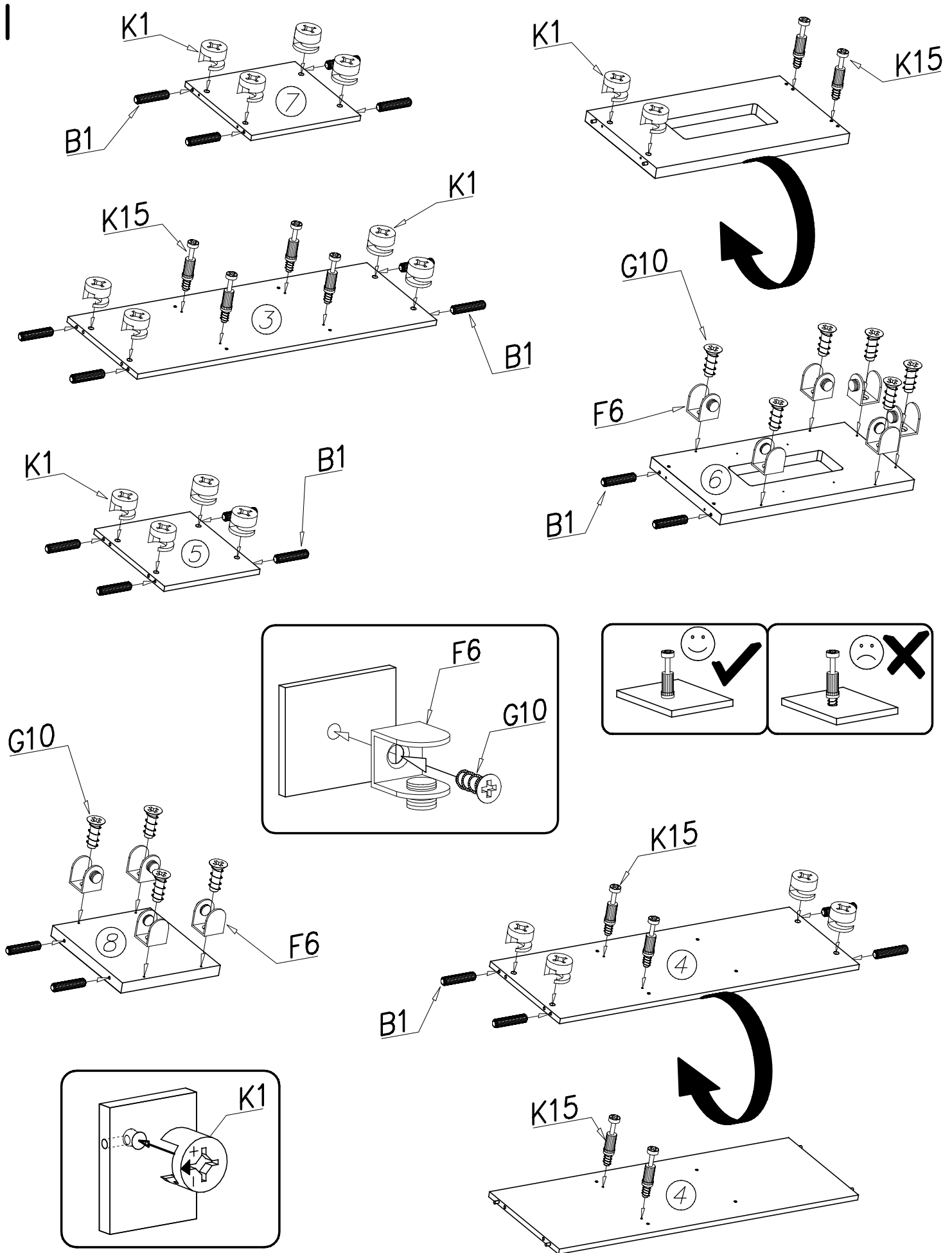




nr	L[mm]	B[mm]	T[mm]	Menge	Coll
1	402	350	16	1	1/1
2	1050	348	16	1	1/1
3	1006	348	16	1	1/1
4	1006	348	16	1	1/1
5	322	344	16	1	1/1
6	649	346	32	1	1/1
7	368	328	16	2	1/1
8	329	346	32	1	1/1
9	540	270	1	1	1/1
10	340	130	50	1	1/1
11	598	315	4	2	1/1
12	315	315	4	1	1/1

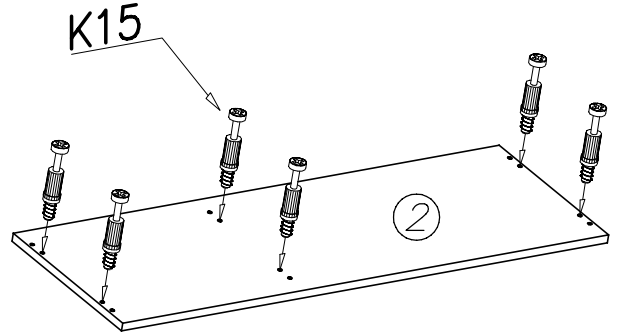
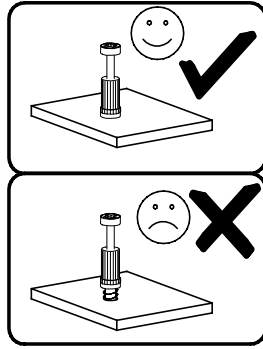
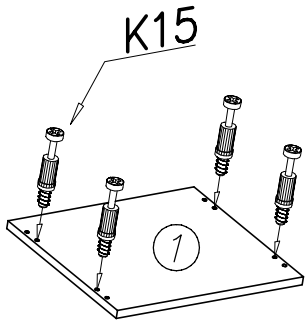


K15  20mm x...(22)	F6  x...(10)	F14  x...(2)	G22  3,5x16 x...(10)	G10  6x13 x...(10)	A6  ø7x40 x...(2)
K1  ø15x12 x...(22)	B1  ø8x35 x...(24)	G12  4x25 x...(10)	W2  x...(1)	I7  ø18 x...(22)	P15  x...(5)

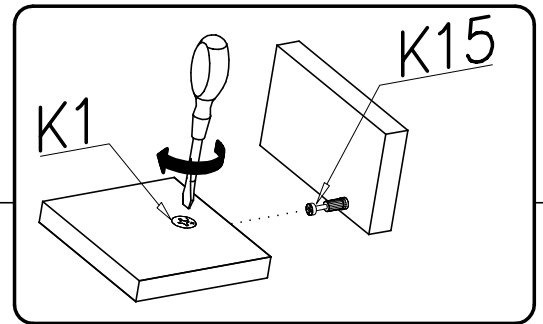
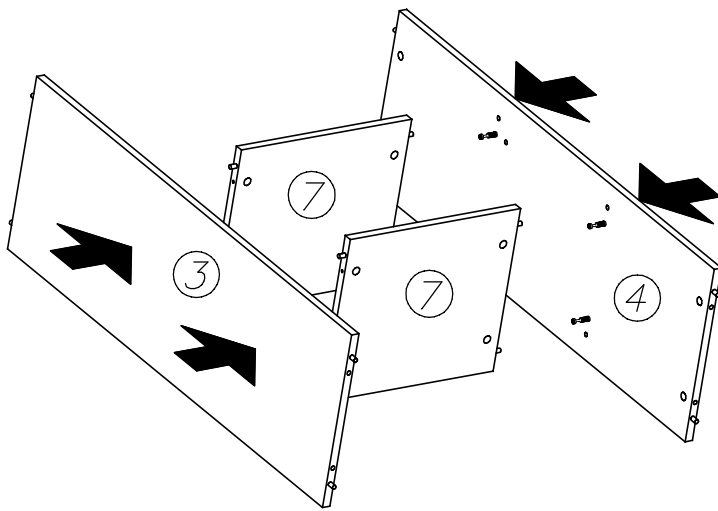




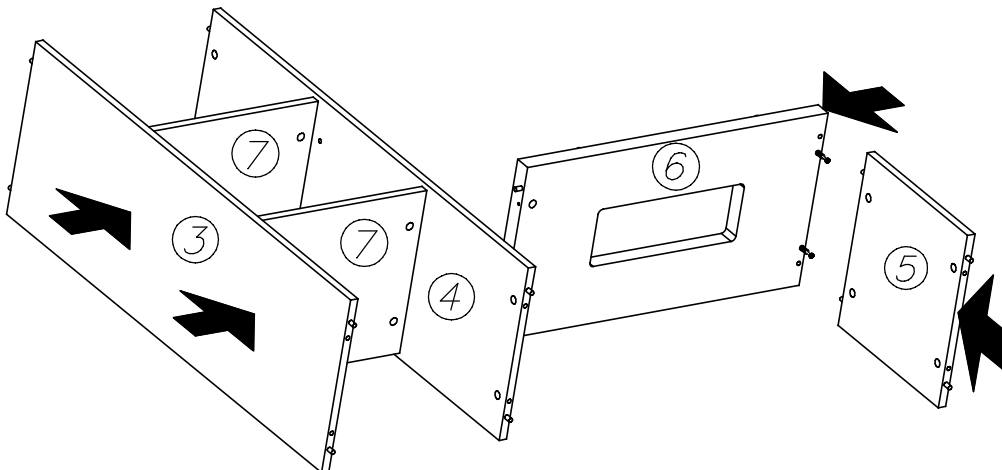
II



III

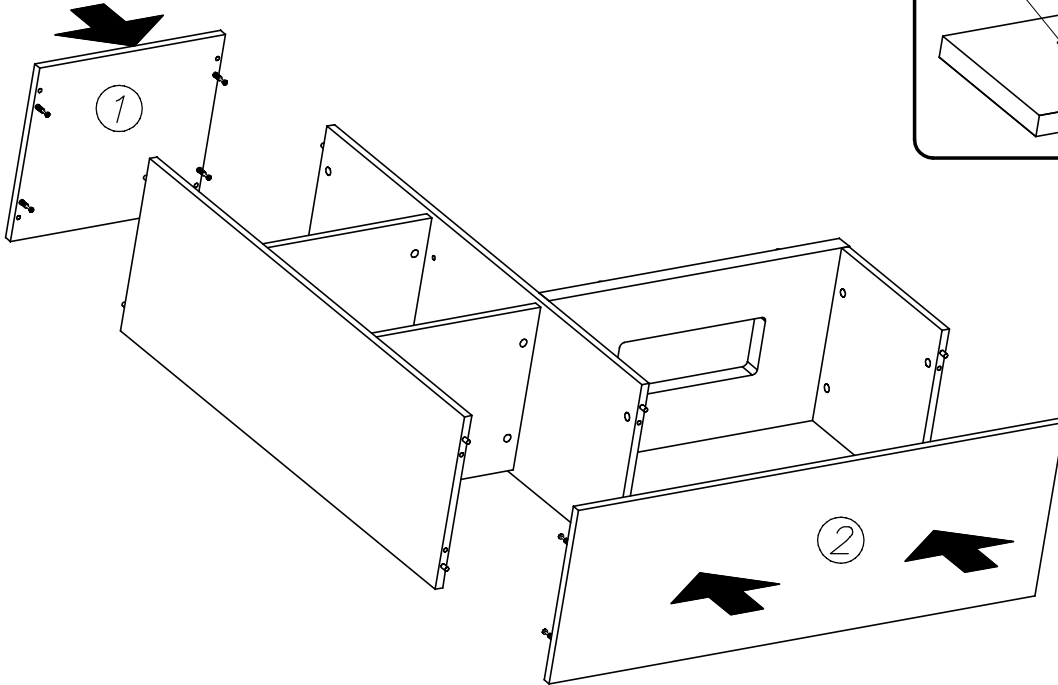


IV

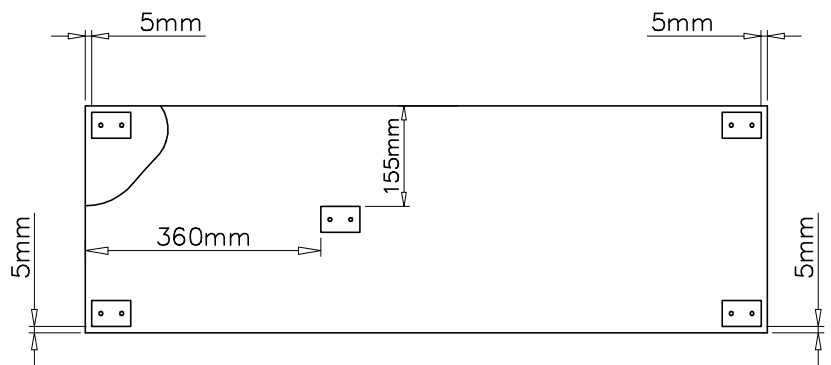
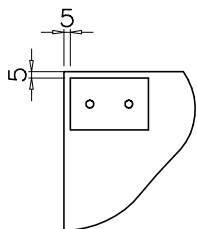
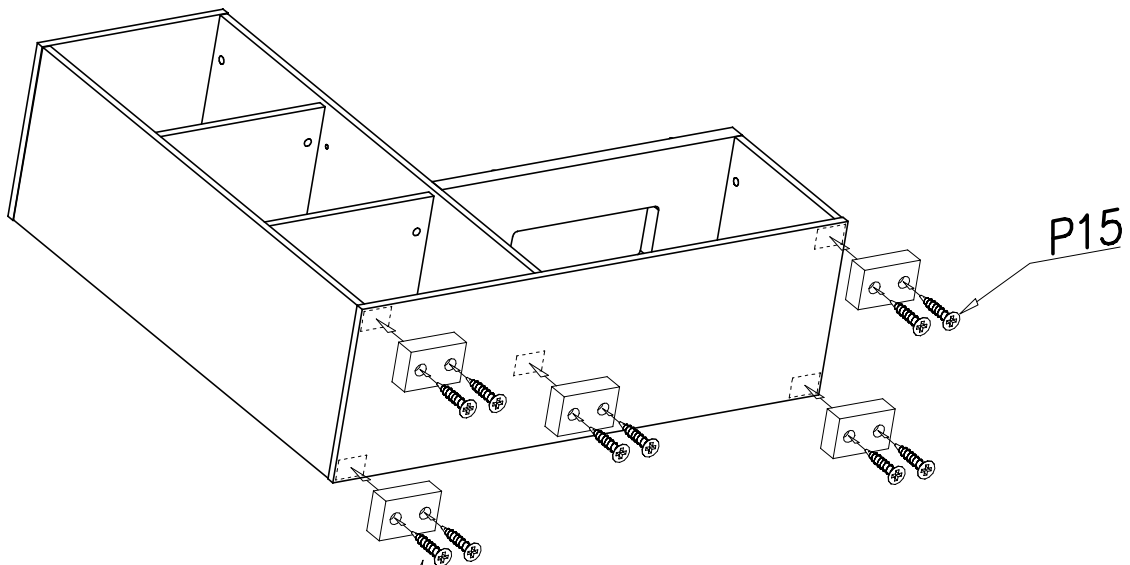




V

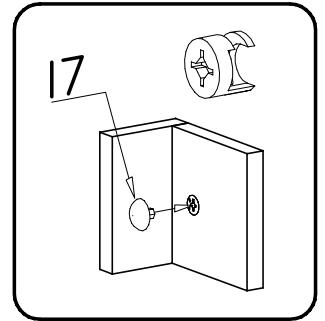
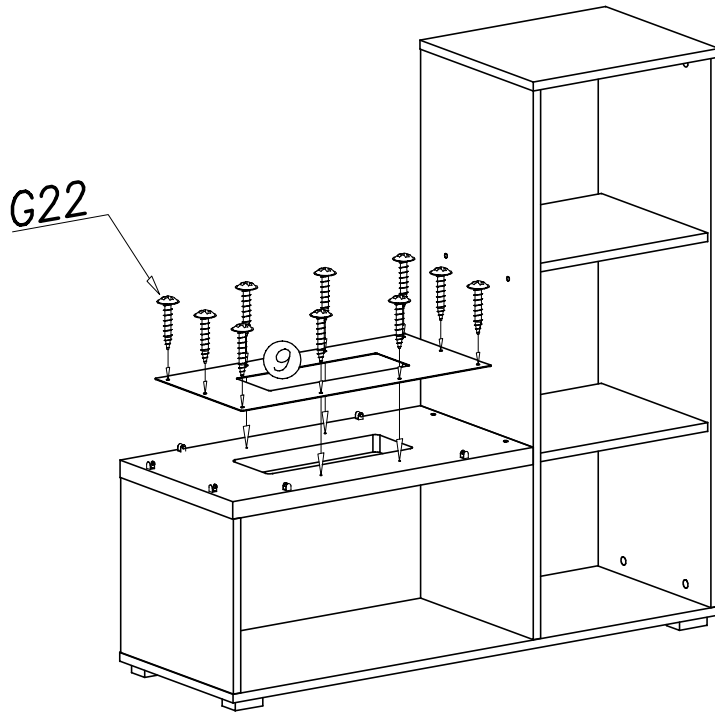


VI

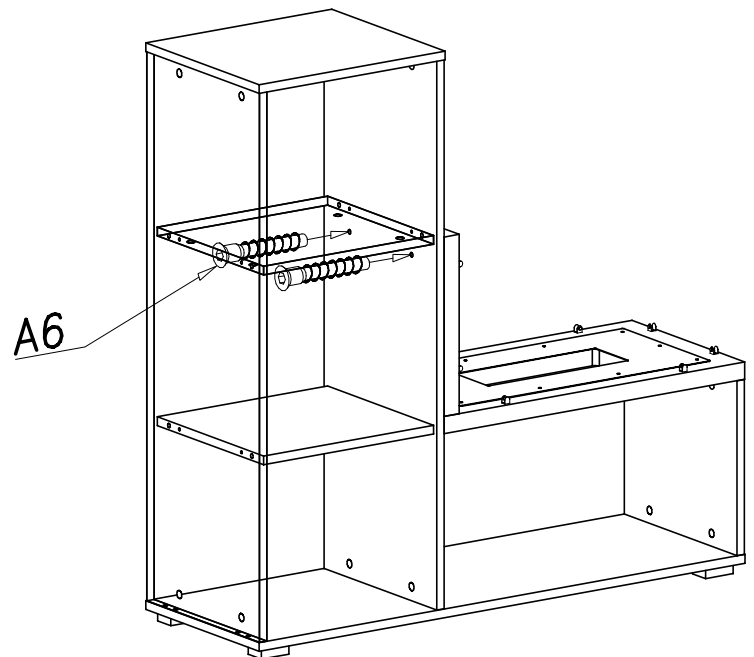
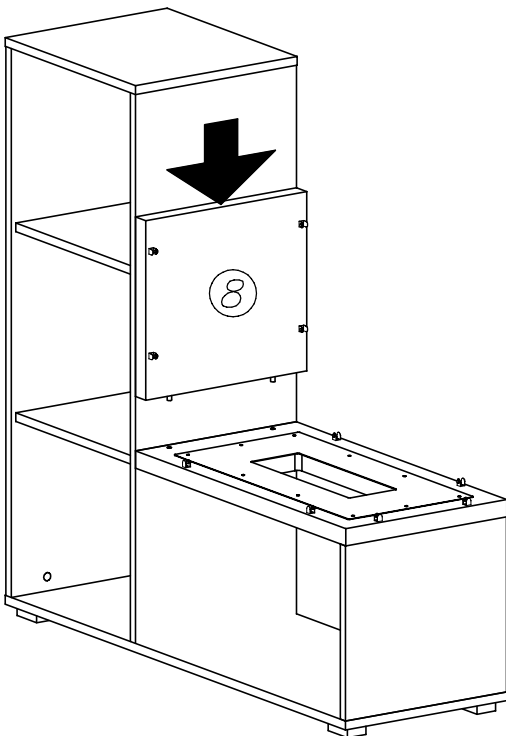




VII

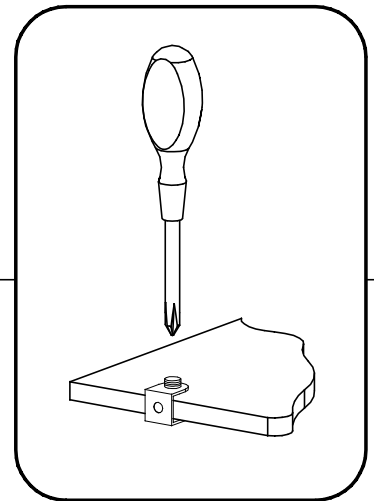
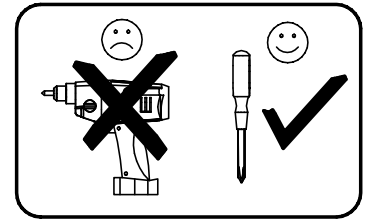
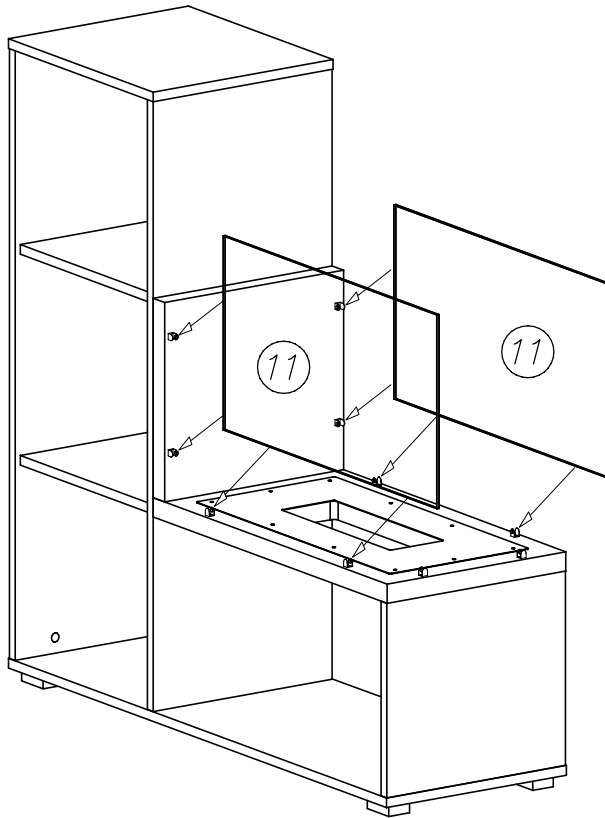


VIII

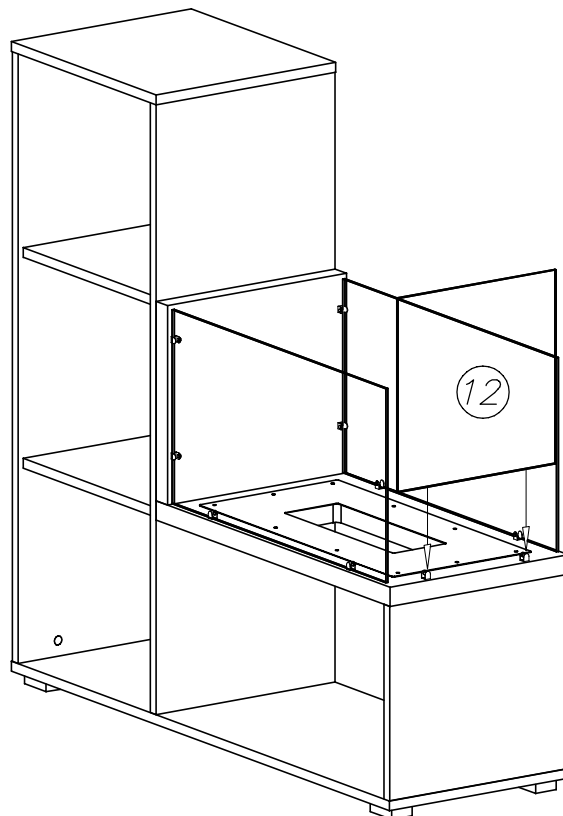




IX

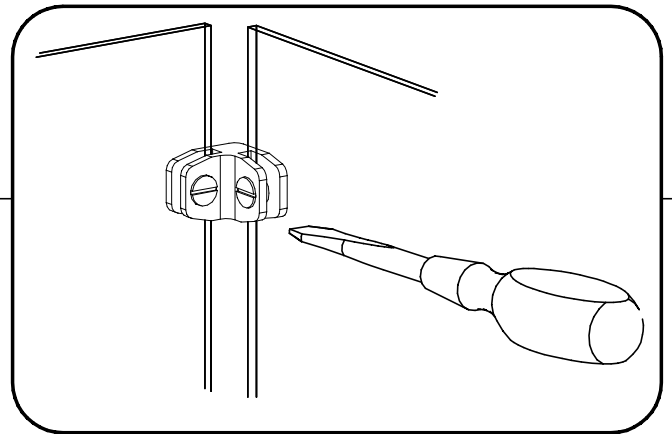
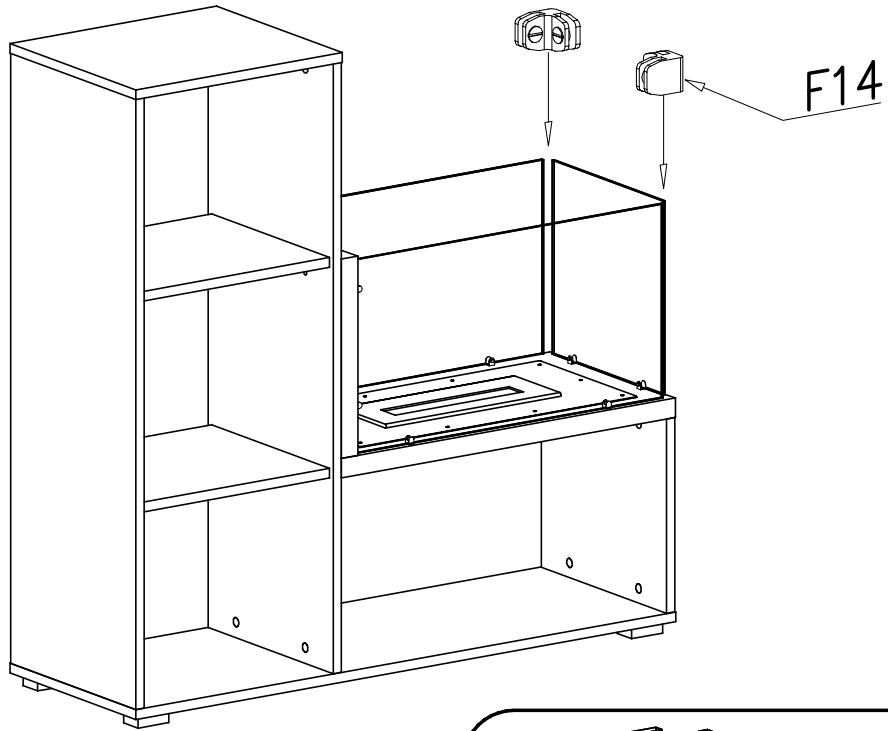


X





XI



XII

