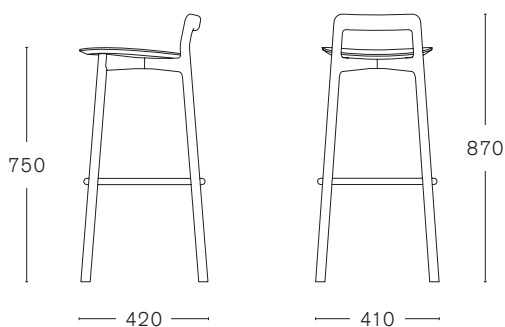


**BRANCA BAR STOOL**

design by **SAM HECHT / INDUSTRIAL FACILITY**



**TECHNICAL INFORMATION**

|                         |                             |                               |                                |
|-------------------------|-----------------------------|-------------------------------|--------------------------------|
| MAX. PER BOX<br>1 STOOL | GROSS WEIGHT<br>CA. kg 7,40 | VOLUME<br>0,19 m <sup>3</sup> | BOX SIZE<br>460 x 460 x 910 mm |
|-------------------------|-----------------------------|-------------------------------|--------------------------------|

**FINISHINGS**

ASH

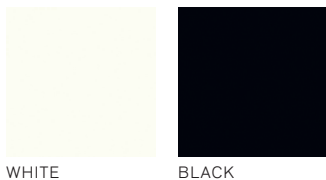


REMOVABLE UPHOLSTERY

ROHI NOVUM

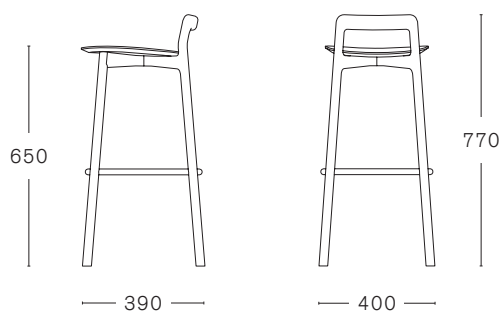


STOOL RING



**BRANCA COUNTER STOOL**

design by **SAM HECHT / INDUSTRIAL FACILITY**



**TECHNICAL INFORMATION**

|                         |                             |                               |                                |
|-------------------------|-----------------------------|-------------------------------|--------------------------------|
| MAX. PER BOX<br>1 STOOL | GROSS WEIGHT<br>CA. kg 6,80 | VOLUME<br>0,19 m <sup>3</sup> | BOX SIZE<br>460 x 460 x 910 mm |
|-------------------------|-----------------------------|-------------------------------|--------------------------------|

**FINISHINGS**

ASH



BROWN / SEAT  
NATURAL WAX

BLACK

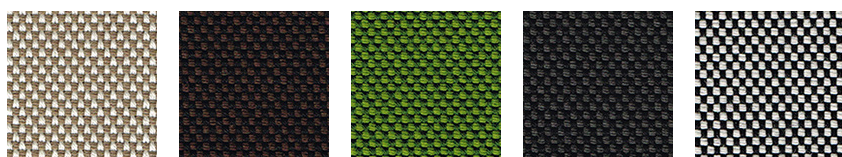
WHITE

GREEN

NATURAL

REMOVABLE UPHOLSTERY

ROHI NOVUM



COCOS

ROSEWOOD

MOSS

LANOSO

PEPPER

STOOL RING



WHITE

BLACK