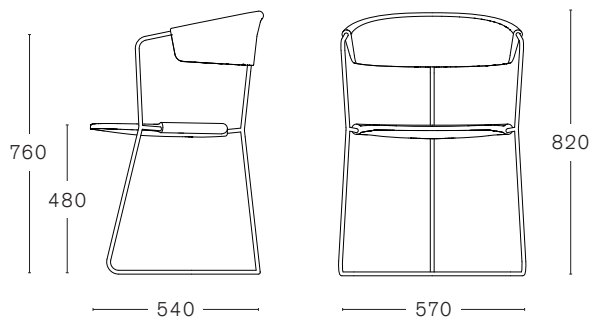


UNCINO VERSION C

design by **RONAN & ERWAN BOUROULLEC**



TECHNICAL INFORMATION

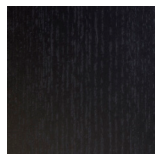
MAX. PER BOX	GROSS WEIGHT	VOLUME	BOX SIZE
1 CHAIR	CA. kg 14,00	0,33 m ³	640 x 570 x 890 mm

FINISHINGS

ASH



NATURAL



BLACK

METAL FRAME



BLACK