
Cappa
Cooker hood
Hotte
Dunstabzugshaube
Dampkap
Campana
Exaustor

ZH 6011 ZHI 611
ZH 6021 ZHI 622
ZH 9021

Istruzioni per l'uso
Operating Instructions
Mode d'emploi
Bedienungsanleitung
Gebruiksaanwijzing
Manual de instrucciones
Manual de instruções

.....



.....

	IT
Modi d'impiego	6
Manutenzione e pulizia della cappa	7
<i>Filtro antigrasso in fibra sintetica</i>	<i>7</i>
<i>Filtro antigrasso sintetico sottile</i>	<i>7</i>
<i>Filtro antigrasso combinato</i>	<i>7</i>
<i>Filtro al carbone vegetale attivo</i>	<i>7</i>
<i>Fissaggio del pannello frontale alla visiera</i>	<i>8</i>
<i>Fissaggio ai pensili laterali</i>	<i>8</i>
<i>Fissaggio a muro</i>	<i>8</i>
	GB
How to use	9
Maintenance and cleaning	10
<i>Synthetic fibre grease filter</i>	<i>10</i>
<i>Synthetic grease filter</i>	<i>10</i>
<i>Combined grease filter</i>	<i>10</i>
<i>Charcoal filter</i>	<i>10</i>
<i>Worktop illumination</i>	<i>10</i>
<i>Fitting the decor panel</i>	<i>11</i>
<i>Fixing side panels</i>	<i>11</i>
<i>Wall fitting</i>	<i>11</i>
	FR
Mode d'emploi	12
Entretien	13
<i>Le filtre à graisses métallique</i>	<i>13</i>
<i>Le filtre à graisses en fibre synthétique</i>	<i>13</i>
<i>Les filtres à charbon actif</i>	<i>13</i>
<i>L'éclairage</i>	<i>13</i>
<i>Nettoyage</i>	<i>13</i>
<i>Fixation du panneau frontal à l'auvent</i>	<i>14</i>
<i>Fixation aux éléments muraux latéraux</i>	<i>14</i>
<i>Fixation murale</i>	<i>14</i>

	DE
Anwendungs- möglichkeiten	15
Wartung und Reinigung der Haube	16
<i>Fettfilter aus synthetischer Faser</i>	<i>16</i>
<i>Dünner Fettfilter aus Kunststoff</i>	<i>16</i>
<i>Kombinierter Fettfilter</i>	<i>16</i>
<i>Aktivkohlefilter (nur geliefert für Umlufthauben)</i>	<i>16</i>
<i>Befestigung der Frontplatte an dem Schwadenschirm</i>	<i>17</i>
<i>Befestigung an seitlichen Hängemöbel</i>	<i>17</i>
<i>Wandbefestigung</i>	<i>17</i>
	NL
Gebruiks- aanwijzing	18
Onderhoud en reiniging	19
<i>Antivetfilter in kunstvezel</i>	<i>19</i>
<i>Dunne antivetfilter in kunstvezel</i>	<i>19</i>
<i>Gemengde antivetfilter</i>	<i>19</i>
<i>Filter van actieve vegetale koolstof</i>	<i>19</i>
<i>Bevestiging van het frontpaneel op de frontplaat</i>	<i>20</i>
<i>Bevestiging aan de hangmeubels op zij</i>	<i>20</i>
<i>Bevestiging aan de muur</i>	<i>20</i>
	ES
Modo de empleo	21
Mantenimiento y limpieza del aparato	22
<i>Filtro antigrasa sintético</i>	<i>22</i>
<i>Filtro antigrasa sintético sutil</i>	<i>22</i>
<i>Filtro antigrasa combinado</i>	<i>22</i>
<i>Filtro de carbón vegetal activo</i>	<i>22</i>
<i>Fijación del panel frontal a la visera</i>	<i>23</i>
<i>Fijación a los armarios de los laterales</i>	<i>23</i>
<i>Fijación al muro</i>	<i>23</i>

.....

	PT
Modo de emprego	24
Manutenção e limpeza do exaustor.	25
<i>Filtro anti-gordura em fibra sintética</i>	<i>25</i>
<i>Filtro anti-gordura sintético fino</i>	<i>25</i>
<i>Filtro anti-gordura combinado</i>	<i>25</i>
<i>Filtro a carvão vegetetal activo.</i>	<i>25</i>
<i>Fixagem do painel frontal à viseira</i>	<i>26</i>
<i>Fixagem aos móveis suspensos laterais</i>	<i>26</i>
<i>Fixagem à parede</i>	<i>26</i>

This cookerhood is suitable for recirculation or extraction and it is convertible to either function by the movement of a lever.

How to use

Use in external evacuation (ducted) version

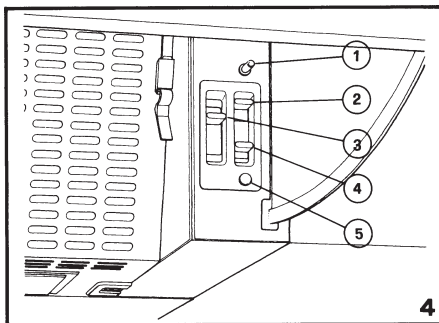
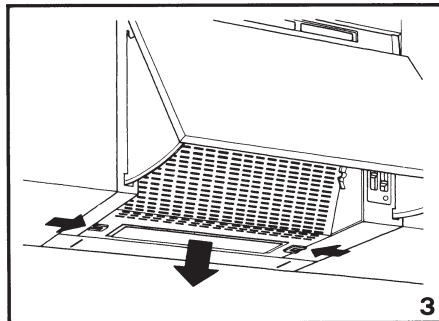
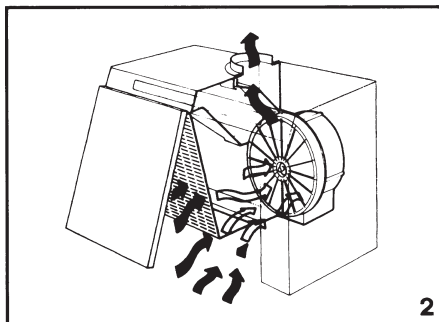
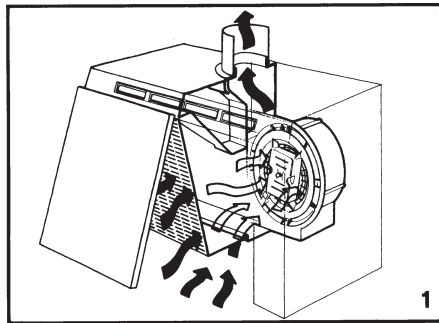
The cooking fumes are passed to the atmosphere through a ducting system (see drawing n. 1). Connect the ducting material onto the flange; open the metal grille panel and check that the convertible lever is positioned to «DUCTING». The charcoal filter is not required when the hood is installed in the ducting cycle. To open the metal grille panel (see drawing n. 3) press inwardly on the two slider catches at each side of the grille while pulling the grille panel downwards. The grille will slide into a stop position where it will hang. To remove the grille raise the lower edge of the grille forward until the grille becomes detached from the slide mechanism.

Use in the recirculation (recycling) version

The air is passed through a charcoal filter to be purified and recirculated into the room (see drawing n. 2). Open the metal grille panel and check that the convertible lever is positioned to «RECY-CLING». Install the charcoal filter (not supplied with cookerhoods in ducted version) over the plastic grille supporting the motor and secure in position using the knurled screw supplied.

Operation

The cookerhood functions are controlled by three slide switches located on the right hand side of the hood (see drawing n. 4) operating the fan (2), fan speed (3) and worktop illumination (4). A pilot lamp (5) indicates when the hood is functioning. The concealed microswitch (1) acts as an override and will switch the hood off, whatever function is selected with the slide switches, when the fascia panel is closed. When the fascia panel is open the hood will resume working at its previous setting. To obtain the best performance it is advisable to use the top speed when frying or cooking foods with strong odour; the intermediate speed for normal cooking and the low speed when simmering or when cooking with only one pan.



Maintenance and cleaning

Regular maintenance and cleaning ensure good reliability, performance and extended working life. Special attention should be taken to keep the grease filter clean at all times. The grease filter retains the solid grease particles. It is fitted onto the reverse side of the lower grille panel and can be supplied in different materials. Maintenance of the grease filter varies according to the type of material used.

Synthetic fibre grease filter

(8/10 mm thick)

It should be washed once a month in hot water and mild detergent and should be squeezed dry, not wrung out. It should be replaced every six months.

Synthetic grease filter

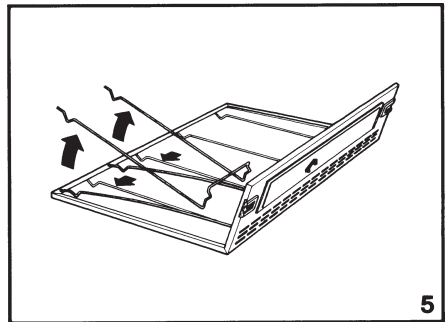
(1 mm thick) (thin filter)

This filter cannot be washed nor regenerated and should be replaced every three months.

Combined grease filter

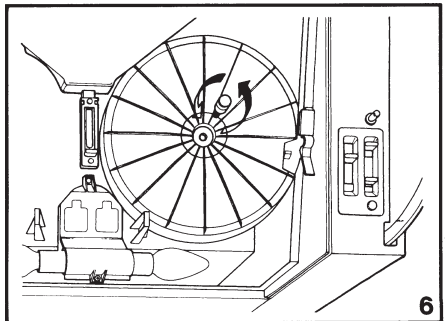
(thin synthetic filter and metal filter)

The synthetic filter cannot be washed nor regenerated and should be replaced every three months. The metal filter should be washed once a month in hot water and mild detergent and left to drain dry. It should not be bent. It is recommended to ensure effective operation of the product that the grease filters are cleaned and replaced as directed. Care must be taken to avoid a heavy accumulation of grease as it could be a possible fire hazard. To remove the grease filter first remove the grille and then remove the filter from the grille by pushing the spring wire clips to one side (see drawing n. 5).



Charcoal filter

It is used only when the cookerhood is in the recycling mode. The charcoal filter absorbs smells and odours when the air passes through it. It cannot be cleaned and should be replaced every three months. To replace the charcoal filter, open the grille panel and unscrew the knurled screw in the centre of the charcoal filter (see drawing n. 6).



Worktop illumination

To replace the light bulbs open the grille panel and change the lamp using an identical replacement to ensure a safe working of the hood.

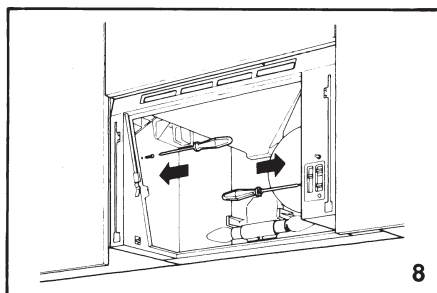
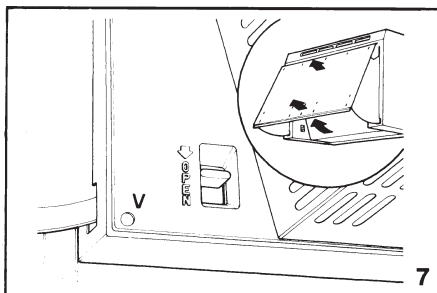
IMPORTANT

The electric plant is provided with earthing in compliance with international safety regulations. For safety, when installed the hood must be positioned at least 65 cm above the hotplate. Never leave frying pans unattended during use as overheated fats and oils may catch fire. Never do flambé cooking under a hood. The cookerhood ducting must never be connected to central heating flues, radiators or water heaters, etc.

Before connection to the mains supply ensure that the mains voltage corresponds to the voltage on the rating plate inside the hood. Before carrying out any kind of maintenance or cleaning, disconnect the hood from the mains supply.

Fitting the decor panel

To fit the decor panel onto the hood will require the removal of the complete fascia panel from the hood. Pull the panel out into the operating position, press down on the release catch located behind the door on the left side of the casing to allow the fascia panel to be removed. The decor panel should be fitted in accordance with the template instructions using the 8 n. 3,9 x 13 mm dia. screws supplied. Replace the fascia panel ensuring that it is seated correctly into the two side guides. Act on the two V screws placed inside the heads dor adjusting the vapor shield sliding (see drawing n. 7).

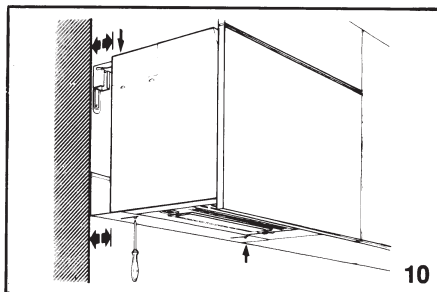
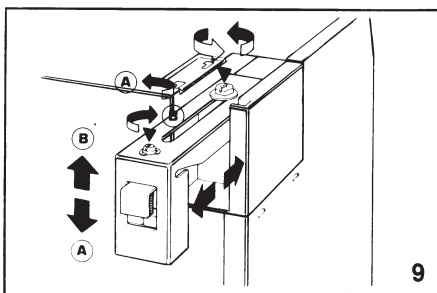


Fixing side panels

To fit to the wooden side panels drill the side panels in accordance with the template instructions supplied. Remove the fascia panel and grille. Secure the hood to the side panels with the 8 n. 3,5 x 16 mm dia. screws supplied, through the holes in the sides of the casing into the holes pre-drilled in the wooden side panels (see drawing n. 8).

Wall fitting

Use the paper template provided to mark the hole position on the wall for the bracket fixing screws. Two brackets and four screws with rawl plugs are supplied. The brackets should be fixed with the round end to the bottom. Access to the wall levelling screws is from above the hood. These are located in two extension arms at either side of the hood which fit over the wall brackets to support the hood. By loosening the screws at the front of each extension arm the hood can be aligned at the correct distance from the wall with the front of the adjoining wall cabinets. By rotating the screw at the rear of each extension arm clockwise the hood can be lowered. Adjustment in an anti-clockwise direction raises the hood, to ensure perfect alignment with wall cabinets (see drawing n. 9-10).





Quest'apparecchio é conforme alla norma europea sulla bassa tensione C.E.E. 73/23 relativa alla sicurezza elettrica e alle norme europee: C.E.E. 89/336 relativa alla compatibilità elettromagnetica e C.E.E. 93/68 relativa alla marcatura CE.

This appliance complies with European regulations on low voltages, EEC Directive 73/23 on electrical safety, and with the following European regulations: EEC Directive 89/336 on electromagnetic compatibility and EEC Directive 93/68 on EC marking.

Cet équipement est conforme à la norme européenne sur la basse tension C.E.E. 73/23 relative à la sécurité électrique et aux normes européennes: C.E.E. 89/336 relative à la compatibilité électromagnétique et C.E.E. 93/68 relative au marquage CE.

Dieses Gerät entspricht den europäischen Niederspannungsrichtlinien 73/23/EWG zur elektrischen Sicherheit, den europäischen Richtlinien 89/336/EWG zur elektromagnetischen Verträglichkeit und den Richtlinien 93/68/EWG zur CE-Kennzeichnung

Dit apparaat voldoet aan de Europese Laagspanningsrichtlijn 72/23/EEG inzake de elektrische veiligheid en aan de Europese normen 89/336/EEG inzake de elektromagnetische compatibiliteit en 93/68/EEG inzake de CE-markering.

Este aparato respeta la norma europea de baja tensión C.E.E. 73/23 que hace referencia a la seguridad eléctrica y a las normas europeas: C.E.E. 89/336 relativa a la compatibilidad electromagnética y C.E.E. 93/68 relativa a la marca CE.

Este aparelho está conforme a norma europeia sobre baixa tensão C.E.E. 73/23 referente à segurança elétrica e às normas europeias, C.E.E. 89/336 referente à compatibilidade eletromagnética e C.E.E. 93/68 inerente à marcação CE