



Neff
KI7853D30G
Integrated fridge/freezer

Predecessor:

Successor:

EAN code:
4242004162384

sales programme:

Built-in fridge/freezer
KI7853D30G
noFrost freezer

Performance and Consumption

- Energy efficiency class: A++
- Annual energy consumption (per year).
- Total net capacity: 246 litres
- Net fridge capacity: 154 litres
- Net freezer capacity: 92 litres
- Noise level dB(A) re 1 pW: 39

Design features

- Automatic defrost freezer
- Fixed hinge, SoftClose door - dampens door movement, for smooth and effortless closure
- Right hinged door, reversible
- Electronic controls for fridge and freezer
- Removable magnetic door seals - easy to clean

Food freshness system

- Vegetable box with hydrofresh with rippled base for improved air circulation
- FreshSense - constant temperature by intelligent sensor technology - constant temperature by intelligent sensor technology
- Electronic controls for fridge and freezer
- Two separate cooling circuits allow independent temperature control and prevents the transference of humidity between the fridge and freezer cavity

Key features - Fridge section

- Automatic defrost fridge
- Bright interior LED fridge light
- 4 safety glass shelves in fridge compartment of which 3 are height adjustable
- SuperCool function with automatic deactivation

Key features - Freezer section

- noFrost freezer
- Automatic defrost freezer
- 4 star freezer rating
- 4 freezer drawers
- Freezing capacity in 24 hours: 9 kg
- Maximum freezer storage time in power failure: 13 hours

Functions

- Freezer malfunction warning signal: optical and acoustical
- SuperFreeze function with automatic deactivation
- acoustical door open warning signal

Dimension and installation

- Connection value 90 W
- Dimensions: 177.2 cm H x 55.8 cm W x 54.5 cm D
- Niche Dimensions: 177.5 cm H x 56 cm W x 55 cm D

Included accessories

2 x cold accumulator, 2 x egg tray, 1 x ice cube tray

Optional accessories

Alternative colors available

Technical Data

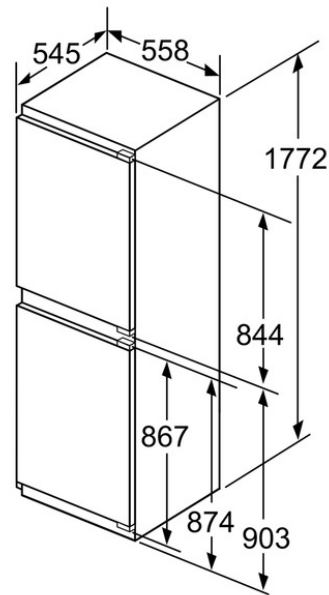
Characteristics

Construction type : Built-in
Door panel options : Not possible
Height (mm) : 1772
Width of the product (mm) : 558
Depth of the product : 545
Required niche size for installation (HxWxD) : 1775.0 x 560 x 550
Net weight (kg) : 69.0
Connection rating (W) : 90
Current (A) : 13
Door hinge : Right reversible
Voltage (V) : 220-240
Frequency (Hz) : 50
Approval certificates : VDE
Length of electrical supply cord (cm) : 230
Storage Period in Event of Power Failure (h) : 13
Number of compressors : 1
Number of independent cooling systems : 2
Interior ventilator : No
Reversible Door Hinge : Yes
Number of Adjustable Shelves in fridge compartment (Stick) : 3
Shelves for Bottles : No
EAN code : 4242004162384

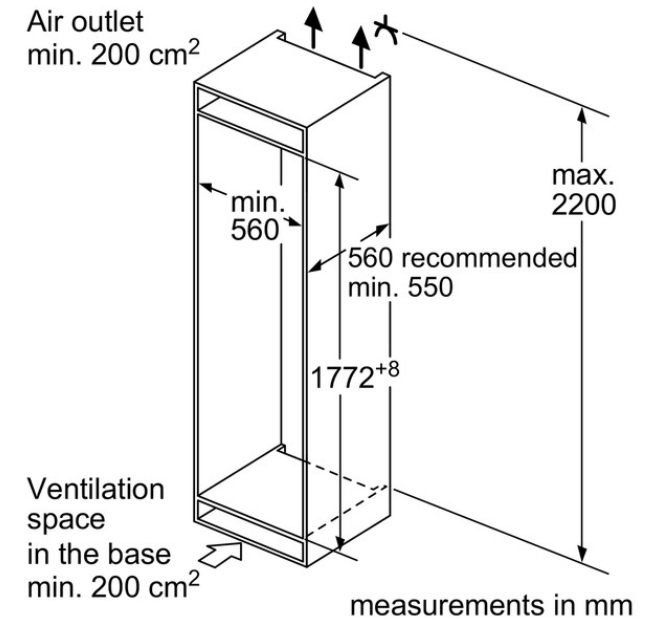
Consumption and connection features

Brand : Neff
Product name / Commercial code : KI7853D30G
Energy efficiency class - NEW (2010/30/EC) : A++
Energy consumption annual (kWh/annum) - NEW (2010/30/EC) : 232
Refrigerator Net capacity (l) - NEW (2010/30/EC) : 154
Freezer Net capacity (l) - NEW (2010/30/EC) : 92
Frost free system : Freezer
Temperature rise time (h) : 13
Freezing capacity (kg/24h) - NEW (2010/30/EC) : 9
Climate class : SN-ST
Noise level (dB(A) re 1 pW) : 39
Installation type : Full-integrated

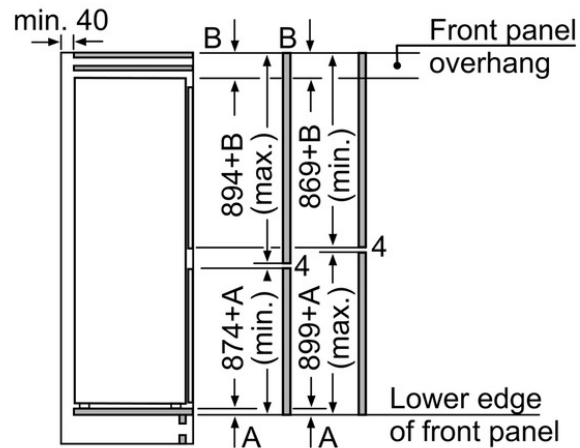
Built-in fridge/freezer
KI7853D30G
noFrost freezer



measurements
in mm



measurements
in mm



The specified unit door dimensions
are valid for a door gap of 4 mm.

measurements in mm