



Siemens  
KI87VVS30G  
Built-in fridge-freezer combination

Predecessor:

Successor:

EAN code:  
4242003694275

sales programme:

## iQ300

**Built-in fridge freezer**  
**KI87VVS30G**  
**Low frost**

### Performance and Consumption

- Energy efficiency class: A++
- Annual energy consumption 227 kWh (per year).
- Total net capacity: 272 litres
- Net fridge capacity: 209 litres
- Net freezer capacity: 63 litres
- Noise level dB(A) re 1 pW: 38

### Design features

- Manual defrost freezer
- Sliding hinge
- Right hinged door, reversible
- Electronic control (LED chain)
- Removable magnetic door seals - easy to clean

### Food freshness system

- 1 vegetable/salad container with rippled base for improved air circulation
- VitaControl - constant temperature by intelligent sensor technology constant temperature by intelligent sensor technology
- Electronic control (LED chain)
- 1 compressor/1 cooling circuit

### Key features - Fridge section

- Automatic defrost in fridge section
- Bright interior LED fridge light
- 5 safety glass shelves in fridge compartment of which 4 are height adjustable

### Key features - Freezer section

- Low frost
- Manual defrost freezer
- 4 star rating
- 2 freezer drawers
- Freezing capacity in 24 hours: 3 kg
- Maximum freezer storage time in power failure: 26 hours
- 2 x cold accumulator, 2 x egg tray, 1 x ice cube tray

### Functions

- superFreeze function with automatic deactivation

### Dimension and installation

- easy Installation
- Connection value 90 W
- Dimensions: 177.2 cm H x 54.1 cm W x 54.5 cm D
- Niche Dimensions: 177.5 cm H x 56 cm W x 55 cm D
- Climate class SN-T (suitable for ambient temperatures between 10 to 43°C)

### Included accessories

2 x cold accumulator, 2 x egg tray, 1 x ice cube tray

### Optional accessories

### Alternative colors available

### Technical Data

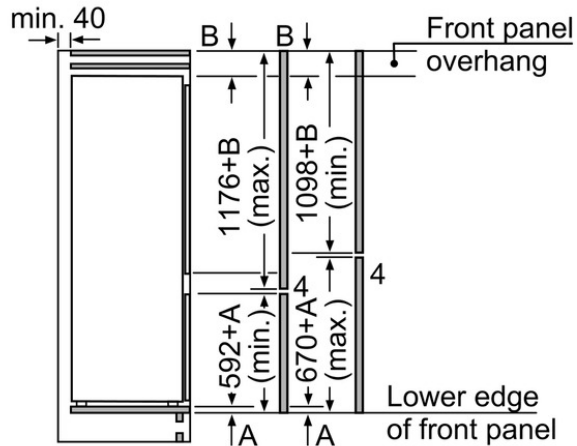
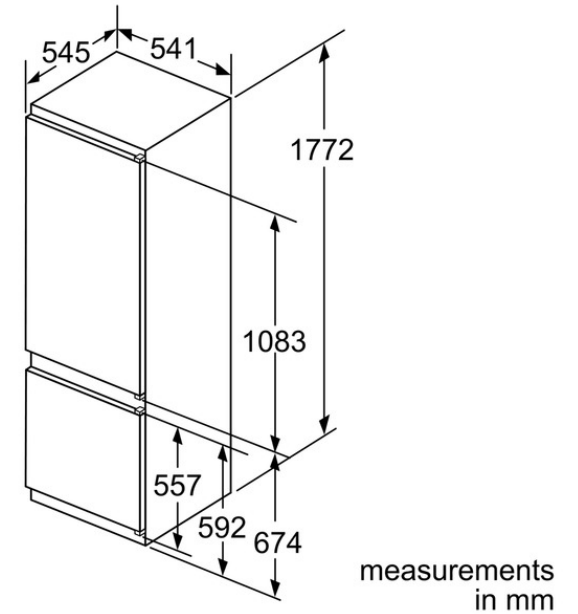
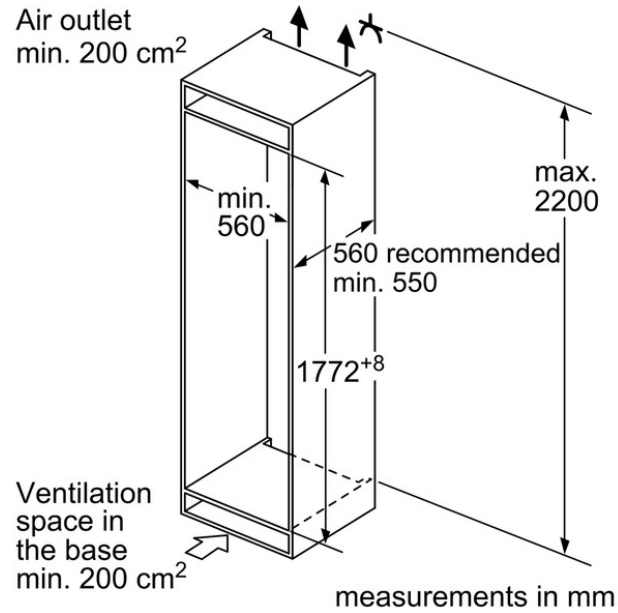
#### Characteristics

Design : Built-in  
Door panel options : Not possible  
Height (mm) : 1772  
Width (mm) : 541  
Depth (mm) : 545  
Required niche size for installation (HxWxD) : 1775.0 x 560 x 550  
Net weight (kg) : 61.0  
Connection rating (W) : 90  
Current (A) : 13  
Door hinge : Right reversible  
Nominal power (kW) : 220-240  
Frequency (Hz) : 50  
Approval certificates : VDE  
Length of electrical supply cord (cm) : 230  
Storage Period in Event of Power Failure (h) : 26  
Number of compressors : 1  
Number of independent cooling systems : 1  
Interior ventilator : No  
Reversible Door Hinge : Yes  
Number of Adjustable Shelves in fridge compartment (Stick) : 4  
Shelves for Bottles : No  
EAN code : 4242003694275

#### Consumption and connection features

Brand : Siemens  
Product name / Commercial code : KI87VVS30G  
Energy efficiency : A++: very efficient  
Energy consumption annual (kWh/annum) - NEW (2010/30/EC) : 227  
Refrigerator Net capacity (l) - NEW (2010/30/EC) : 209  
Freezer Net capacity (l) - NEW (2010/30/EC) : 63  
Frost free system : No  
Temperature rise time (h) : 26  
Freezing capacity (kg/24h) - NEW (2010/30/EC) : 3  
Climate class : SN-T  
Noise level (dB) : 38  
Installation type : Built-in

iQ300  
 Built-in fridge freezer  
 KI87VVS30G  
 Low frost



The specified unit door dimensions are valid for a door gap of 4 mm.

measurements in mm