



# BOSCH



Bosch  
KIV38X22GB  
Built-in automatic fridge-freezer

Predecessor:

Successor:

EAN code:  
4242002763200

sales programme:

**Serie | 2**  
**Built-in fridge-freezer**  
**KIV38X22GB**

- Energy efficiency class: A+
- Total net capacity: 276 litres
- Net fridge capacity: 217 litres
- Net freezer capacity: 59 litres
- Noise level dB(A) re 1 pW: 40

- Design features**
- Sliding hinge
  - Right hinged door, door reversible
  - LED electronic control
  - Removable magnetic door seals - easy to clean

- Food freshness system**
- 1 compressor

- Key features - Fridge section**
- Automatic defrost fridge
  - 5 safety glass shelves in fridge compartment of which 4 are height adjustable
  - 1 vegetable/salad container with rippled base for improved air circulation

- Key features - Freezer section**
- Manual defrost freezer
  - 3 freezer drawers
  - 4 star freezer rating
  - Calendar frozen food
  - Freezing capacity in 24 hours: 6 kg
  - Maximum freezer storage time in power failure: 13 hours

- Dimension and installation**
- Climate class SN-ST (suitable for ambient temperatures between 10 to 38°C)
  - Connection value 90 W
  - Dimensions: 177.2 cm H x 54.1 cm W x 54.5 cm D
  - Niche Dimensions: 177.5 cm H x 56.2 cm W x 55 cm D

**Included accessories**

1 x butter dish

**Optional accessories**

**Alternative colors available**

**Technical Data**

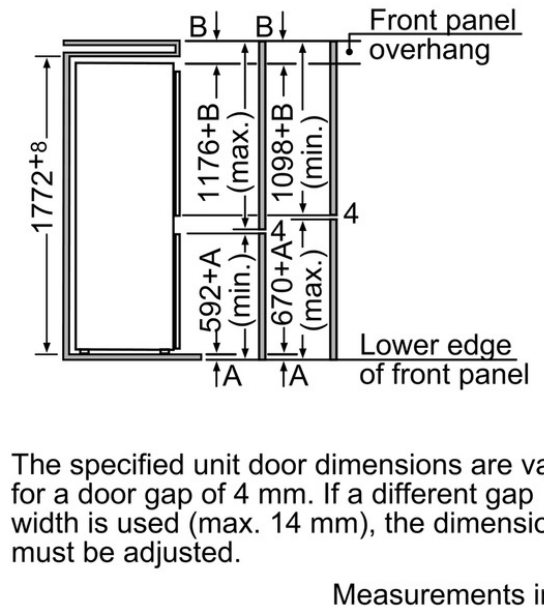
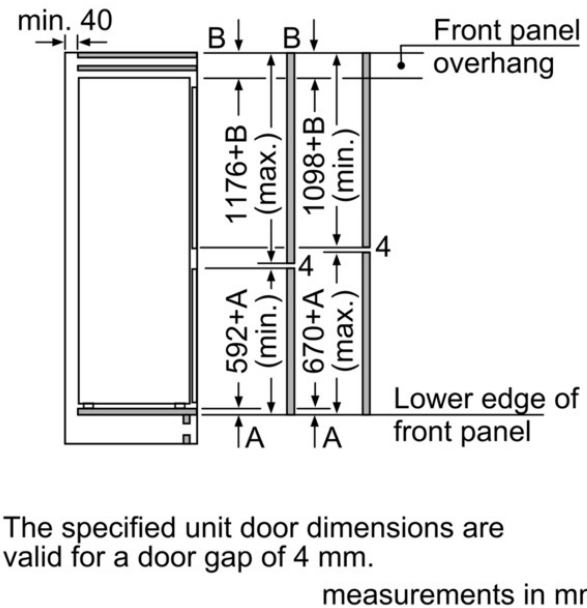
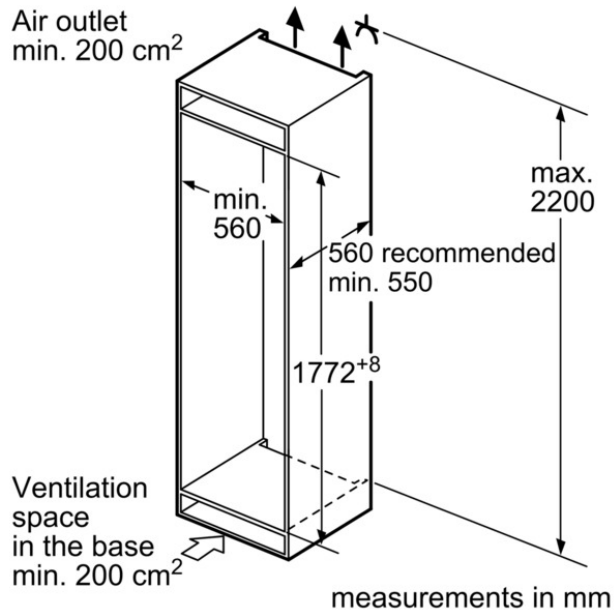
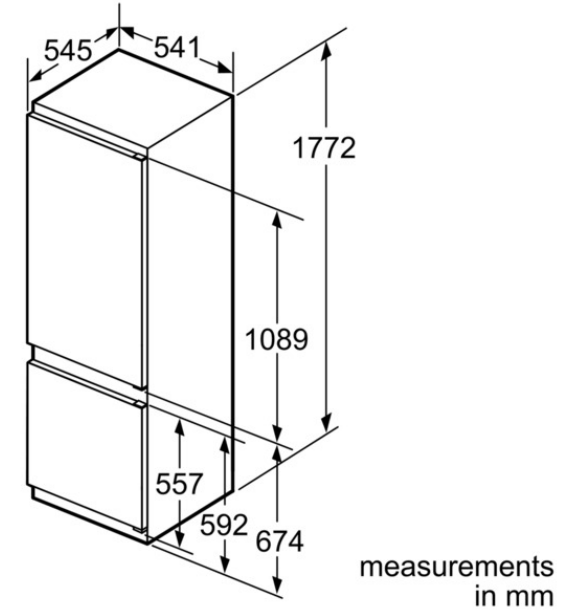
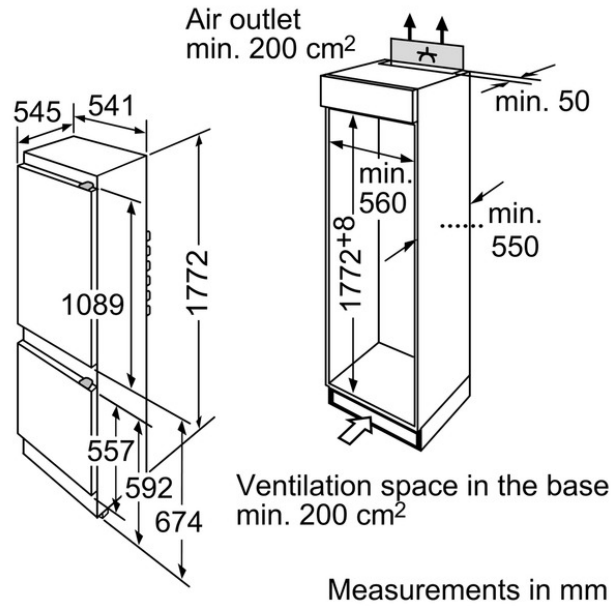
**Characteristics**  
 Construction type : Built-in  
 Door panel options : Not possible  
 Height (mm) : 1772  
 Width of the product (mm) : 541  
 Depth of the product : 545  
 Required niche size for installation (HxWxD) : 1775.0 x 562.0 x 550  
 Net weight (kg) : 57.0  
 Connection rating (W) : 90  
 Current (A) : 13  
 Door hinge : Right reversible  
 Voltage (V) : 220-240  
 Frequency (Hz) : 50  
 Approval certificates : VDE  
 Length of electrical supply cord (cm) : 230  
 Storage Period in Event of Power Failure (h) : 13  
 Number of compressors : 1  
 Number of independent cooling systems : 1  
 Interior ventilator : No  
 Reversible Door Hinge : Yes  
 Number of Adjustable Shelves in fridge compartment (Stck) : 4  
 Shelves for Bottles : No  
 EAN code : 4242002763200

**Consumption and connection features**  
 Brand : Bosch  
 Product name / Commercial code : KIV38X22GB  
 Energy efficiency class - NEW (2010/30/EC) : A+  
 Energy consumption annual (kWh/ annum) - NEW (2010/30/EC) : 275  
 Refrigerator Net capacity (l) - NEW (2010/30/EC) : 217  
 Freezer Net capacity (l) - NEW (2010/30/EC) : 59  
 Frost free system : No  
 Temperature rise time (h) : 13  
 Freezing capacity (kg/24h) - NEW (2010/30/EC) : 6  
 Climate class : SN-ST  
 Noise level (dB(A) re 1 pW) : 40  
 Installation type : Full-integrated



# BOSCH

Serie | 2  
Built-in fridge-freezer  
KIV38X22GB



The specified unit door dimensions are valid for a door gap of 4 mm.

The specified unit door dimensions are valid for a door gap of 4 mm. If a different gap width is used (max. 14 mm), the dimensions must be adjusted.