

NORTHERN LIGHTS

CAINE

PENDANT

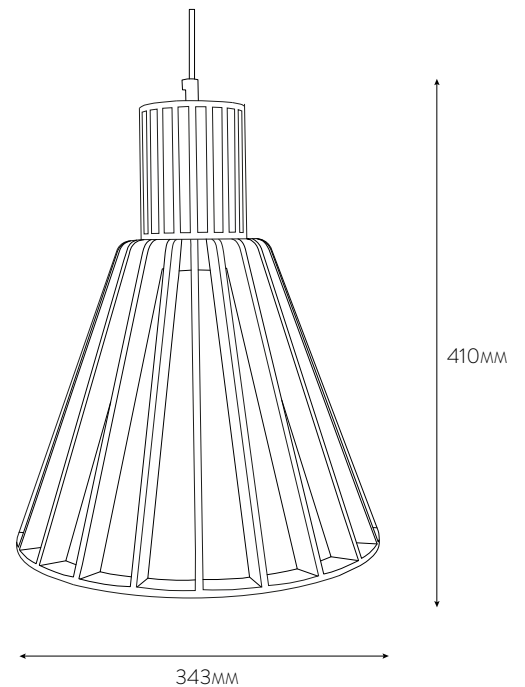


PRODUCT CODE: CAINE PENDANT NB753

From our Juno range, this is a simple yet elegant pendant. The timber fins on the shade part of the pendant are more widely spaced than the norm in the Juno range thus allowing maximum light dispersal and the inner fabric shade gently diffuses the light. This pendant looks amazing on its own, but when grouped together or arranged in a pattern, a collection of these pendants can create a stunning centrepiece to any design scheme.

All of the products in our Juno range are constructed using real wood veneers which can be stained to a variety of colours to suit your scheme.

Please contact us for further details.



MAX WATTAGE : 1 X 40W
LAMP HOLDER TYPE : E27
RECOMMENDED LAMP : LED