

# NORTHERN LIGHTS

## TRITONE

### FLOOR LAMP

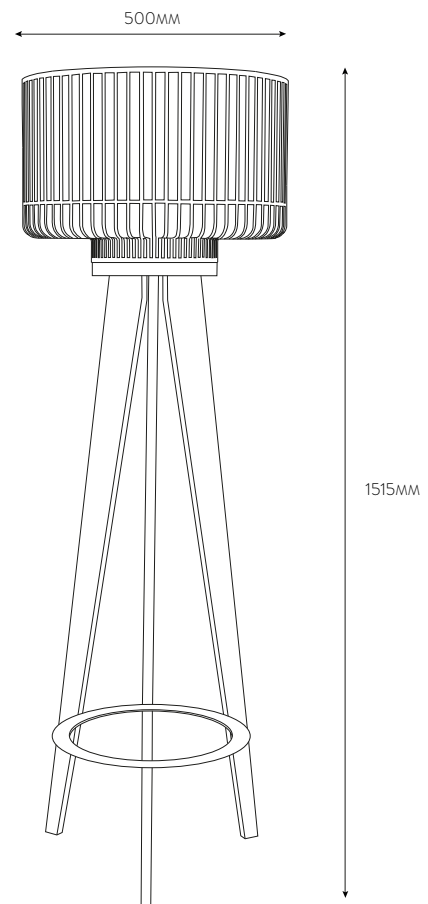


PRODUCT CODE: TRITONE PENDANT NE573

From the Juno range, this tripod floor lamp is definitely a statement piece. The blackened steel legs rise to support the large timber fin shade with its inner diffuser.

All of the products in our Juno range are constructed using real wood veneers which can be stained to a variety of colours to suit your scheme.

Please contact us for further details.



MAX WATTAGE : 1 X 40W  
LAMP HOLDER TYPE : E27  
RECOMMENDED LAMP : LED