

# NORTHERN LIGHTS

## AURELIA

### WALL LIGHT

PRODUCT CODE: AURELIA WALL NA542

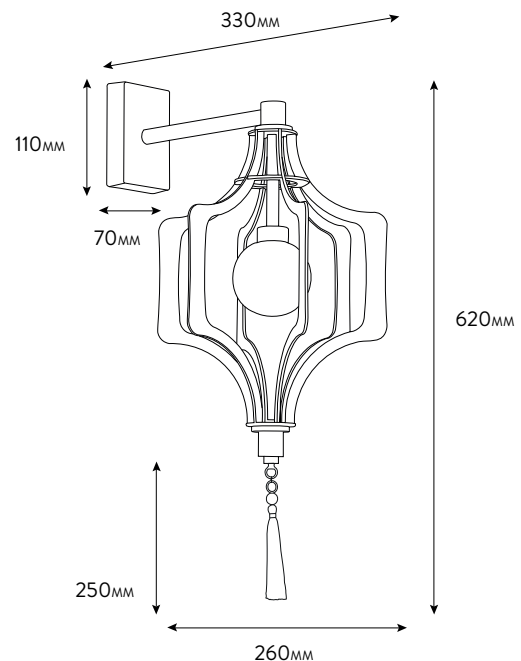
Inspired by textile designs from the 1950s and then abstracting the shape into a fluid Art Nouveau form, the Aurelia range is available as both pendant and wall fittings.

Laser cut in mild steel for rigidity and strength, Aurelia is available in two finishes: Tarnished Gold, a distressed dark umber finish applied to a satin brass base coat and finished with an eggshell lacquer and Flamed Blackened Steel, an industrial yet painterly finish with different depths of tone and elements of bronze within the patina.

The smoke tinted sphere in warm brown and grey hues complements the metal finishes. An opulent silk tassel can be added to the design to soften the silhouette.

The Aurelia Wall light is available with or without a tassel and has a projection of 330mm. See line drawings for dimensions.

Bespoke finish options are available. Please contact us for details.



Gold patina finish: NA542/GO  
Gold patina finish with tassel: NA542/GO\_T  
Flamed blackened steel finish: NA542/ST  
Flamed blackened steel finish with tassel: NA542/ST\_T

MAX WATTAGE : 1 X 40W  
LAMP HOLDER TYPE : E27  
RECOMMENDED LAMP : LED FILAMENT

*Flamed blackened steel (small) Tarnished gold (main)*

