

# NORTHERN LIGHTS

## AURELIA

### MEDIUM PENDANT



PRODUCT CODE: AURELIA PENDANT NB758

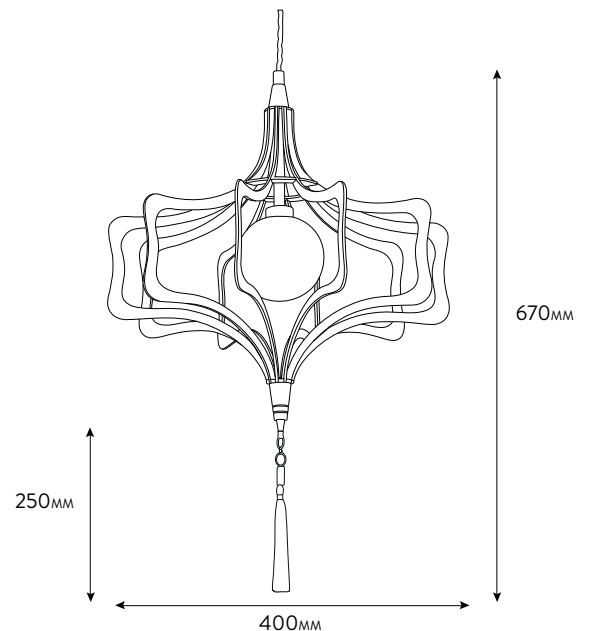
Inspired by textile designs from the 1950s and then abstracting the shape into a fluid Art Nouveau form, the Aurelia range is available as both pendant and wall fittings.

Laser cut in mild steel for rigidity and strength, Aurelia is available in two finishes: Tarnished Gold, a distressed dark umber finish applied to a satin brass base coat and finished with an eggshell lacquer and Flamed Blackened Steel, an industrial yet painterly finish with different depths of tone and elements of bronze within the patina.

The smoke tinted sphere in warm brown and grey hues complements the metal finishes. An opulent silk tassel can be added to the design to soften the silhouette.

The Aurelia pendant is available in two different sizes: 1300mm diameter and 400mm diameter and with or without the decorative tassel.

Bespoke finish options available. Please contact us for details.



Gold patina finish NB758/M\_GO  
Gold patina finish with tassel NB758/M\_GO\_T  
Flamed blackened steel finish NB758/M\_ST  
Flamed blackened steel finish with tassel NB758/M\_ST\_T

MAX WATTAGE : 1 X 40W  
LAMP HOLDER TYPE : E27  
RECOMMENDED LAMP : LED FILAMENT

*Flamed blackened steel (small) Tarnished gold (main)*