

NORTHERN LIGHTS

WESTPORT, WALL

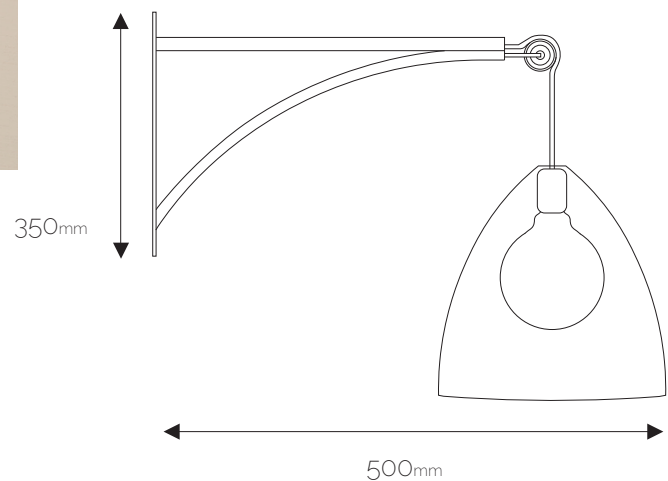
SPECIFICATION SHEET



PRODUCT CODE: BAR/WL8/P2/DBZ
FINISH: P2/DBZ DEEP BRONZE
GLASS: CLEAR
SHADE: NCG72/L
HEIGHT: 350mm
DIAMETER: n/a
PROJECTION: 500mm
MAX WATTAGE: 1 x 40W
RECOMMENDED LAMP: LED FILAMENT
LAMP TYPE: E27 / ES

MORE INFO:

Deep bronze fixed pulley wall light.



**BAR &
RESTAURANT**