

NORTHERN LIGHTS

VERONA, TABLE

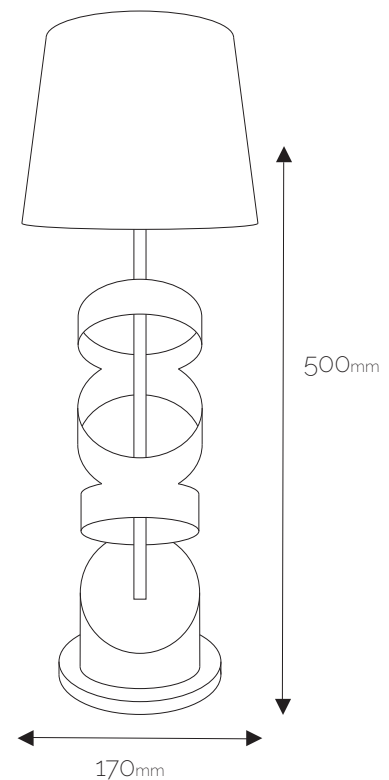
SPECIFICATION SHEET



MORE INFO:

Deep bronze laser cut table lamp .

PRODUCT CODE: BAR/TL 16
FINISH: P2/DBZ DEEP BRONZE
PLUG: 3 PIN UK SQUARE
SHADE: NOT INCLUDED
HEIGHT: 500mm
DIAMETER: 170
LENGTH: n/a
MAX WATTAGE: 1 x 40W
RECOMMENDED LAMP: xx
LAMP TYPE: ES /E27



**BAR &
RESTAURANT**