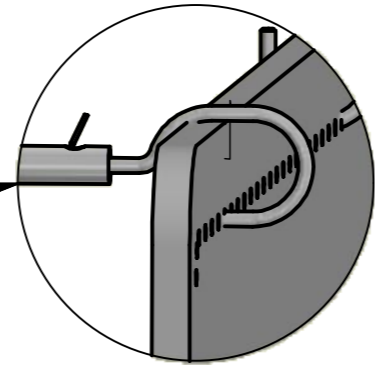


# Combo Cross

Assembly instructions v.1.0



Rotate to assembly hook  
A (1:2)

