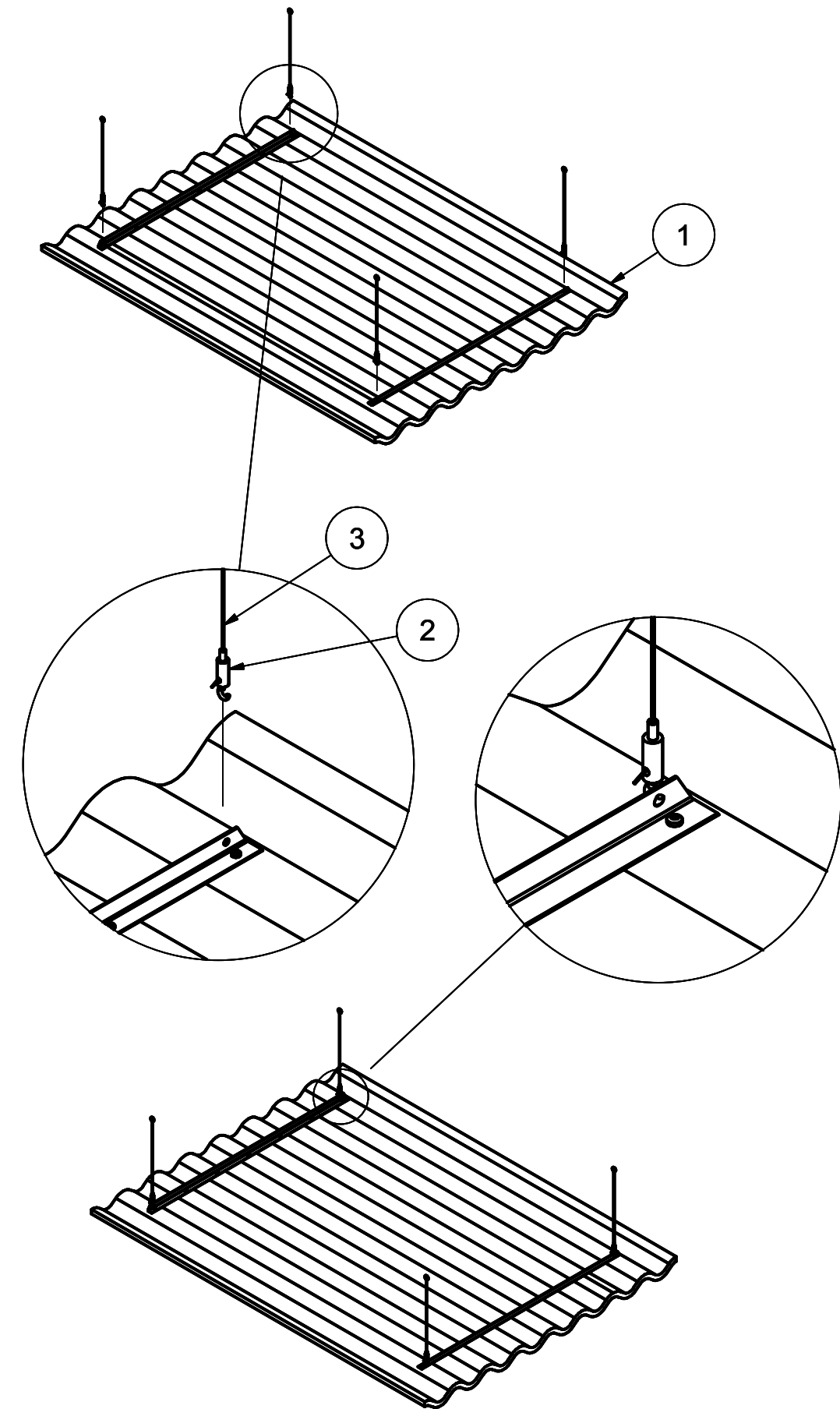
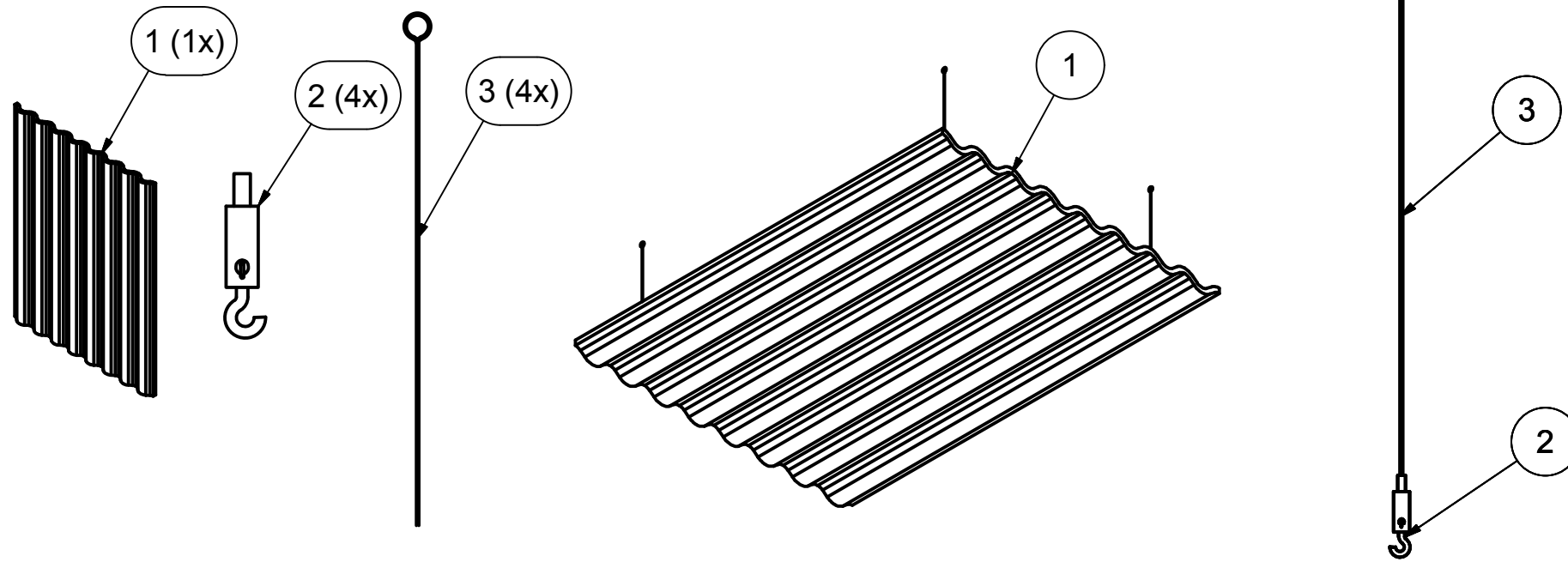
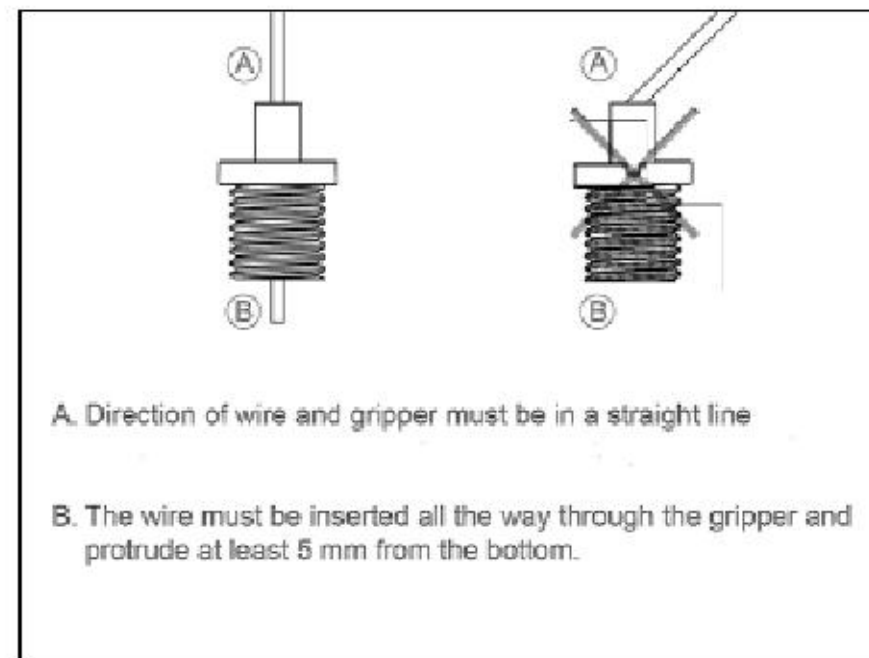
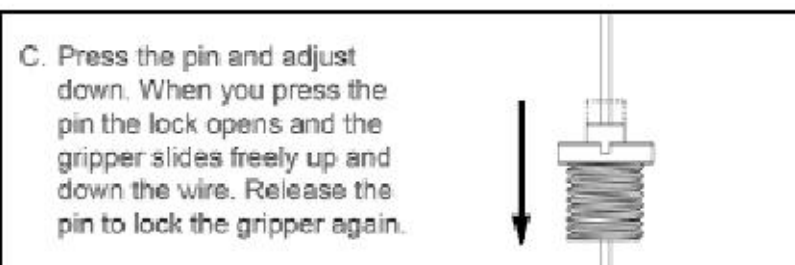
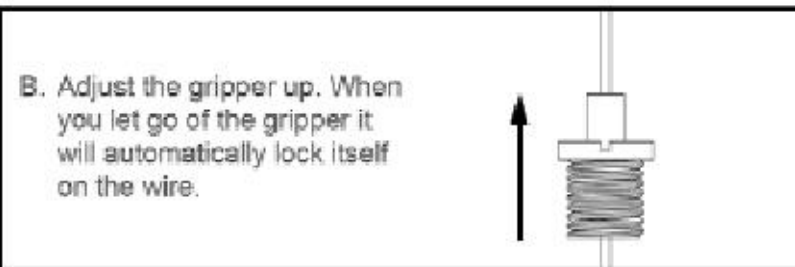
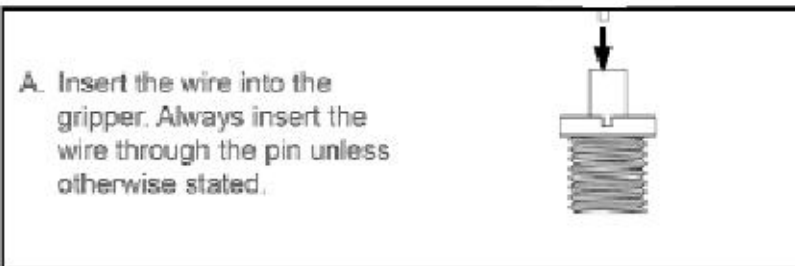


Assembly Instruction

Scala Roof



A



Note: The suspension should be straight, not angled wires