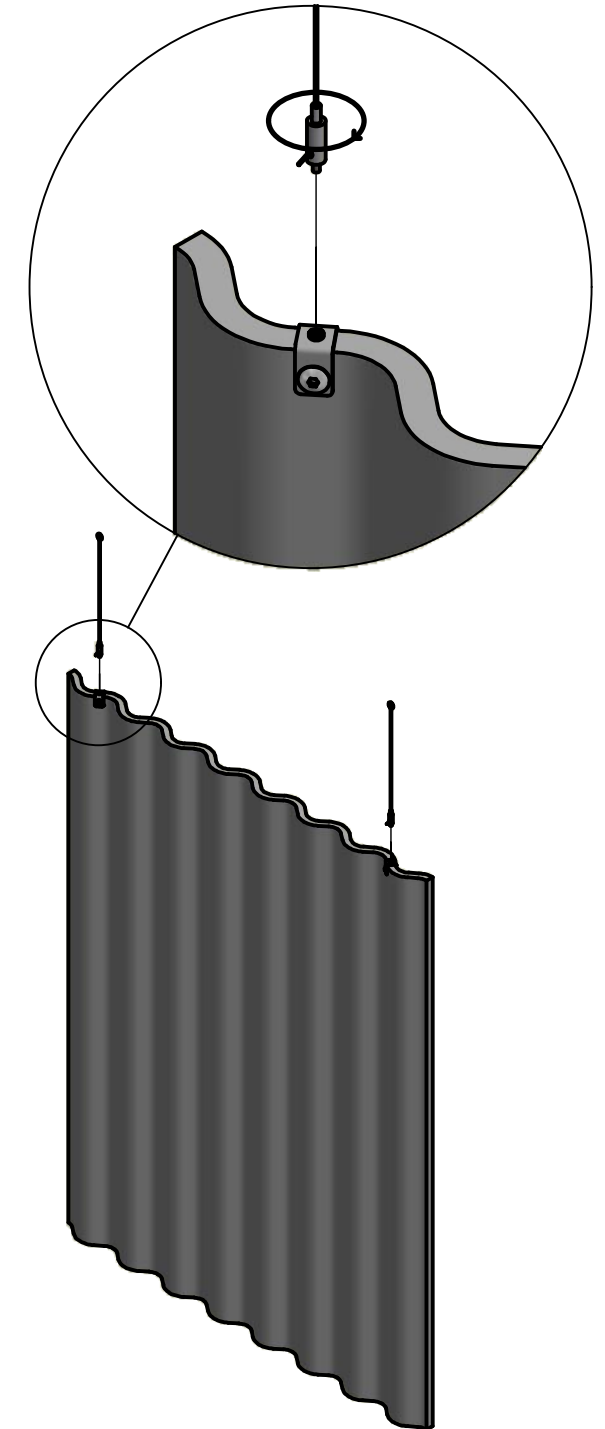
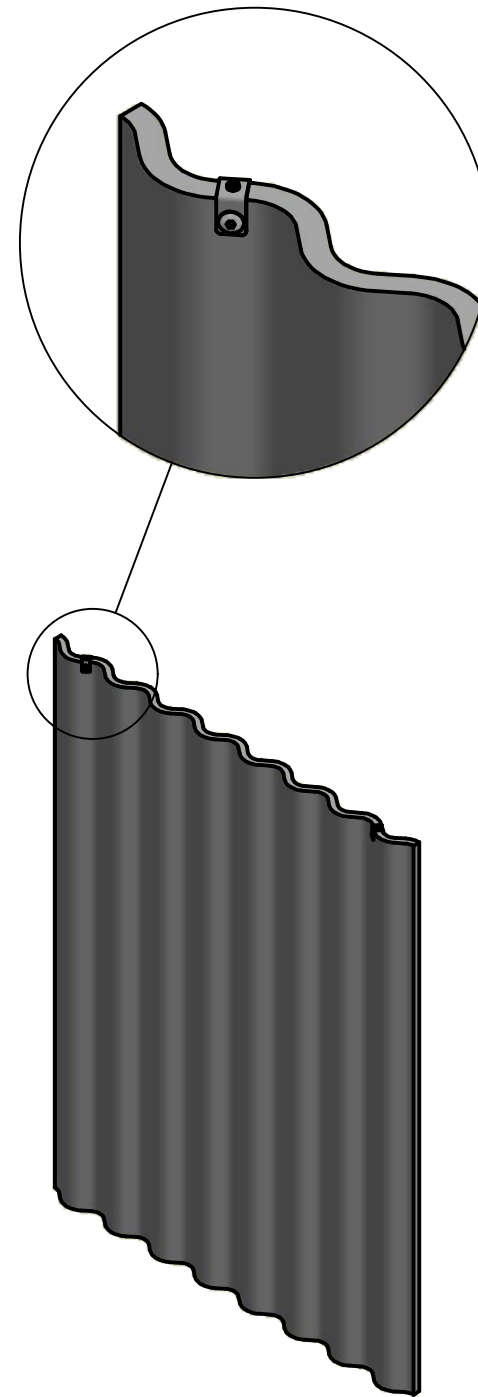
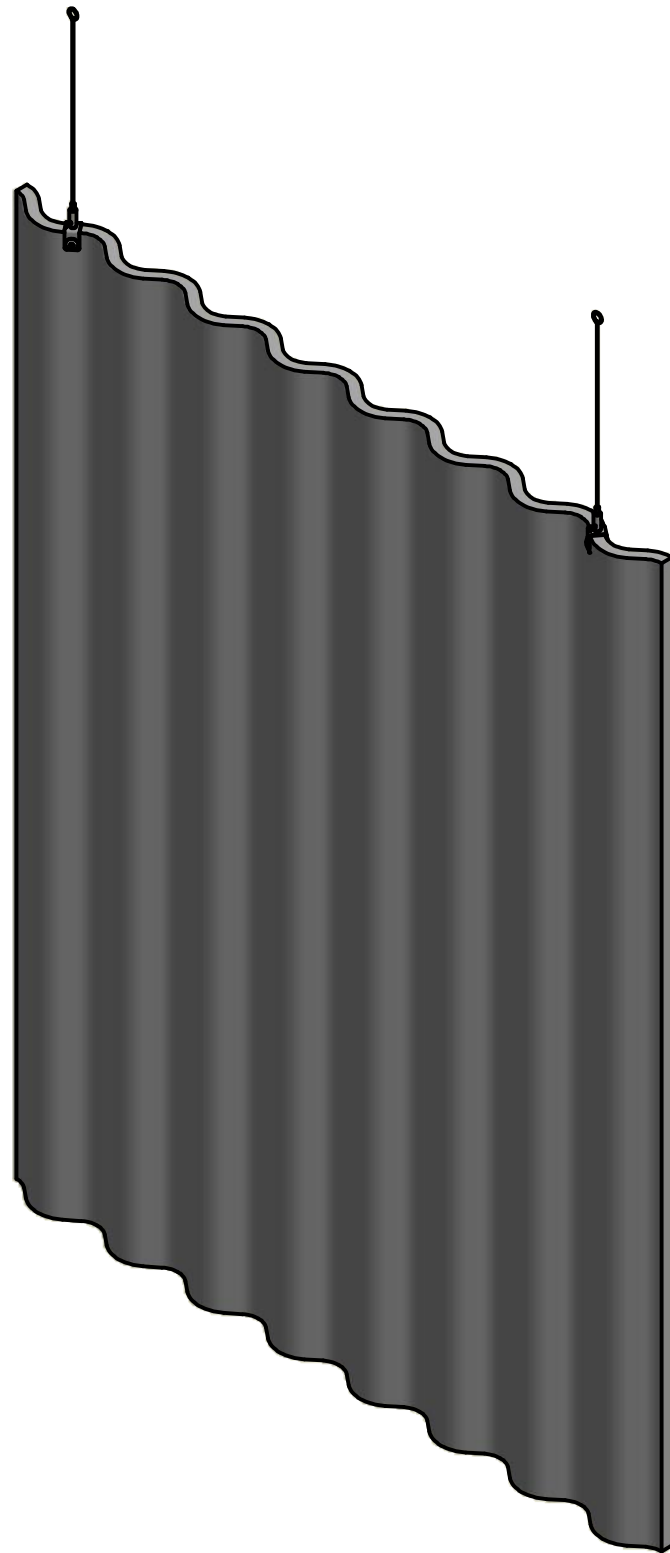


Assembly Instruction

Scala

Hanging screen



Note:
How to adjust the wire kit:

