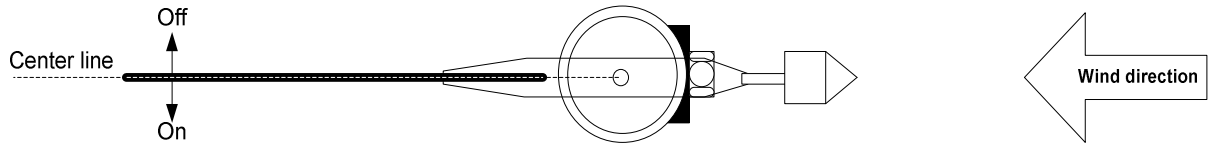
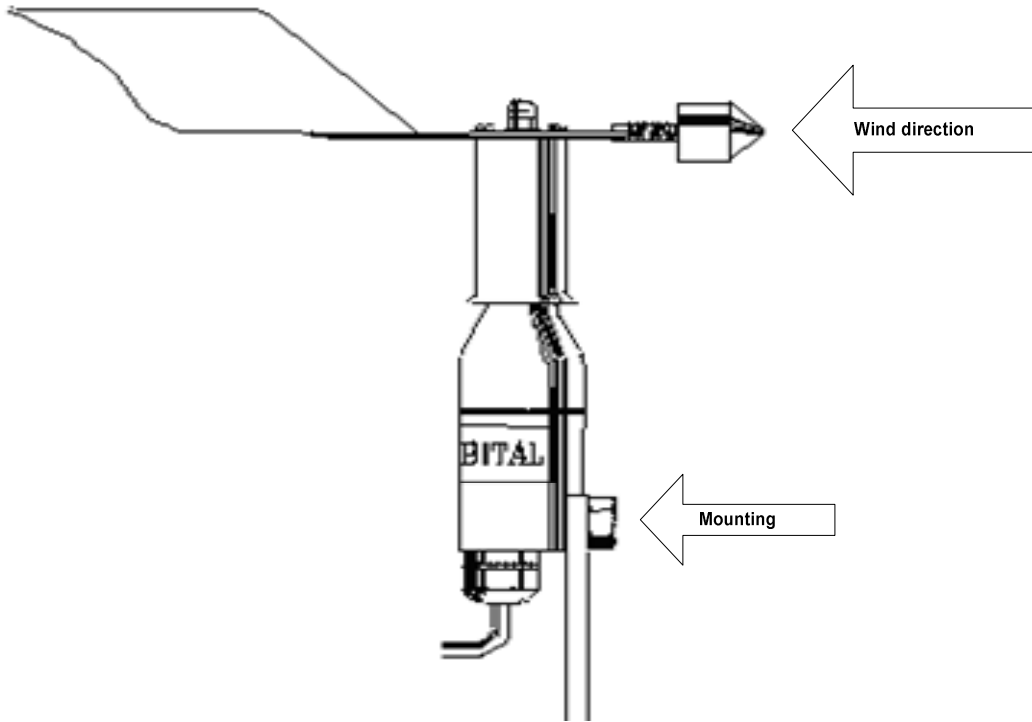
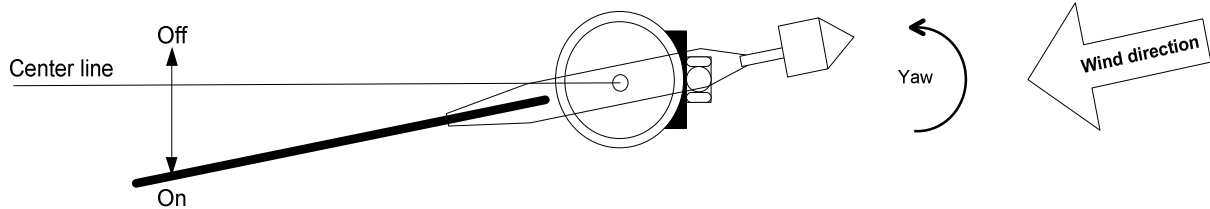


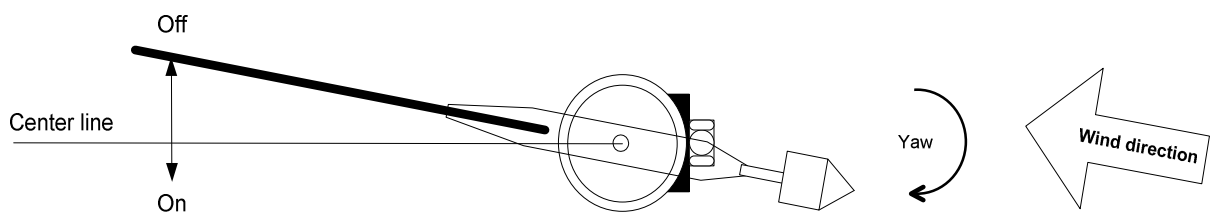
Orbital Wind Vane – How to mount



Output Signal  Activity: No Yaw



Output Signal  Activity Yaw CCW



Output Signal  Activity: Yaw CW

Orbital Wind Vane – Yaw Algorithm

Yaw algorithm (Black/White Detection)

NB: the indicated values for Startdelay, Stopdelay and Filter are samples and have to be adjusted according to the construction of the wind turbine

