

SHARP



User manual

PS-920

Party Speaker System

EN

Warranty card

Dear Customer,

Thank you for having purchased this SHARP product. We would like to inform you that your warranty rights are in the European warranty card. You can download them from www.sharpconsumer.eu or contact your retailer where you purchased your device. You can also obtain the copy of the warranty rights via the electronic or conventional mail after submitting your request to service@umc-uk.co.uk or calling the number **+44 (0) 330 024 0803**.

Calls are charged at your normal telephone call rate.

Keep proof of purchase because it is necessary to apply warranty rights.

Important safety instructions



Please, read these safety instructions and respect the following warnings before the appliance is operated:



The lightning flash with arrowhead symbol, within an equilateral triangle, is intended to alert the user to the presence of uninsulated "dangerous voltage" within the product's enclosure that may be of sufficient magnitude as to constitute a risk of electric shock to persons.



The exclamation point within an equilateral triangle is intended to alert the user to the presence of important operating and maintenance (servicing) instructions in the literature accompanying the appliance.

In order to prevent fire always keep candles and other open flames away from this product.



Warning:

- Always follow basic safety precautions when using this appliance, especially when children are present.
- Children should be supervised to ensure that they do not play with the appliance.
- Do not damage the power cord, neither do not place any heavy objects on it, do not stretch it or bend it. Also do not attach extension cables. Damage to the power cord may occur fire or electric shock.
- If the supply cord is damaged, it must be replaced by the manufacturer, a service agent or similarly qualified persons in order to avoid a hazard.
- Ensure that the unit is plugged into an AC 220-240V 50Hz power outlet. Using higher voltage may cause the unit to malfunction or even fire catching.
- If the power plug does not fit into your outlet, do not force the plug into an electrical socket if it does not fit.
- Turn off the unit before unplugging it from power source to completely switch it off.
- Do not disconnect or connect the power cord with wet hands. It may cause an electric shock.
- NOTE: To disconnect the system completely if it not to be used for a long time, remove the AC power plug from the wall outlet.
- Ensure that the mains plug is always easily accessible.

- This product does not contain any parts that are serviceable by the user. In case of a fault, contact the manufacturer or authorised service department. Exposing the internal parts inside the device may endanger your life. The manufacturers guarantee does not extend to faults caused by repairs carried out by unauthorised third parties.
- Do not use this product immediately after unpacking. Wait until it warms up to room temperature before using it.
- Ensure this product is used in moderate climates only (not in tropical/subtropical climates).
- Place product on a flat, stable surface that is not subject to vibrations.
- Ensure the product and its parts is not overhanging the edge of the supporting furniture.
- To reduce the risk of fire, electric shock or damage to this product, do not expose it to direct sunlight, dust, rain and moisture. Never expose it to dripping or splashing and do not place objects filled with liquids on or near the product.
- Do not place objects filled with liquids, such as vases, on the apparatus.
- Do not install near any heat sources such as radiators, heat registers, stoves, or other apparatus (including amplifiers) that produce heat.
- Do not place the product where the humidity is high and ventilation is poor.
- Don't mount this product on a wall or ceiling.
- Do not place the unit near TVs, speakers and other objects that generate strong magnetic fields.
- Do not leave the unit unattended when it is in use.
- Allow at least 30 cm clearance from the rear and the top of the unit and 5 cm from each side. Do not block any ventilation openings of this product. Always ensure that the ventilation openings are not covered with items such as newspapers, table-cloths, curtains, etc.
- NEVER let anyone, especially children, push anything into holes, slots or any other openings in the unit's casing as this could result in a fatal electric shock.
- Storms are dangerous for all electric appliances. If the mains or aerial wiring is struck by lightning, the appliance might get damaged, even if it is turned off. You should disconnect all the cables and connectors of the appliance before a storm.
- Excessive sound pressure from earphones and headphones can cause hearing loss.

Maintenance

- Unplug the power cable from the power source before cleaning the appliance.
- Use a soft and clean rag to clean the outside of the unit. Never clean it with chemicals or detergent.

Batteries

- Observe the correct polarity when inserting the batteries.
- Do not expose batteries to high temperatures and do not place them on locations where the temperature might increase quickly, e.g. near the fire or on the direct sunshine.
- Do not expose batteries to excessive radiant heat, do not throw them into the fire, do not disassemble them and do not try to recharge un-rechargeable batteries. They could leak or explode.



- Never use different batteries together or mix new and old ones.
- When the Remote Control is not to be used for a long time (more than a month), remove the battery from the Remote Control to prevent it from leaking.
- If the batteries leak, wipe away the leakage inside the battery compartment and replace the batteries with new ones.
- Do not use any batteries other than those specified.

Do not ingest battery, chemical burn hazard

- If the battery is swallowed, it can cause severe internal burns in just 2 hours and lead to death. Keep new and used batteries away from children. If the battery compartment does not close securely, stop using the product and keep it away from children. If you think batteries might have been swallowed or placed inside any part of the body, seek immediate medical attention.

Built-in Battery Care

Please observe the following if the product contains a battery:

- Your product is powered by a built-in rechargeable battery.
- The battery can be charged and discharged hundreds of times, but will eventually wear out.
- Unplug the charger from the electrical plug and the product when not in use.
- Do not leave a fully charged battery connected to a charger, since overcharging may shorten its lifetime.
- If left unused, a fully charged battery will lose its charge over time.
- Leaving the product in hot or cold places, such as in a closed car in the summer and winter conditions, will reduce the capacity and life time of the battery.
- Always try to keep your device in a cool, moisture-free environment that's less than 32°C.
- A product with a hot or cold battery may not work temporarily, even when the battery is fully charged. Battery performance is particularly limited in temperatures well below freezing.
- If you plan to store your device for longer than six months, fully charge the battery every six months to keep it fresh.
- The unit should be fully recharged after using the device each time. This will keep the health of the battery.

Battery warning!

- The battery used in this product may present a risk of fire or chemical burn if mistreated.
- Do not attempt to open the product or replace the battery. It is built-in and not changeable. Use of other batteries may present a risk of fire or explosion and the warranty will be terminated.
- Dispose of batteries according to local regulations. Please recycle when possible. Do not dispose as household waste or in a fire as they may explode.
- Batteries may explode if damaged.
- Charging the battery using supplied charger or under the charging condition specified in user manual. Charging the battery under any other conditions may cause the battery to overheat, emit hydrogen gas, leak, ignite or burst.

CAUTION!

1. Important safety considerations

When charging the battery take note of the charging conditions specified as below.

- Recharge in upright only.
- Do not incinerate.
- Do not use other than the attached AC adapter.

2. To prevent deterioration or damage to the battery

- Do not drop or subject to strong physical shock.

3. To ensure long battery life

- The unit should be fully recharged after using each time.
- If the unit is stored for more than six months without any recharging activity, the battery in the unit will be over discharged, please contact our authorized service center to replace the battery, using over discharged battery will lead to leak, ignite or explode

- Do not discharge completely.
- Shutdown the main switch after usage, otherwise an over discharge state may occur.

Lead-Acid Battery Safety and Handling Guides

Lead-Acid rechargeable batteries require routine maintenance and care in their use and handling. Read and follow the guidelines in this document to safely use

1. OVERVIEW

Batteries not handled and used correctly can be a danger, read the instructions in full prior to carrying out any work on the battery. Batteries are heavy; take care for lifting and carrying. Please read and follow carefully all the instructions in this document, on the battery and in the product handbook. Keep the battery upright to prevent spillage.

2. MAINTENANCE.

Replace a battery with new one within the time period specified in the user manual or equipment. Contact authorized service center if any unclear regarding battery checking and replacement.

3. FIRST-AID MEASURES

If acid is ingested seek immediate professional medical attention. Do not induce Vomiting and drink a lot of water. In the event of contact with skin or eyes wash immediately with copious amounts of water for several minutes. Seek immediate medical attention for eyes. For spillages again wash immediately with water or soapy water or acid neutralizer.

4. CHARGING (using charging devices).

Charging the battery using supplied charger or under the charging condition specified in user manual. Charging the battery under any other conditions may cause the battery to overheat. Emit hydrogen gas, leak, ignitor burst. Don't charge the battery in the inverted position. Overcharging in the inverted position may cause battery leakage from the safety valve.

- Recharge lead acid batteries after each use to prevent sulfation. Do not store on low charge.
- Do not allow a lead acid to freeze. An empty battery freezes sooner than one that is fully charged. Never charge a frozen battery.
- Avoid charging at temperatures above 49°C.

5. HANDLING AND STORAGE

Batteries are filled with acid and should be kept upright at all times. Store in a cool dry well ventilated place. Exclude storage where sparks may be generated. If the battery is stored for a year or longer without being charged, its service life may be shortened. Store the battery after fully charging it. Otherwise its service life may be shortened.

6. DISPOSAL CONSIDERATIONS

Old batteries should be recycled through a registered scheme. The supplier of the new battery will have access to such a scheme. We advise that this is the best way to correctly dispose of failed batteries WARRANTY. Products are warranted against faulty workmanship and/or material according to applicable law only. Proof of purchase is required to claim. Warranty does not cover incorrect fitment, inadequate charging, accidental damage or faults on other forms of abuse. A battery replaced under warranty is only warranted to the end of the original battery warranty period. Batteries left for long periods out of use will fail owing to neglect.

7. REPLACEMENT BATTERIES

Replacement batteries should be of the same type, size, manufacturer and model number, if possible. The replacement battery should be charged to a range of 90 to 95 percent of rated capacity. Capacity will rise to rated value after several charge-discharge cycles or after a period of float operation.

How to remove the battery for disposal



RISK OF INJURY. WEAR GLOVES WHEN WORKING!

The battery should be removed only by authorized service point.

1. Remove 10 screws on the back side of the speaker.
2. Open the main unit case.
3. From printed circuit board disconnect 3 connectors that connect front and back cabinets.
4. In the back cabinet remove 4 screws holding battery in a place.
5. Take out the battery and turn the battery connected wires to face top.

6. Cut off the heat sink tubes from battery wires.
7. Remove the soldering points between the battery and the wires.
8. Remove the batteries from the battery case.

Disposal of this equipment and Batteries

- Do not dispose of this product or its batteries as unsorted municipal waste. Return it to a designated collection point for the recycling of WEEE in accordance with local law. By doing so, you will help to conserve resources and protect the environment. 
- Most of the EU countries regulate the disposal of batteries by law. Contact your retailer or local authorities for more information. 
- The shown above appears on electrical and electronic equipment and batteries (or the packaging) to remind users of this. If "Hg" or "Pb" appears below the symbol, this means that the battery contains traces of mercury (Hg) or lead (Pb), respectively.
- Users are requested to use existing return facilities for used equipment and batteries.

CE Statement:

- Hereby, UMC Poland Sp. z o.o. declares that this audio device is in compliance with the essential requirements and other relevant provisions of RED Directive 2014/53/EU. The full text of the EU declaration of conformity is available by following the link <https://www.sharpconsumer.eu/documents-of-conformity/>

Trademarks:

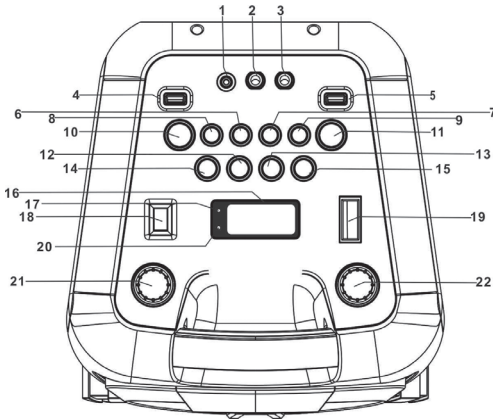


The Bluetooth word mark and logos are registered trademarks owned by Bluetooth SIG, Inc.

Accessories

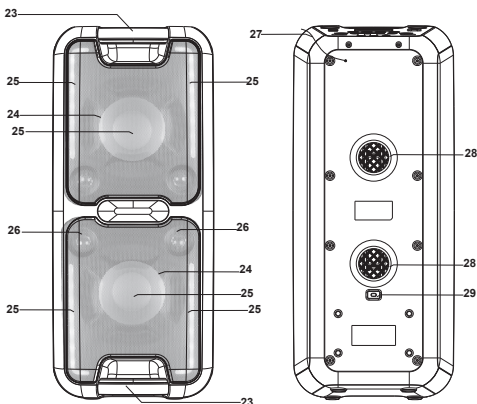
- 1x User manual
- 1x Microphone
- 1x Power cord

Guide to the Appliance



Top View

- | | |
|---|---|
| <ol style="list-style-type: none"> 1. 3.5mm AUX IN JACK 2. 6.3mm MIC JACK 1 3. 6.3mm MIC JACK 2 4. USB PORT 1 5. USB PORT 2 6. 10/M./FOLD.+ BUTTON 7. LIGHT BUTTON 8. 10/M./FOLD.- BUTTON 9. ECHO BUTTON 10. EQ BUTTON 11. FUNCTION BUTTON | <ol style="list-style-type: none"> 12. ◀/TUN.- BUTTON 13. ▶/TUN.+ BUTTON 14. P-MODE/M. BUTTON 15. M/BT/SCAN BUTTON 16. LCD DISPLAY 17. PAIR INDICATOR 18. SUPER BASS BUTTON 19. POWER ON/OFF BUTTON 20. CHARGE INDICATOR 21. MIC VOL. CONTROL 22. VOLUME CONTROL |
|---|---|



Front and Back view

23. HANDLE
24. SPEAKERS
25. DISCO LED LIGHT
26. TWEETERS
27. FM ANTENNA
28. VENTILATION HOLES
29. AC SOCKET

Getting Started

POWER SOURCE

Before using this unit, it is recommended that the internal lead-acid battery (4000mAh) is fully charged. When the battery is full, the charge light will turn green, when charged remove the power cord from the socket.

Usage time will be approximately two hours when the battery is fully charged.

When the battery charge is low, the charge light will flash red.

WARNING: Do not attempt to change or replace the battery.

This can only be carried out by a qualified engineer.

OPERATION INSTRUCTION

BASIC FUNCTION

TURNING THE UNIT ON/OFF

Press the power ON/OFF button to switch the unit on/off.

SETTING THE FUNCTION MODE

To change the function modes, press the **FUNCTION** button repeatedly to choose USB1/USB2/BLUETOOTH/AUX/RADIO function.

ADJUSTING THE VOLUME

1. Rotate the **VOLUME** knob on the unit to increase or decrease the music volume.
2. Rotate the **MIC VOL.** knob on the unit to increase or decrease the microphone volume.

BASS ADJUSTMENT

Press the **SUPER BASS** button on unit to increase the bass effect.

EQUALIZER (EQ) FUNCTION

This unit has a built-in equalizer system, press the **EQ** button on unit to select a setting that best matches the music style: FLAT, CLASSIC, ROCK, POP (default) and JAZZ.

MICROPHONE ECHO ADJUSTMENT

Press the **ECHO** button on unit turn on or off the microphone echo effect.

FLASHING LIGHT

Light is off by default. There are 5 modes for the DISCO LED lighting. Press the **LIGHT** button to choose the light modes.

L-1: Blue LED will be on constantly when it is selected.

L-2: Blue LED will be on flashing mode.

L-3: Red LED will be on constantly.

L-4: Red LED will be on flashing mode.

L-5: 7 colors LED will be on flashing mode.

Press one more time to turn off.

There are 2 modes for the decoration LED lighting around the speakers.

Press and hold the **LIGHT** button to choose the light modes.

E-1: White LED will be on constantly.

E-2: White LED will be flashing.

Press one more time to turn off.

RADIO OPERATION

Listen to FM radio broadcasts. Press the **FUNCTION** button on the unit, the display reads FM and the radio frequency.

NOTE: in order to get the best reception, extend the FM ANT. on the rear of the unit before use to its full length.

TUNING TO A RADIO STATION

If you know the station frequency that you want to tune to directly:

- Tune to a station by press the **▶▶/TUN.+** or **◀◀/TUN.-** button repeatedly. Hold them to search upward or downward. The station frequency is shown on the display.

To tune to a preset station:

- To tune to the next preset station, press the **10/M./FOLD.+** button.
- To tune to the previous preset, press the **10/M./FOLD.-** button.

AUTO PRESET MEMORY/SCAN

To scan for stations within reception range and save them to preset memory automatically, press and hold the **▶|/BT/SCAN** button. After the unit is finished scanning, the unit will automatically tune to preset number 1 (P01).

MANUAL PRESET MEMORY OPERATION

Choose which stations to save in preset memory instead of scanning automatically.

1. Use the **▶▶/TUN.+** or **◀◀/TUN.-** button to tune to the station that you want to save as a preset (e.g., 93.1).
2. Press the **P-MODE/M.** button. "P01" will flash on the display to indicate that you are saving the station as Preset Memory 01. (To change the preset memory number, press the **10/M./FOLD.+** or **10/M./FOLD.-** buttons.)
3. Press the **P-MODE/M.** button to finish saving the station (e.g., P01 is now set to 93.1).
4. To save another station, repeat steps 1 to 3. You may save up to 30 FM stations.

USB OPERATION

This unit provides two USB ports for music playback.

1. Press the **FUNCTION** button on unit to select "USB1" or "USB2" mode.
2. Plug the USB memory stick to the USB port on top of the unit. Playback will start automatically from Track 1.
3. To pause playback, press the **▶|/BT/SCAN** button on unit. The playing time will flash on the display.
4. To resume playback, press the **▶|/BT/SCAN** button again.
5. To select a desired track, press the **▶▶/TUN.+** or **◀◀/TUN.-** button respectively during playing until the desired track appears on the display. The unit will start play automatically.
6. To search for a particular passage during playback, press and hold the **▶▶/TUN.+** or **◀◀/TUN.-** button to scan the current playing track at high speed until desired point (passage) appears, then release the button for normal playback mode.
7. To select a song which track number exceeds 10, press the **10/M./FOLD.+** or **10/M./FOLD.-** button each time to skip forward/backward 10 tracks, then press the **▶▶/TUN.+** or **◀◀/TUN.-** button to select desired track.
8. To select a desired folder (if the USB contains more than one folder), press and hold the **10/M./FOLD.+** or **10/M./FOLD.-** button each time to skip forward/backward a folder, then press the **▶▶/TUN.+** or **◀◀/TUN.-** button to select desired track.

IMPORTANT: The USB port is intended for data transfer only, other devices cannot be used with this USB connection. The use of USB extension cords is not recommended. Don't unplug the USB from the unit when playing or reading the USB device.

REPEAT PLAY

You can play one track or all tracks on the USB repeatedly.

To Repeat a Single Track

1. Press **P-MODE/M.** button on unit during play, the display will show "↺" and the current track will be played over and over again.

2. To cancel repeat play, press **P-MODE/M.** button on unit until "↺" disappears from the display.

To repeat all the Tracks

1. Press **P-MODE/M.** button on unit until the "↻" shows steadily on the display, all tracks on the USB will be played over and over again.
2. To cancel repeat play, press the **P-MODE/M.** button on unit until "↻" disappears from the display.

To repeat the folder (only for USB which contains more than one folder)

1. Press the **P-MODE/M.** button on unit until "↻ FOLDER" shows steadily on the display, the current folder will be repeated over and over again.
2. To cancel repeat play, press the **P-MODE/M.** button on unit until "↻ FOLDER" disappears from the display.

RANDOM PLAY

Press the **P-MODE/M.** button on unit in play mode till the "RAND" shows steadily on the display, the random play will start from next track automatically. Press the **P-MODE/M.** button on unit again until the "RAND" disappears from the display to cancel.

BLUETOOTH OPERATION

1. Press the **FUNCTION** button on unit to switch to BLUETOOTH function, the LCD will display "bt" and the pair indicator will flash at high speed.
2. Turn on the Bluetooth function on the device, scan the unit "PS-920" and connect, then input the password 0000 if required, the pair indicator keep light up to indicate connection done, and the display will show "bt". Press **PLAY** to start playback.
3. Rotate the **VOLUME** knob on the unit or adjust the volume on the external device to increase or decrease the music volume to your desired level.
4. Press and hold the **▶|/BT/SCAN** button to disconnect Bluetooth.

NOTE: The Bluetooth works best within 10 meters in open air.

AUX-IN OPERATION

1. Press the **FUNCTION** button on unit to select the "AUX" mode.
2. Connect your audio device to the AUX IN jack on the top panel of the unit with an AUX IN cable.(audio cable is not included)
3. Rotate the **VOLUME** knob on the unit or adjust the volume on the external device to increase or decrease the music volume to your desired level.
4. Control the playback with your audio device.

MIC JACK OPERATION

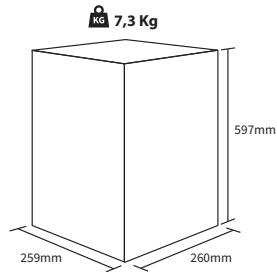
Microphone input is available in all modes.

1. Connect your microphone to the 6.3mm **MIC JACK** found on the top panel of the unit.
2. Rotate the **MIC VOL.** knob on the unit to increase or decrease the microphone volume.
3. Press the **ECHO** Button to turn on or off the echo effect of the microphone.

Technical specification

Model	PS-920
General	
Power Requirements	AC100-240V~50/60Hz
Power Consumption	33 W
Power Consumption StandBy	<0,5W
Power Output	2 x 25W (RMS)
Total max power output	150 W
Frequency Response	40Hz-15KHz
FM Frequency	FM 87.5-108MHz
AUX in jack	3.5mm
Microphone jack	6.3mm
Operating temperature	5°C - +40°C
Bluetooth	
Communication system	Bluetooth Standard version 2.1+EDR
Reception Range	10 meter (line-of-sight distance)
Compatible Bluetooth profiles	Advanced Audio Distribution Profile (A2DP)

NOTE: Specifications are subject to change for continuous improvement without prior notice.





UMC Poland Sp. z o.o.

Ostaszewo 57B, 87-148 Łysomice,
Poland

Made in China

SAU/MAN/0089

www.sharpconsumer.eu

SHARP