

R-Series Static Grounding Reels

Processes conducted in hazardous areas can result in the generation and unwanted accumulation of static electricity on plant equipment.

Electrostatically charged objects like drums, IBCs and a wide range metal plant equipment can discharge static sparks with energies well in excess of the minimum ignition energies of flammable gases and vapours.

Newson Gale's R-Series of static grounding reels provide protection from the risk of static sparks being discharged in hazardous atmospheres.

All reels are supplied with ATEX / FM approved stainless steel static grounding clamps with cable length options of 20 ft., 30 ft. and 50 ft.

Standard reels are supplied with a protective blue powder coating. Stainless steel reels can be specified for corrosive and clean room environments.

Key Features:

- Latchable and retractable spring operated cable reels.
- Optional lengths of 20 ft., 30 ft. and 50 ft. (6.1 m / 9.1 m / 15.2 m).
- FM / ATEX certified stainless steel heavy duty grounding clamps.
- Cab-Lite hi-viz protective cable coating.
- Stainless steel option with Cab-Lite coated SS304 cable.



Click here to submit a product related query or a request for quotation.



ATEX



R-Series Static Grounding Reels



Click here to submit a product related query or a request for quotation.

Specifying the type of grounding clamp you need.

When flammable or combustible products are being handled and processed in hazardous areas it is essential to specify certified equipment that will protect personnel from sources of electrostatic ignition. Static Grounding clamps with combined FM & ATEX approvals are rigorously tested and certified to ensure they are capable of dissipating static charges from potentially charged equipment. This is especially significant when the equipment can be covered in coatings, product deposits or rust that is capable of preventing the clamp from making low resistance electrical contact with the equipment to be grounded, preventing the safe transfer of electrostatic charges from the equipment to the designated earth grounding point.



Tungsten Carbide teeth combined with positive spring pressure designed to penetrate coatings, product deposits and rust which could impede the safe transfer of static charge from the object at risk of static spark discharges.

5 good reasons to specify FM / ATEX approved clamps.

- 1. Clamp Pressure Testing (FM test standard).**
Ensures the clamp is capable of establishing and maintaining low resistance electrical contact with the equipment to be grounded.
- 2. Electrical Continuity Testing (FM test standard).**
Ensuring the continuity from the tips throughout the clamp is less than 1 ohm.
- 3. High Frequency Vibration Testing (FM test standard).**
Ensures the clamp is capable of maintaining positive contact when attached to vibrating equipment.
- 4. Mechanical Pull Testing (FM test standard).**
Ensures the clamp cannot be pulled off the equipment to be grounded without an intentional application of force.
- 5. Sources of mechanical sparking (ATEX Directive).**
Ensures no mechanical sparking sources are present in the grounding clamp.



! WARNING ! - drums and containers can have typical coating thicknesses of 675 micro-metres. Product deposits on drums and containers can result in thicknesses of up to several millimetres. The flat surfaces of basic welding clamps and alligator clips are not designed to penetrate such coatings. It is of critical importance to specify clamps that can make regular and positive electrical contact with the conductive parts of the container. This will ensure that every time a process capable of generating static charges is carried out the risk of an incendive static spark discharge is reduced to an acceptable level.



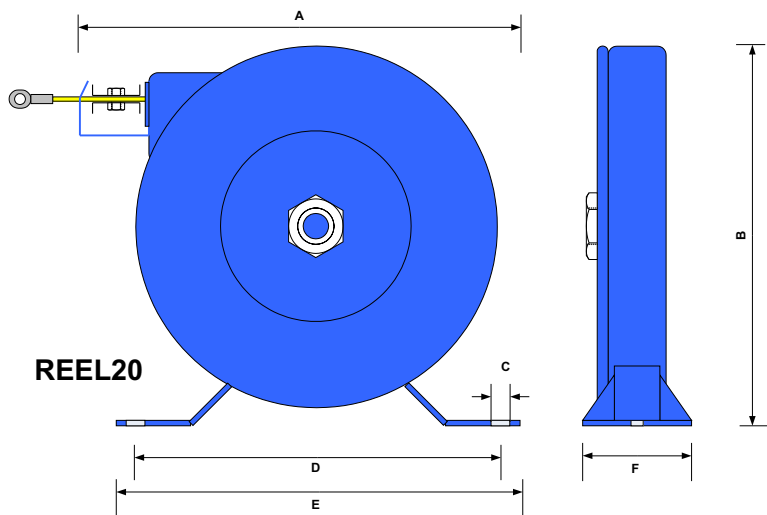
R-Series Static Grounding Reels



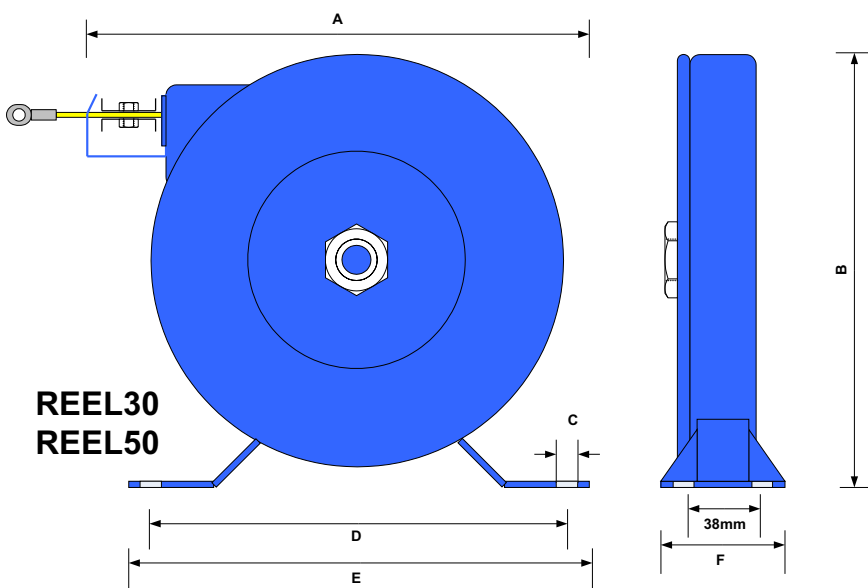
Click here to submit a product related query or a request for quotation.

Technical Information

The dimensions of REEL20 and REEL30/50 are as follows:-



		NG REEL 20		Mounting
		mm	inch	
A		190.00	7.48	
B		155.00	6.10	
C		6.750 x 9.53	0.27 x 0.38	2 slots
D		145.00	5.71	
E		170.00	6.69	
F		50.80	2.00	
kgs		1.25		
lbs		2.75		



		NG REEL 30		Mounting
		mm	inch	
A		237.00	9.33	
B		200.00	7.87	
C		10.32	0.41	4 slots
D		200.00	7.87	
E		220.00	8.66	
F		60.00	2.36	
kgs		2.25		
lbs		4.95		

		NG REEL 50		Mounting
		mm	inch	
A		237.00	9.33	
B		200.00	7.87	
C		10.32	0.41	4 slots
D		200.00	7.87	
E		220.00	8.66	
F		60.00	2.36	
kgs		2.25		
lbs		4.95		

R-Series Static Grounding Reels



Click here to submit a product related query or a request for quotation.

Housing materials, dimensions and certification:	Powder coated mild steel (Blue coating) or Stainless Steel (SS 304) Both housings: 190 mm x 155 mm x 51 mm (7.5" x 6.1" x 2.0"). ATEX: Ex II 2 GD T6
Cable:	Blue reels: 2.3 mm (3/32") thick multi-standed galvanized steel protected with hi-viz Cab-Lite coating. Stainless Steel reels: 2.3 mm (3/32") thick SS304 stainless steel protected with hi-viz Cab-Lite coating. Select from lengths of 20 ft. / 30 ft. / 50 ft. (6.1 m / 9.1 m / 15.2 m).
Grounding clamp options:	VESX90 large sized heavy duty grounding clamp (ATEX / FM approved). VESX45 standard sized heavy duty static grounding clamp (ATEX / FM approved). ATEX: Ex II 1 GD T6



X45 standard size heavy duty stainless steel clamp



X90 large heavy duty stainless steel clamp



Swivel mount for both blue powder coated and stainless steel reels

Product Ordering Codes

Product Codes	Product Description
VESX45/R20	Blue coated 20 ft. (6.1 m) cable reel with X45 standard size heavy duty clamp
VESX45/R30	Blue coated 30 ft. (9.1 m) cable reel with X45 standard size heavy duty clamp
VESX45/R50	Blue coated 50 ft. (15.2 m) cable reel with X45 standard size heavy duty clamp
VESX90/R20	Blue coated 20 ft. (6.1 m) cable reel with X90 large heavy duty clamp
VESX90/R30	Blue coated 30 ft. (9.1 m) cable reel with X90 large heavy duty clamp
VESX90/R50	Blue coated 50 ft. (15.2 m) cable reel with X90 large heavy duty clamp
Stainless Steel Reels	To specify a stainless steel reel place the code "SS" after the reel size, e.g. for a 20 ft. stainless steel reel with an X45 clamp specify: VESX45/R20SS
Swivel mount	Stainless Steel swivel mount permits reel to rotate about a 130° arc. REEL/SM/20 for 20 ft. (6.1 m) reels. REEL/SM/30 for 30 ft. (9.1 m) reels. REEL/SM/50 for 50 ft. (15.2 m) reels.



Newson Gale Inc
460 Faraday Avenue
Bldg C
Jackson, NJ 08527
USA
Tel: +1 732 961 7610
Fax: +1 732 791 2182
Email: groundit@newson-gale.com



Newson Gale Ltd
Omega House
Private Road 8
Colwick, Nottingham
NG4 2JX, UK
Tel: +44 (0)115 940 7500
Fax: +44 (0)115 940 7501
Email: groundit@newson-gale.co.uk



Newson Gale GmbH
Ruhrallee 185
45136 Essen
Deutschland
Tel: +49 (0)201 89 45 245
Fax: +49 (0)201 42 60 026
Email: erdung@newson-gale.de



Newson Gale S.E.A. Pte Ltd
136 Joo Seng Road
#03-01, Singapore
368360
Tel: +65 6704 9461
Fax: +65 6725 0570
Email: ngsea@newson-gale.com