



Technical Manual for the Speaker – DB14

Please note that every care has been taken to ensure the accuracy of our technical manual. We do not, however, accept responsibility for damage, loss or expense resulting from any error or omission. We reserve the right to make alterations in line with technical advances and industry standards.

1. INTRODUCTION

These speakers have been designed for use in harsh environmental conditions. A BS5839, part 8 compliant version is also available. Contact MEDC for details.

2. INSTALLATION

General

When installing and operating electrical equipment, requirements for selection, installation and operation should be referred to.

Additional national and/or local requirements may apply.

Ensure that all nuts, bolts and fixings are secure.

Ensure that appropriate stopping plugs are used to blank off unused gland entry points. Sealing compound should be applied to stopping plug threads to maintain the IP rating of the unit.

The DB14 is mounted via 2 x Ø 7mm (Ø 0.28") fixing holes in the 'u' shaped stirrup/mounting bracket.

If required, the unit can be initially placed via the Ø 13mm (0.51") central hole in the stirrup. The unit can be rotated to the required position and fixed via the two other holes.

The fixing holes accept M6 screws or bolts. MEDC recommend the use of stainless steel screws.

The elevation of the unit can be adjusted by loosening the 2 x M6 screws which fasten the stirrup to the horn. The unit can then be adjusted by rotating to the required position and then tightening the M6 screws. The DB14 should be positioned such that debris, dust or water cannot settle in the re-entrant horn.

Cable Termination

CAUTION: Before removing the cover assembly, ensure that the power to the unit is isolated.

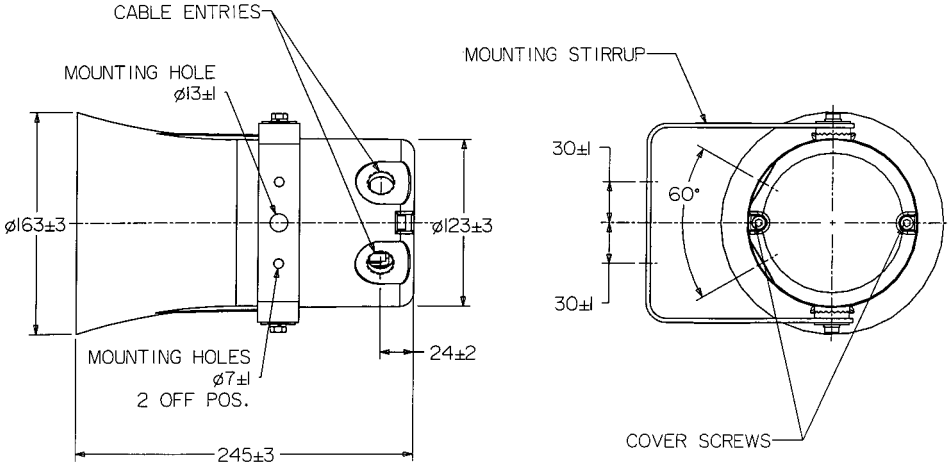
Unscrew the 2 off screws holding the cover to the unit. Remove to gain access to the interior of the enclosure.

Cable termination should be in accordance with specifications applying to the application. MEDC recommend that all cables and cores should be fully identified.

Ensure that appropriate cable glands are used and that the assembly is shrouded and correctly earthed.

All cable glands should be of an equivalent IP rating to that of the speaker.

GENERAL ARRANGEMENT



ALL DIMENSIONS IN MILLIMETRES

In order to maintain the IP rating of the unit, the cable glands should be sealed to the unit using a sealing washer (if possible) and sealing compound.

Once termination is complete, carefully push the cover back onto the unit, avoiding damage to the seal. Tighten the 2 off cover screws evenly, to ensure correct sealing.

3. OPERATION

The unit is powered directly. Different sound levels can be obtained by selecting the transformer tapplings in the unit.

4. MAINTENANCE

During the working life of the unit, little or no maintenance is required. However, if abnormal or unusual environmental conditions occur due to plant damage or accident etc., then visual inspection is recommended.

If a fault should occur, it is recommended that the unit be returned to MEDC for repair. All parts are replaceable.

If you have acquired a significant quantity of units, it is recommended that spares are also made available. Please discuss your requirements with the Technical Sales Engineers at MEDC.

MEDC Ltd, Colliery Road, Pinxton, Nottingham NG16 6JF, UK.

Tel: +44 (0)1773 864100 Fax: +44 (0)1773 582800

Sales Enq. Fax: +44 (0)1773 582830 Sales Orders Fax: +44 (0)1773 582832

E-mail: sales@medc.com Web: www.medc.com

MEDC Stock No.
TM111-ISSA
