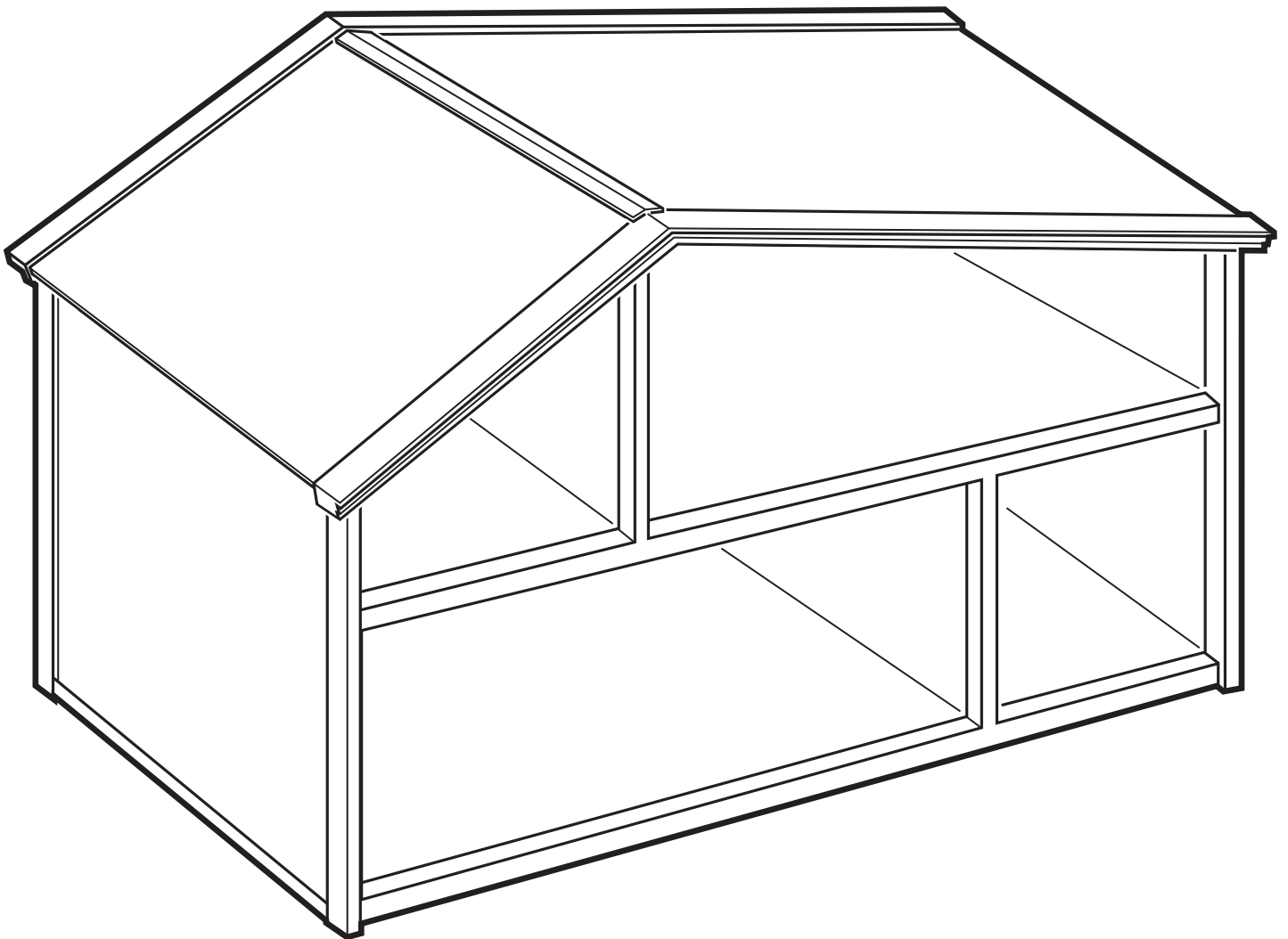


# CREATIVE

THE SWEDISH  
DOLL'S HOUSE



**WARNING!**

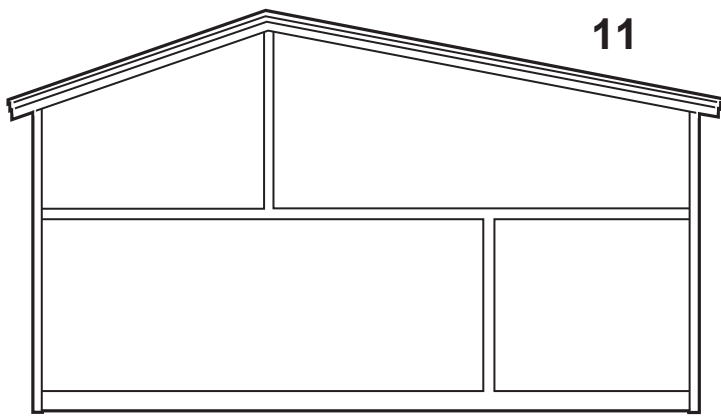
**CHOKING HAZARD** - Small parts.

Not for children under 3 years.

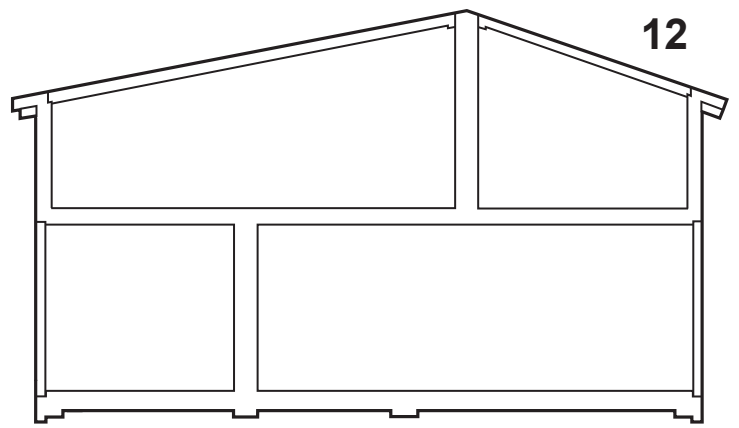
Adult assembly required.



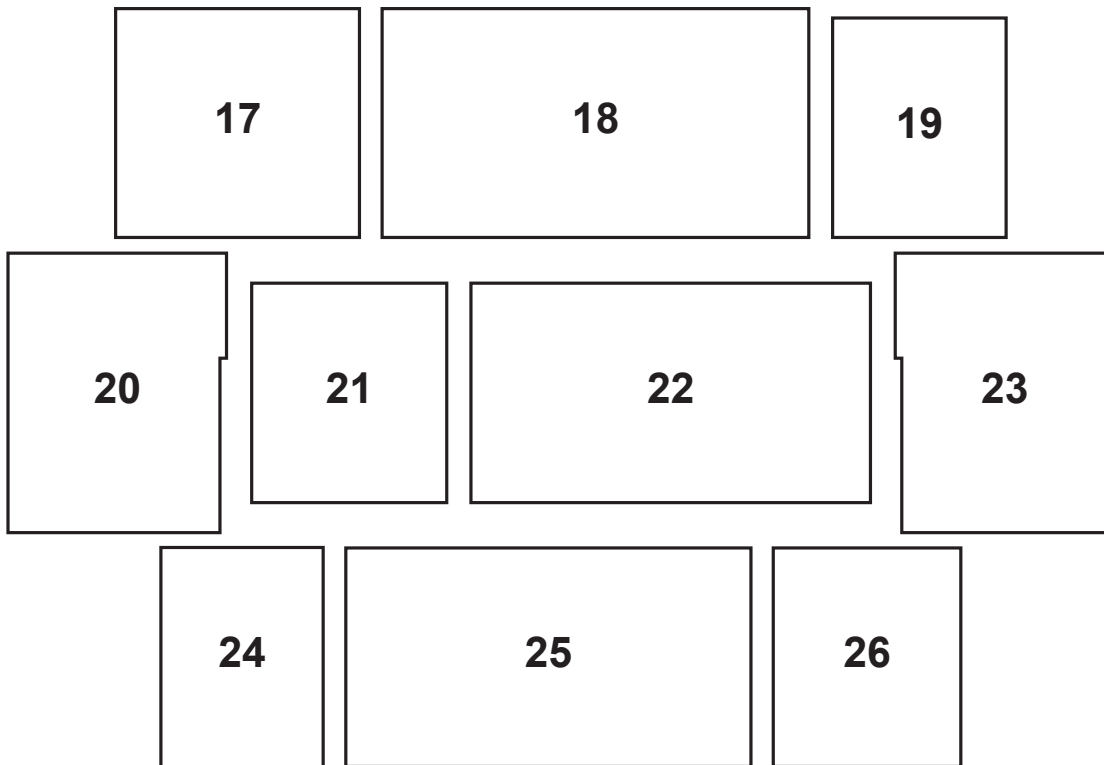
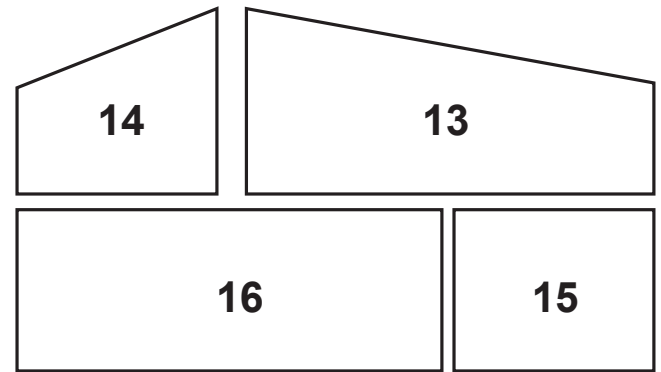
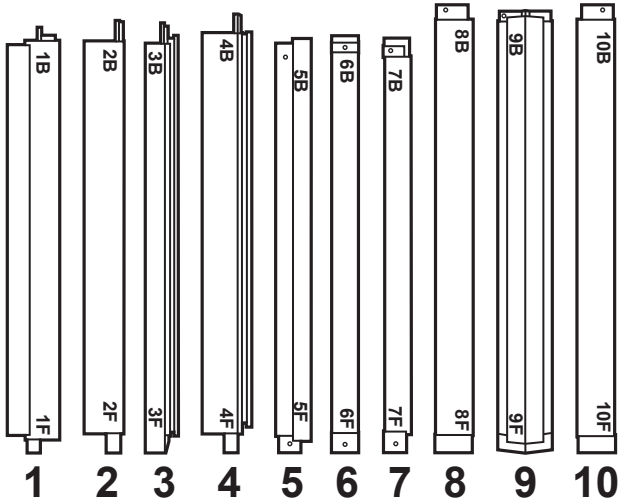
[www.lundby.com](http://www.lundby.com)




11



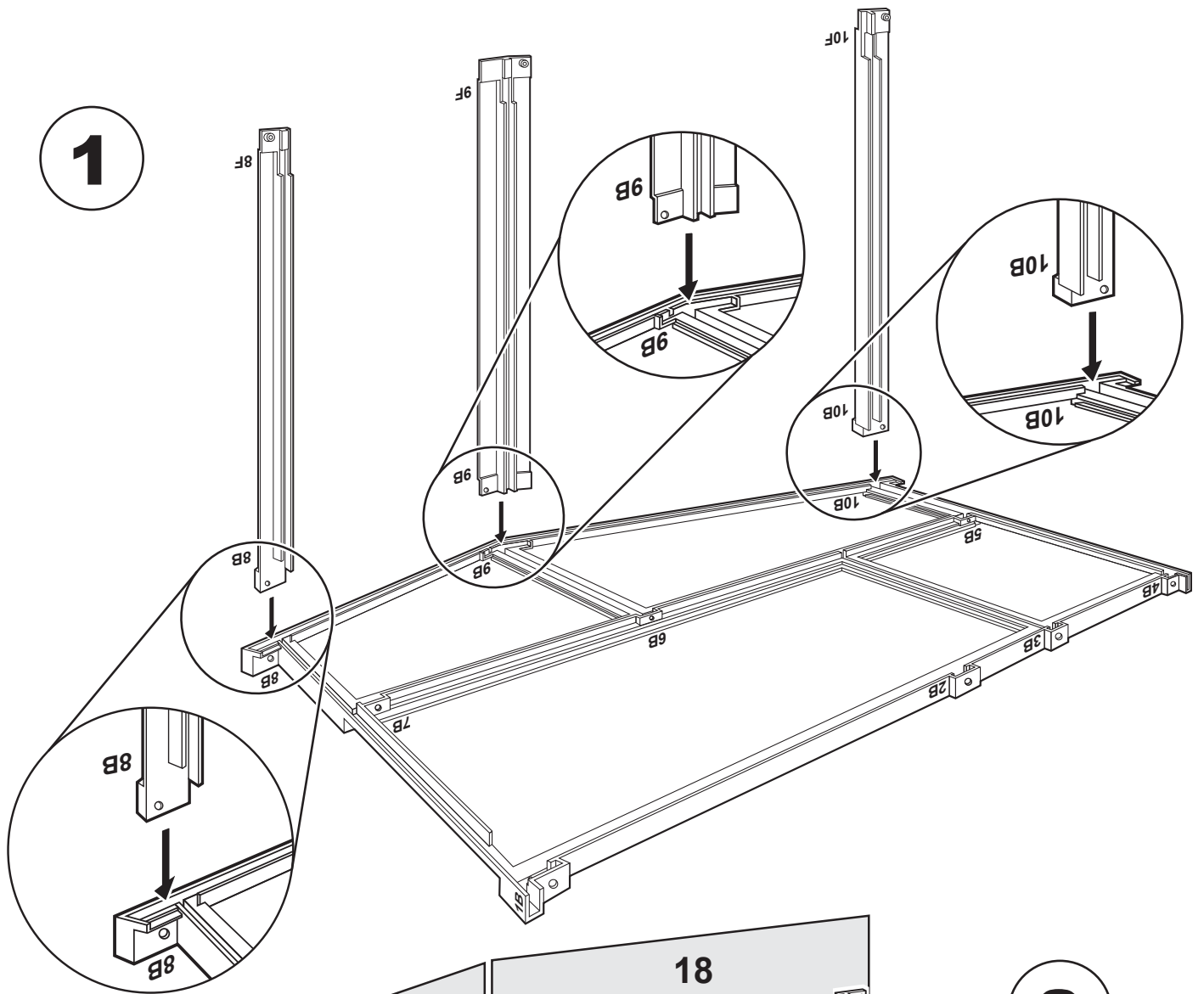
12



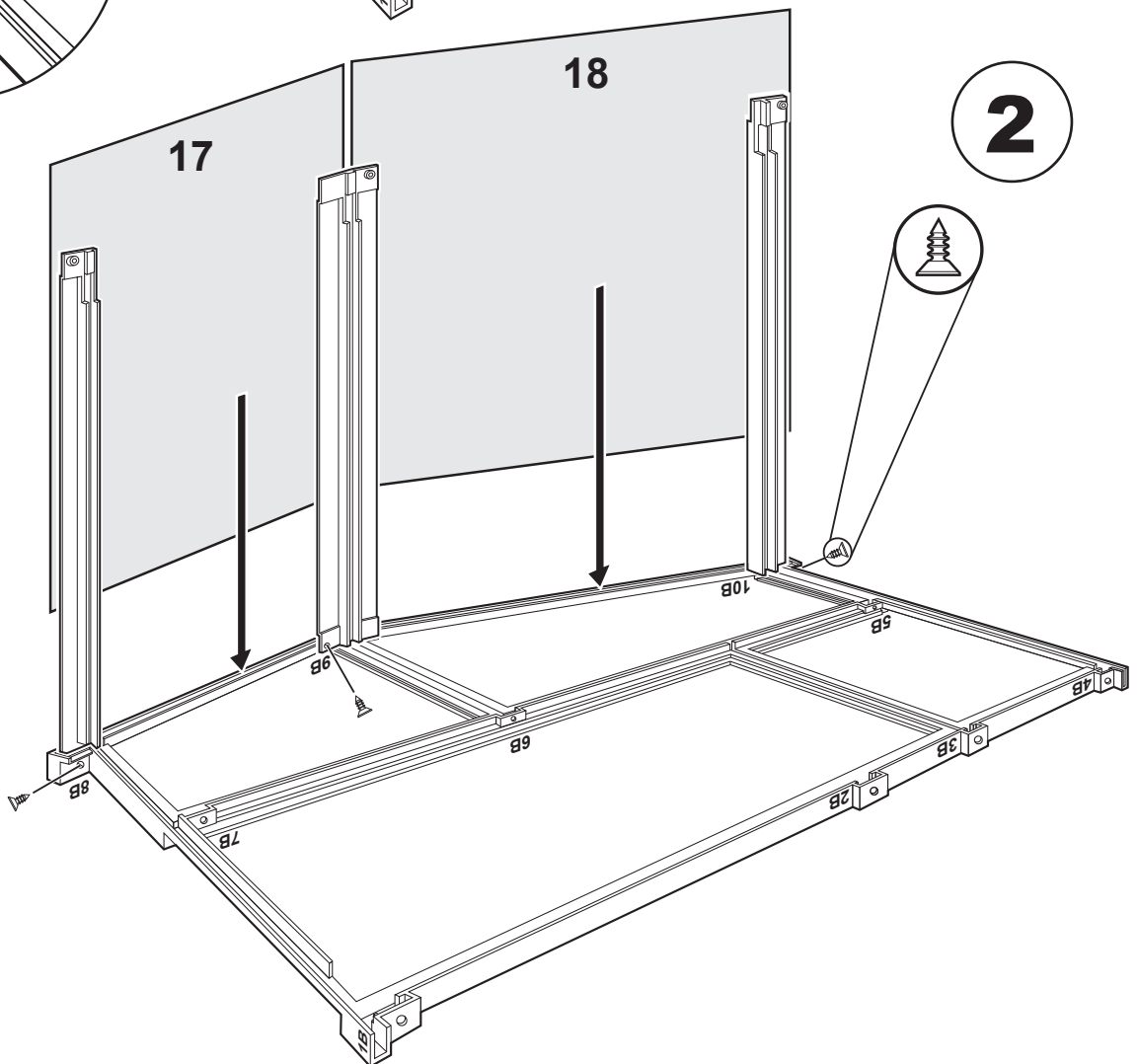
  
x20 (+2 extra)

- 11. Front frame
- 12. Back frame
- 13. Top floor, left back wall
- 14. Top floor, right back wall
- 15. Bottom floor, left back wall
- 16. Bottom floor, right back wall
- 17. Small roof, black and white
- 18. Big roof, black and white
- 19. Top floor, inner wall, white
- 20. Left outside wall, pink
- 21. Top floor, small floor, pink
- 22. Top floor, big floor, green
- 23. Right outside wall, pink
- 24. Bottom floor, inner wall, white
- 25. Bottom floor, big floor, black and white
- 26. Bottom floor, small roof, purple

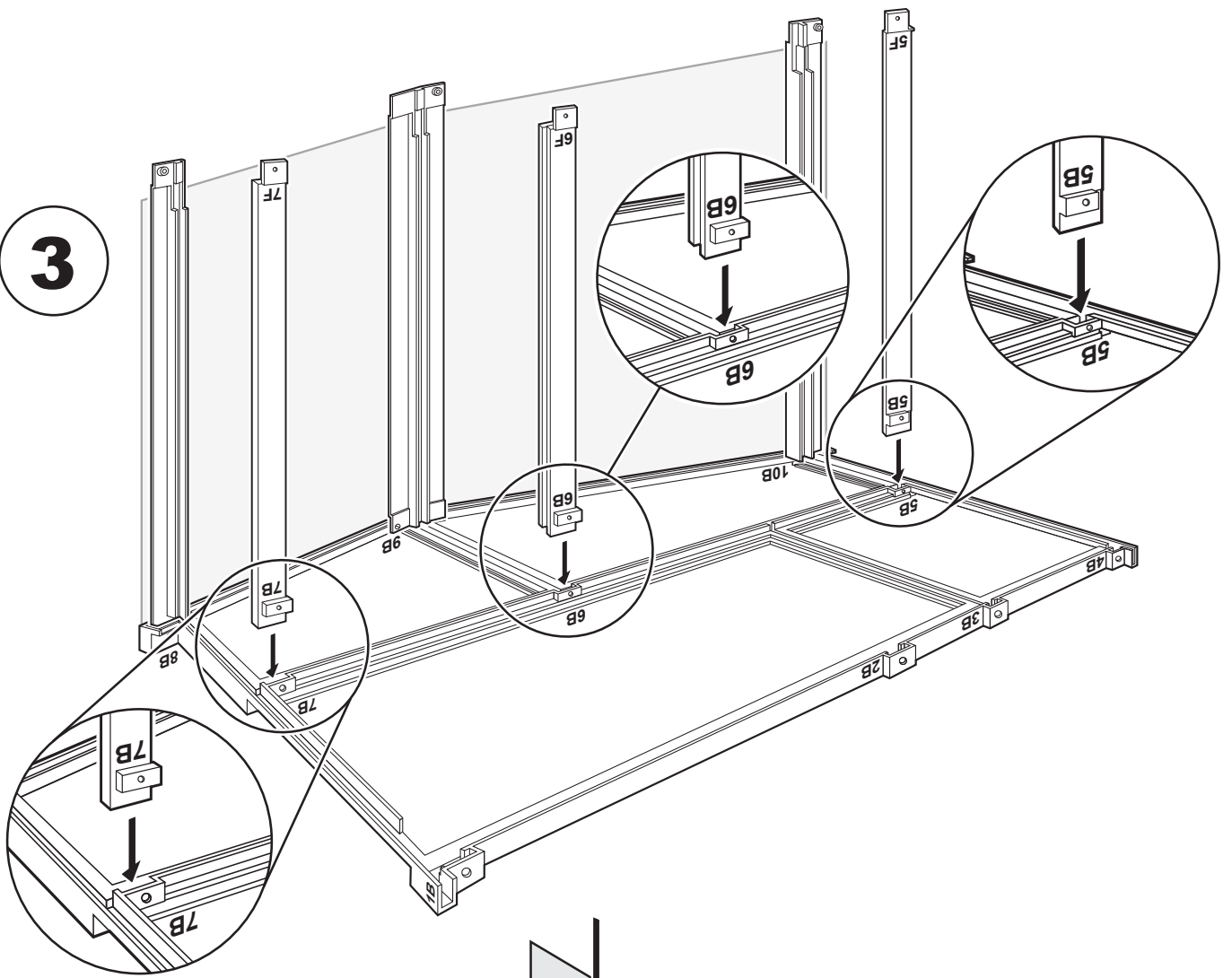
1



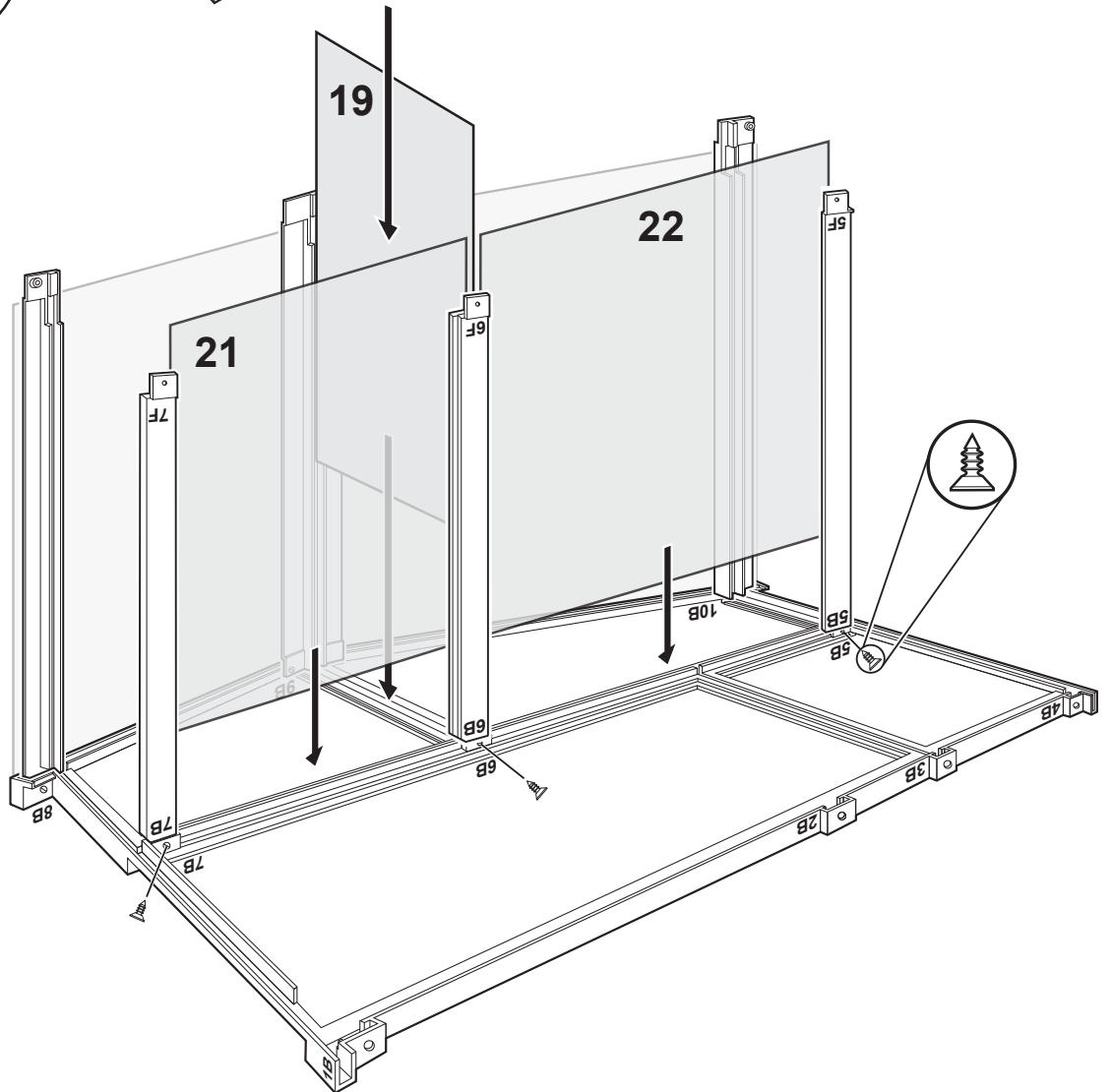
2



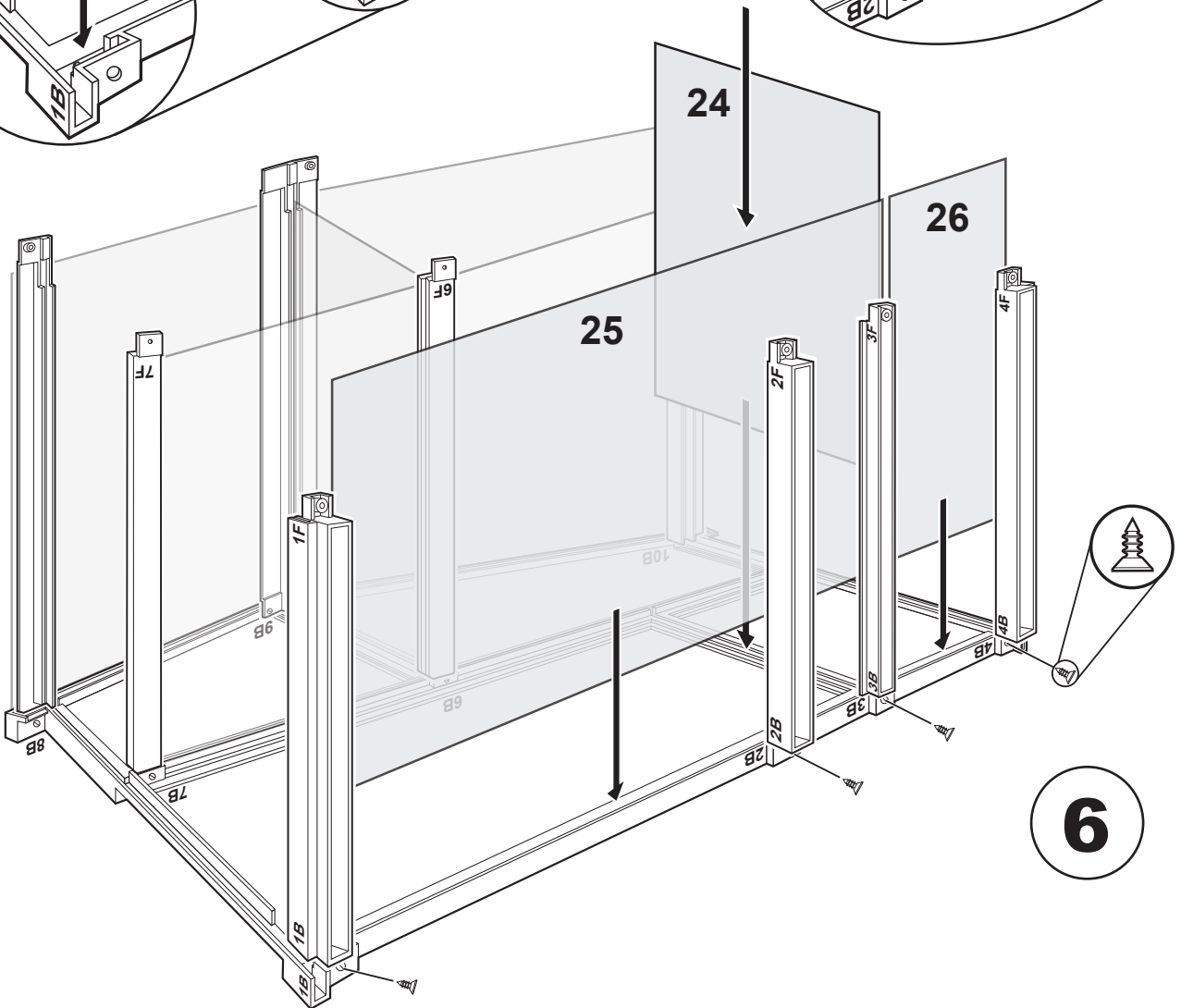
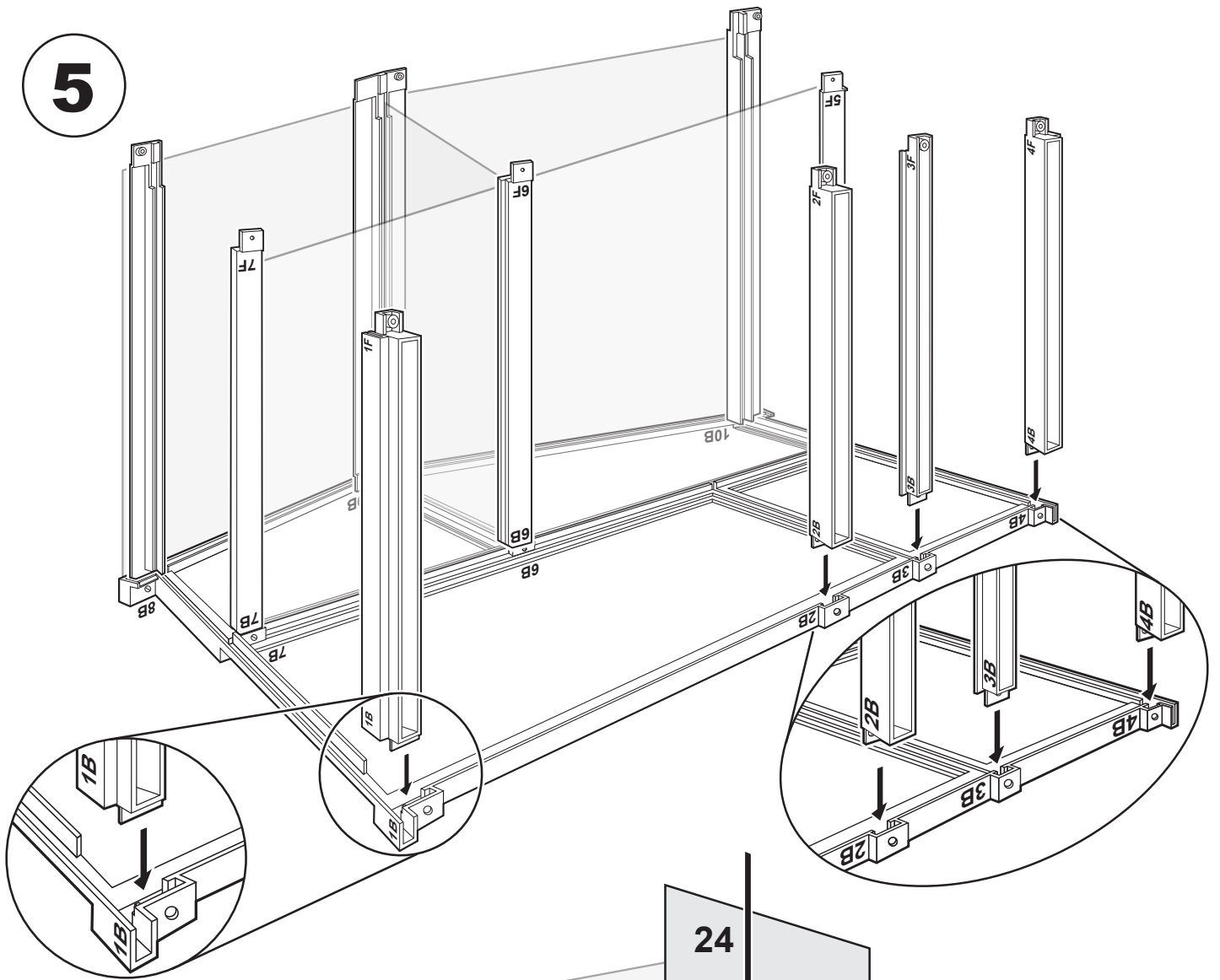
**3**



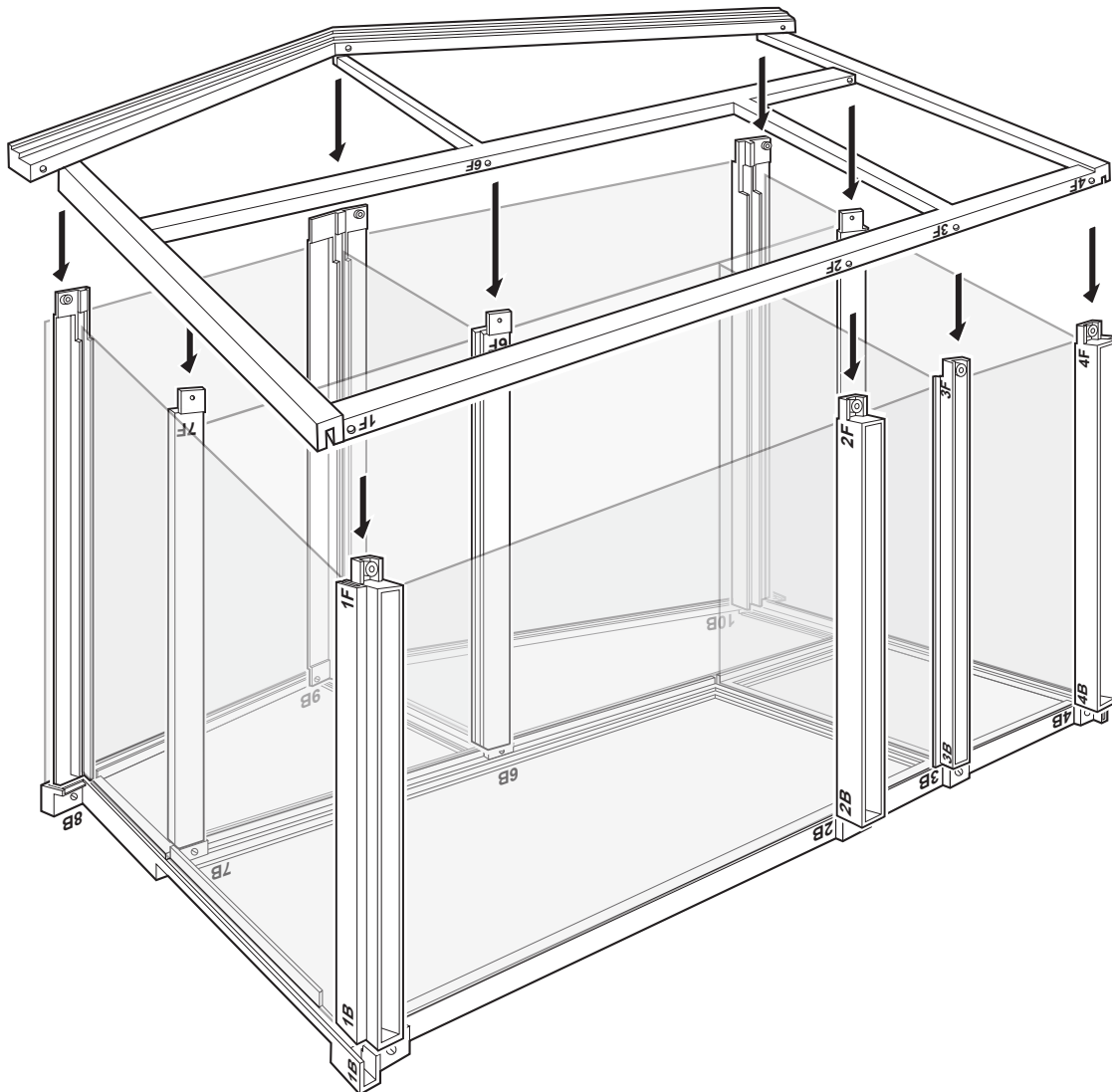
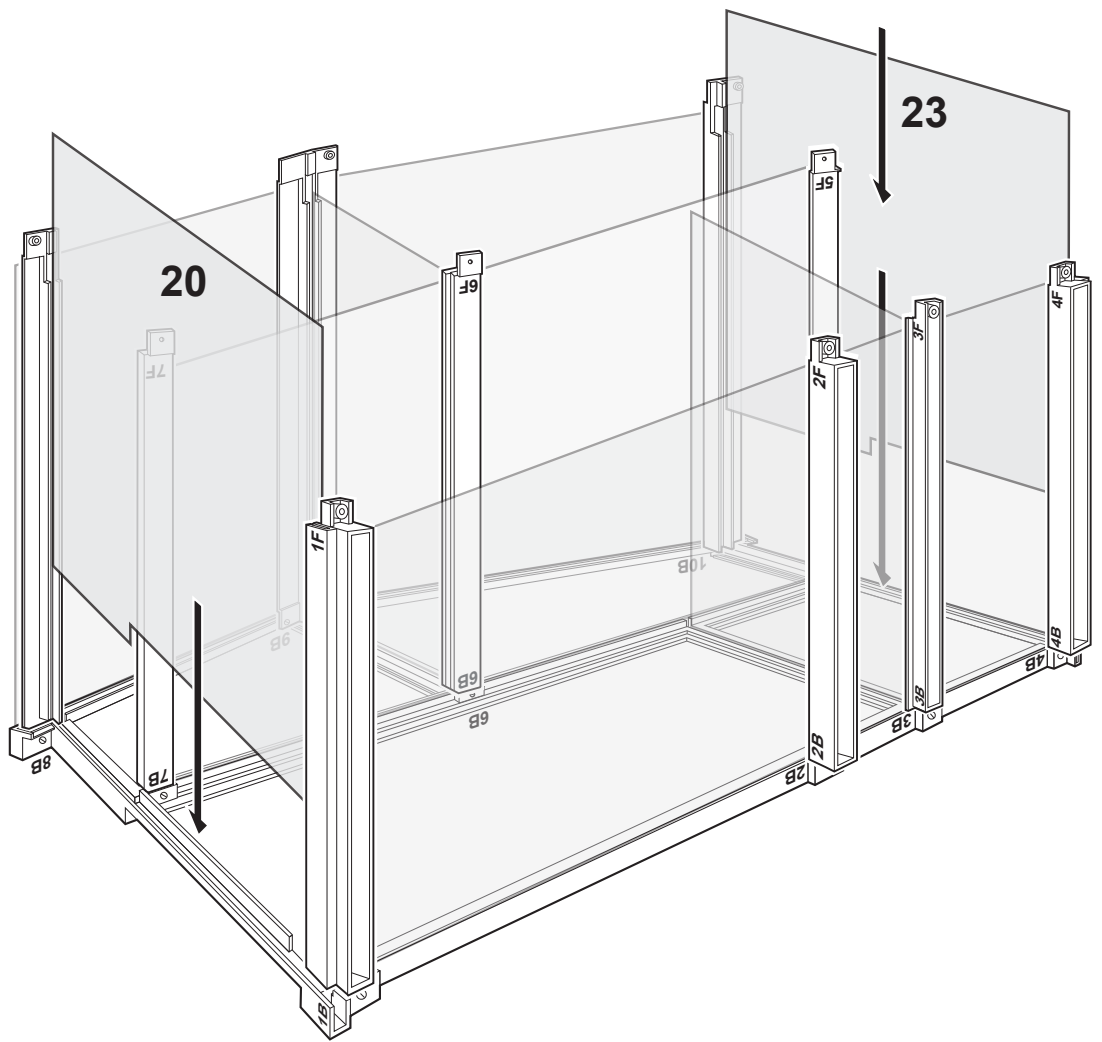
**4**



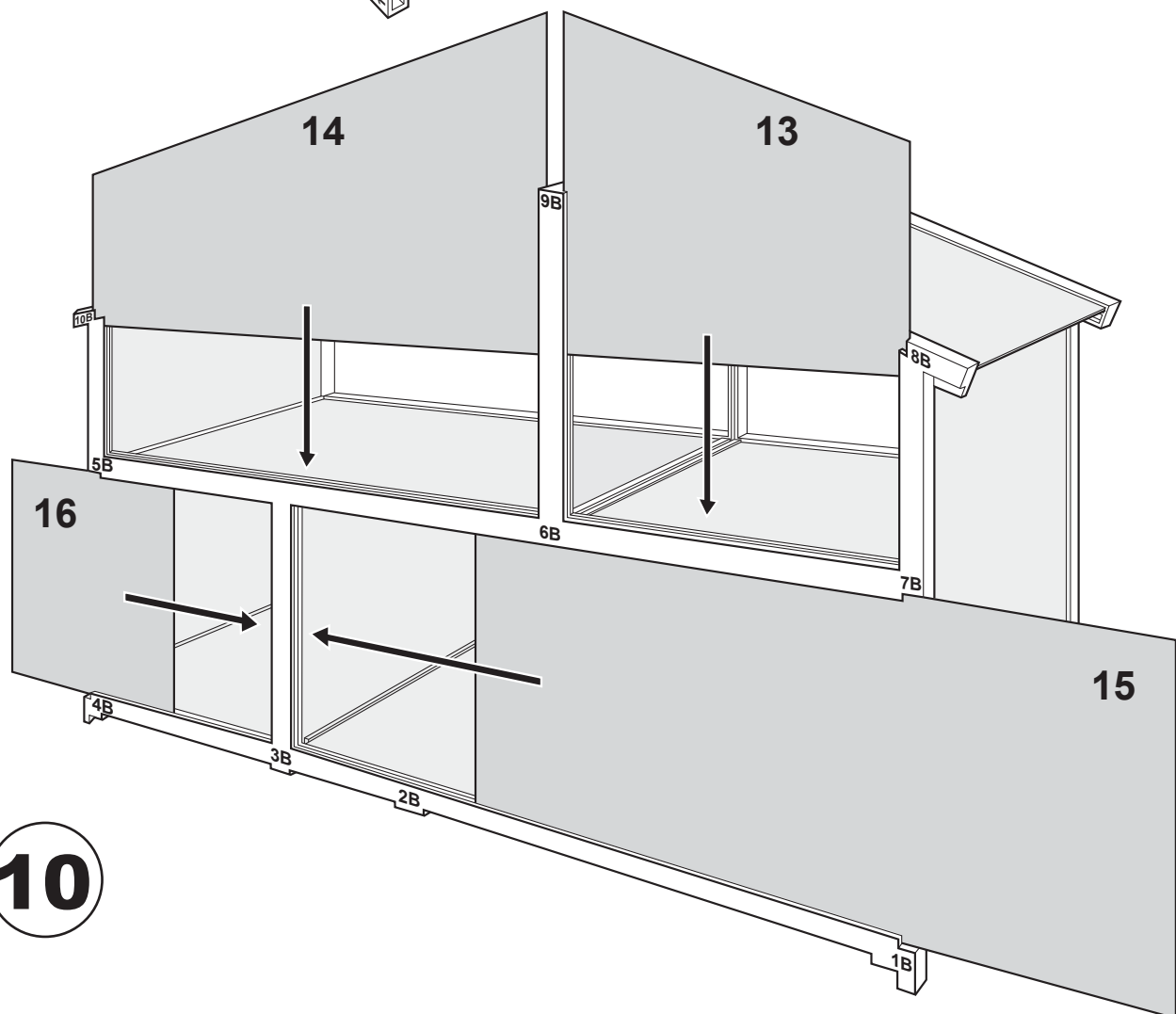
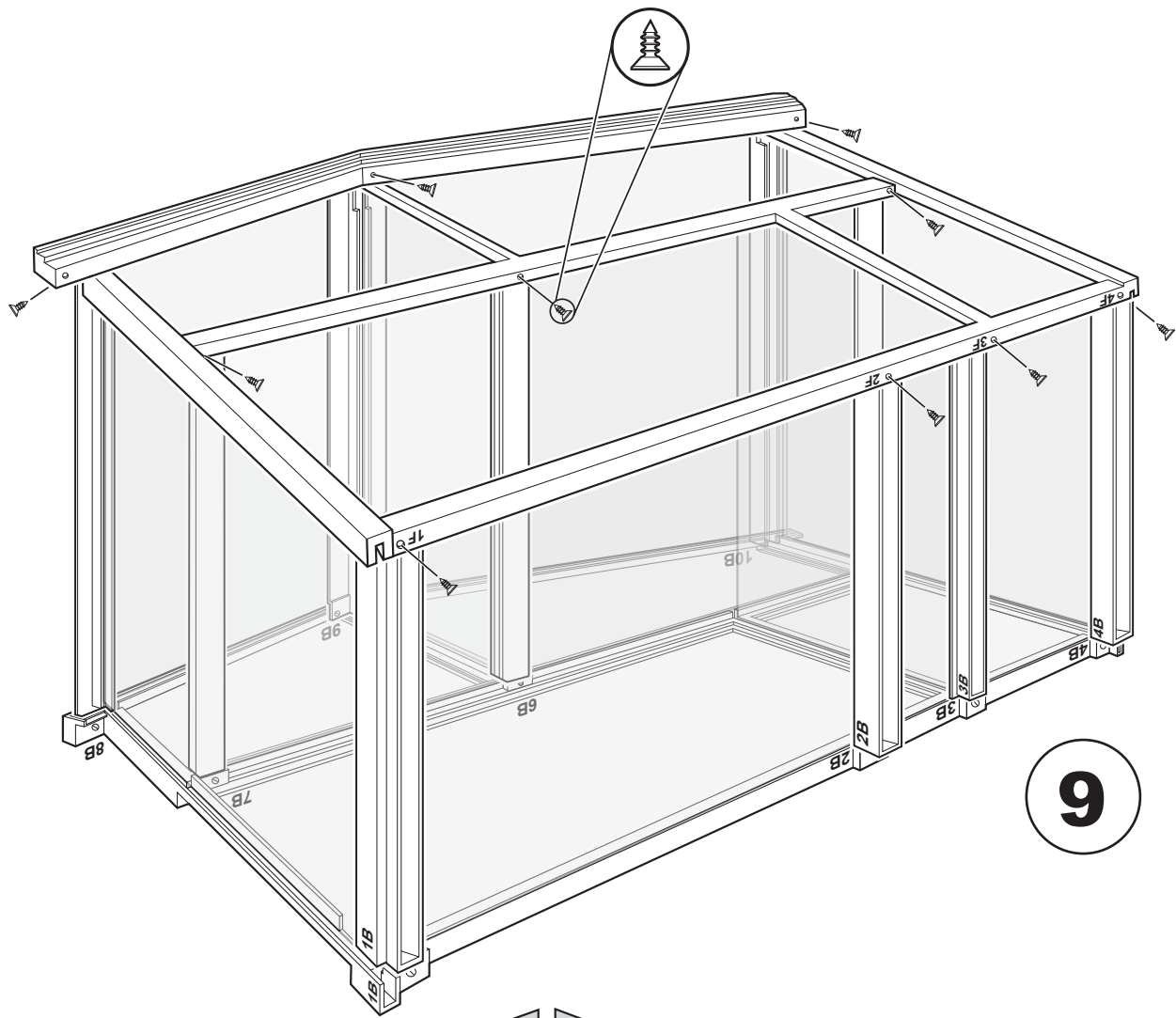
5



7



8





Head Office Sweden, Micki Leksaker AB  
Industrivägen 7 SE-355 73 Gemla  
E-mail [info@micki.se](mailto:info@micki.se), [www.lundby.com](http://www.lundby.com)