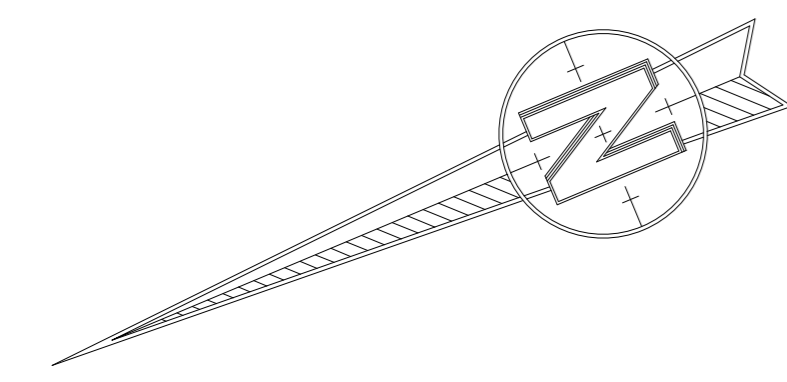
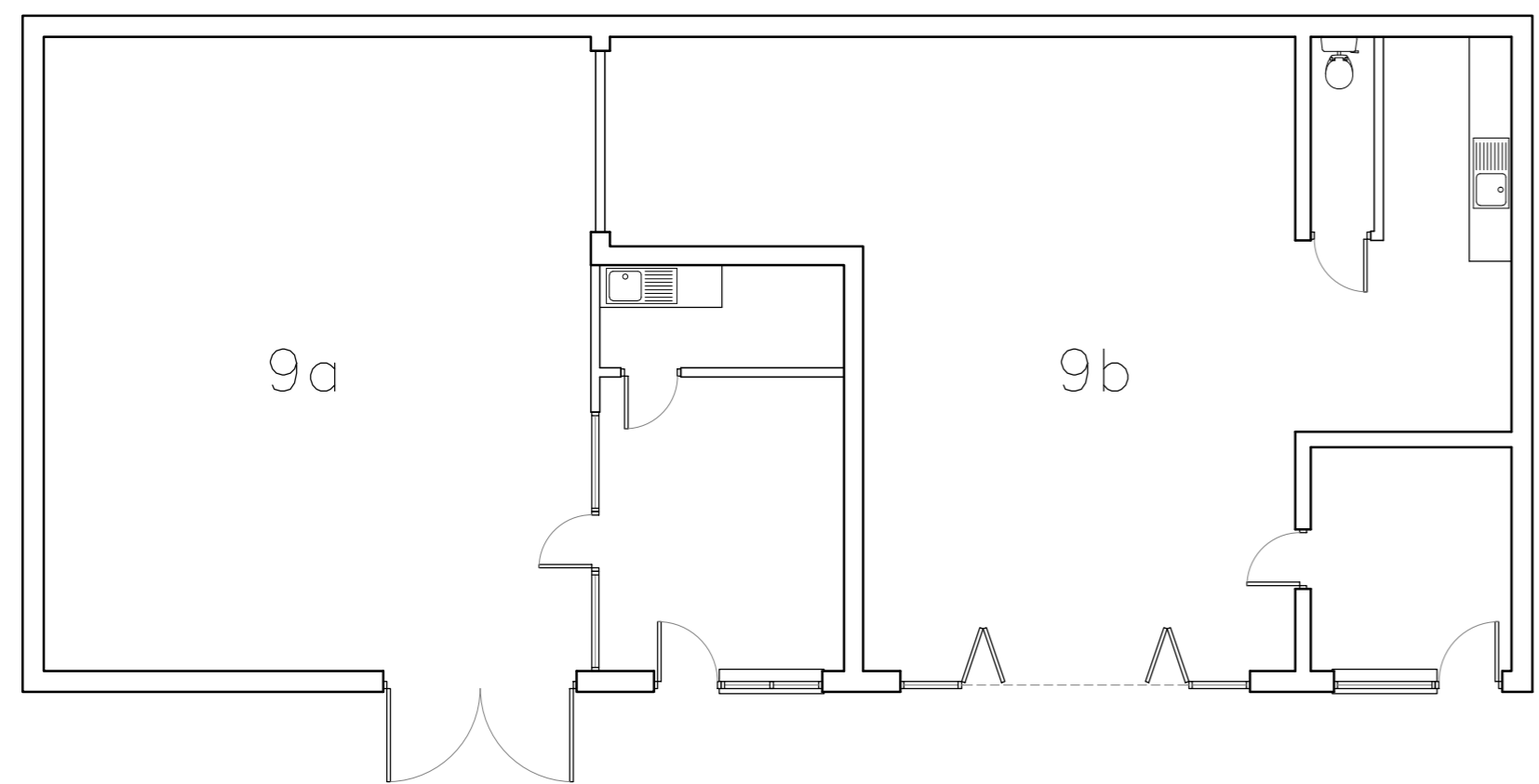
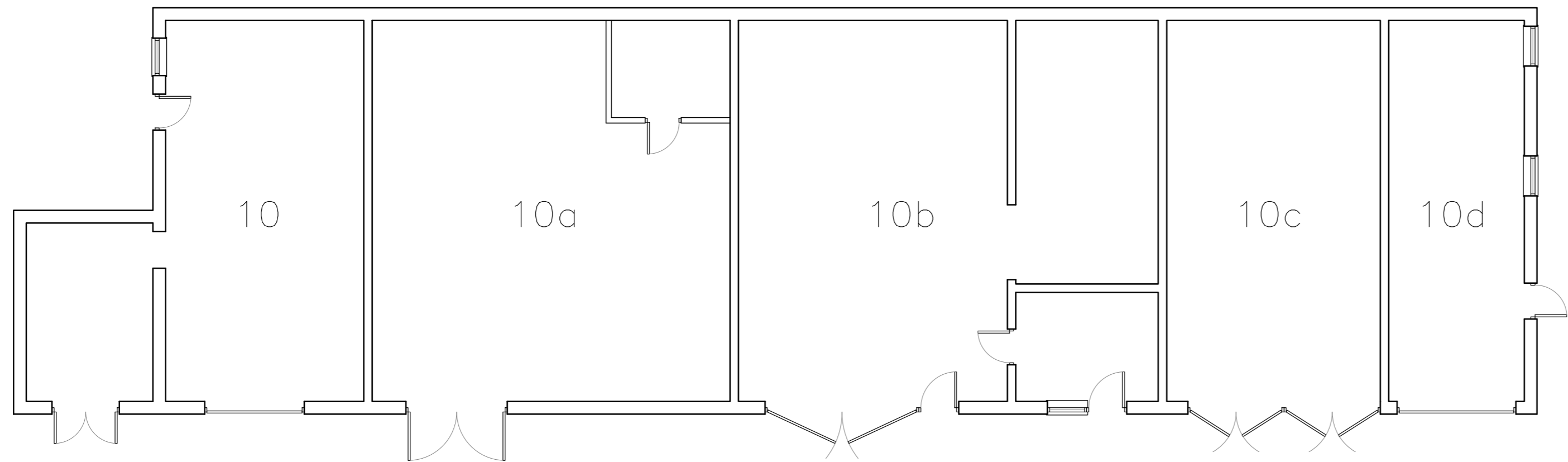
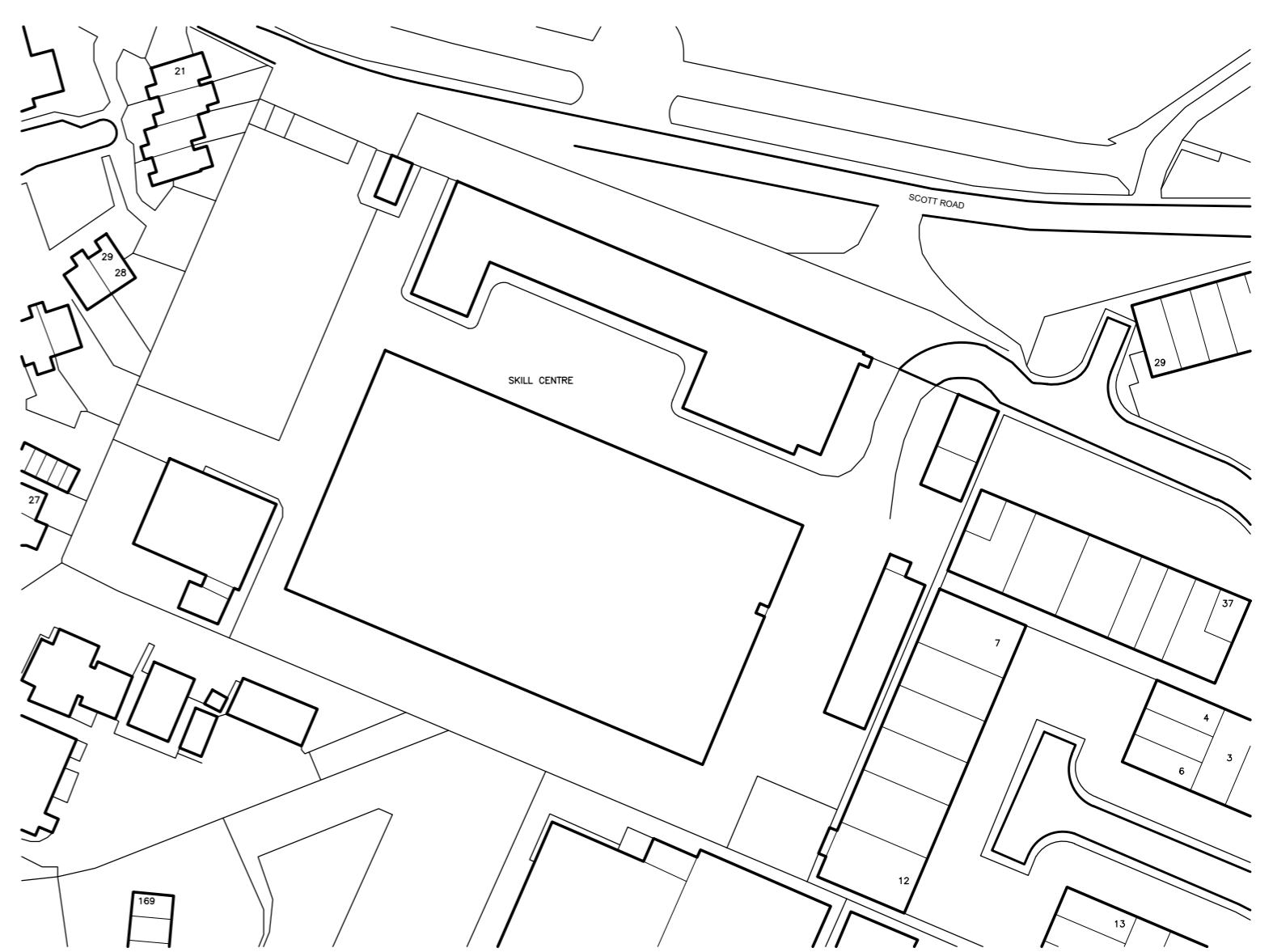


0m 1m 2m 3m 4m 5m 6m 7m 8m 9m 10m



0m 10m 20m 30m 40m 50m
K.A.D. Licensed O.S. No. 100047482



| | | | |
|-----|----------|----|------|
| Rev | Revision | By | Date |
| | | | |

K NIGHT ARCHITECTURAL DESIGN
K.A.D. Ltd
Ground Floor Suite
94 Richmond Court
Bodley Road
Southampton
SO31 1BA
T: 01489 660194
E: admin@k-a-d.co.uk
W: www.k-a-d.co.uk

Client: **PETCHEY HOLDINGS**

Project: **BLOCK D
SKILL CENTRE
LIMBERLINE SPUR
PORTSMOUTH
PO3 5LF**

Drawing: **FLOOR PLANS**

Scale: **1:100@A2** Date: **NOV 2017**

| Project no. | Sequential | Block/Floor | Detail | Rev |
|-------------|------------|-------------|--------|-----|
| KAD | 04 | A | EX | . |