

GENERAL NOTES:

1. THE DRAWING TO BE READ IN CONJUNCTION WITH ALL OTHER DRAWINGS AND SPECIFICATIONS.
2. IT IS THE CONTRACTOR'S RESPONSIBILITY TO CHECK ALL DIMENSIONS AND ASSURANCES TO BE PROVIDED TO THE IMMEDIATE ATTENTION OF THE ARCHITECT IN WRITING.
3. ALL DIMENSIONS ARE IN MILLIMETRES UNLESS NOTED OTHERWISE.
4. ALL WORKS ARE IN ACCORD, UNLESS NOTED OTHERWISE.
5. THE CONTRACTOR SHALL BE RESPONSIBLE FOR RECTIFYING ANY DIMENSIONAL ERRORS OR OMISSIONS THAT DOES NOT COMPLY WITH THE ARCHITECT'S INTENTIONS.
6. THE CONTRACTOR SHALL BE RESPONSIBLE FOR RECTIFYING ANY DIMENSIONAL ERRORS OR OMISSIONS THAT DOES NOT COMPLY WITH THE ARCHITECT'S INTENTIONS.
7. ALL DIMENSIONS ARE IN MILLIMETRES UNLESS NOTED OTHERWISE.
8. THE CONTRACTOR SHALL BE RESPONSIBLE FOR RECTIFYING ANY DIMENSIONAL ERRORS OR OMISSIONS THAT DOES NOT COMPLY WITH THE ARCHITECT'S INTENTIONS.
9. THE CONTRACTOR SHALL BE RESPONSIBLE FOR RECTIFYING ANY DIMENSIONAL ERRORS OR OMISSIONS THAT DOES NOT COMPLY WITH THE ARCHITECT'S INTENTIONS.
10. THE CONTRACTOR SHALL BE RESPONSIBLE FOR RECTIFYING ANY DIMENSIONAL ERRORS OR OMISSIONS THAT DOES NOT COMPLY WITH THE ARCHITECT'S INTENTIONS.
11. THE CONTRACTOR SHALL BE RESPONSIBLE FOR RECTIFYING ANY DIMENSIONAL ERRORS OR OMISSIONS THAT DOES NOT COMPLY WITH THE ARCHITECT'S INTENTIONS.
12. THE CONTRACTOR SHALL BE RESPONSIBLE FOR RECTIFYING ANY DIMENSIONAL ERRORS OR OMISSIONS THAT DOES NOT COMPLY WITH THE ARCHITECT'S INTENTIONS.
13. THE CONTRACTOR SHALL BE RESPONSIBLE FOR RECTIFYING ANY DIMENSIONAL ERRORS OR OMISSIONS THAT DOES NOT COMPLY WITH THE ARCHITECT'S INTENTIONS.
14. THE CONTRACTOR SHALL BE RESPONSIBLE FOR RECTIFYING ANY DIMENSIONAL ERRORS OR OMISSIONS THAT DOES NOT COMPLY WITH THE ARCHITECT'S INTENTIONS.
15. THE CONTRACTOR SHALL BE RESPONSIBLE FOR RECTIFYING ANY DIMENSIONAL ERRORS OR OMISSIONS THAT DOES NOT COMPLY WITH THE ARCHITECT'S INTENTIONS.

STEELWORK:

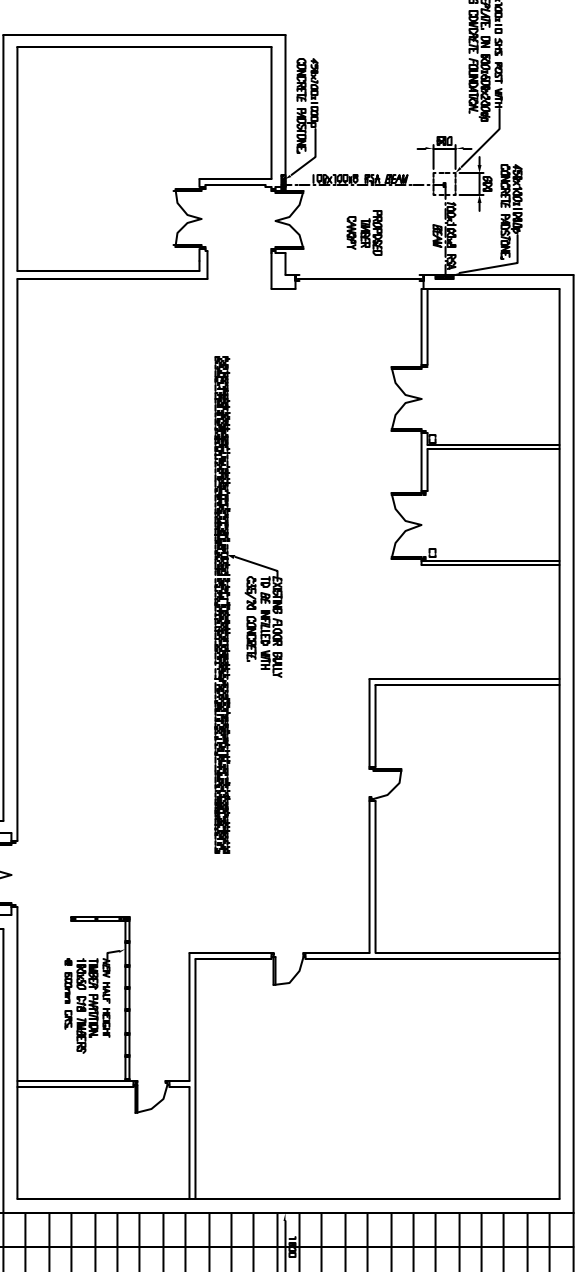
10. ALL STEELWORK TO BE MADE USING STEEL WITH A MIN. YIELD STRENGTH OF 355 N/MM².
11. ALL FACTS TO BE SHOWN AS SHOWN DRAWINGS.
12. ALL STEELWORK TO BE SHOT BLENDED TO S20 AND FINISHED WITH HAZARDOUS ZINC PHOSPHATE PRIMER TO 75 MICRONS AND TOPCOAT UP ON SITE AS REQUIRED. (UNLESS NOTED OTHERWISE)
13. THE CONTRACTOR SHALL BE RESPONSIBLE FOR CHECKING ALL SITE SIZES FROM TO FABRICATING STEELWORK.
14. ALL WELDS TO BE FULLY FACED WITH SAFE AND KEPT TO PROVIDE UNIFORM BEARING.
15. ALL COLUMN BASES TO BE CHECKED USING NON SHANK HSI SPECTRUM DESCRIBED BELOW.

CONCRETE:

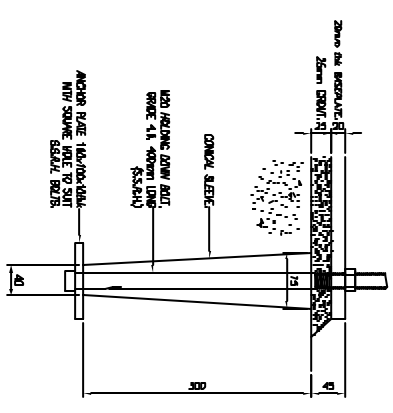
16. STRUCTURE CONCRETE SHALL BE QUALITY CONTROLLED, MANUFACTURED AND SUPPLIED BY AN APPROVED SUPPLIER. THE CONTRACTOR SHALL BE RESPONSIBLE FOR OBTAINING ALL NECESSARY APPROVALS AND PERMITS FOR THE CONCRETE WORK.
17. STRUCTURE CONCRETE SHALL HAVE A MINIMUM CHARACTER STRENGTH OF 35 N/MM² AT 28 DAYS.
18. THE CONTRACTOR SHALL BE RESPONSIBLE FOR OBTAINING ALL NECESSARY APPROVALS AND PERMITS FOR THE CONCRETE WORK.
19. THE CONTRACTOR SHALL BE RESPONSIBLE FOR OBTAINING ALL NECESSARY APPROVALS AND PERMITS FOR THE CONCRETE WORK.
20. THE CONTRACTOR SHALL BE RESPONSIBLE FOR OBTAINING ALL NECESSARY APPROVALS AND PERMITS FOR THE CONCRETE WORK.
21. THE CONTRACTOR SHALL BE RESPONSIBLE FOR OBTAINING ALL NECESSARY APPROVALS AND PERMITS FOR THE CONCRETE WORK.
22. THE CONTRACTOR SHALL BE RESPONSIBLE FOR OBTAINING ALL NECESSARY APPROVALS AND PERMITS FOR THE CONCRETE WORK.
23. THE CONTRACTOR SHALL BE RESPONSIBLE FOR OBTAINING ALL NECESSARY APPROVALS AND PERMITS FOR THE CONCRETE WORK.
24. THE CONTRACTOR SHALL BE RESPONSIBLE FOR OBTAINING ALL NECESSARY APPROVALS AND PERMITS FOR THE CONCRETE WORK.
25. THE CONTRACTOR SHALL BE RESPONSIBLE FOR OBTAINING ALL NECESSARY APPROVALS AND PERMITS FOR THE CONCRETE WORK.

TIMBER:

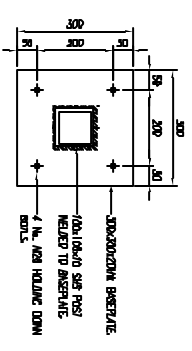
22. ALL STRUCTURAL TIMBERS ARE TO BE STRUCTURE CLASS C18.
23. ALL WELLS SHALL BE 300 x 300 x 3000 SQUARE TIMBER AS SPECIFIED BY THE ARCHITECT'S INTENTIONS.
24. ALL JOINTS, UNLESS OTHERWISE SPECIFIED, SHALL BE MADE BY THE ARCHITECT'S INTENTIONS.
25. ALL JOINTS SHALL BE MADE BY THE ARCHITECT'S INTENTIONS.



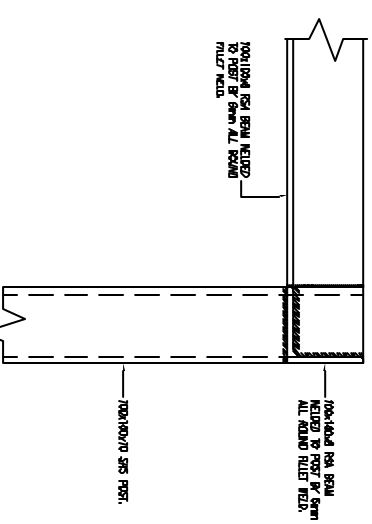
PROPOSED FLOOR LAYOUT
SCALE 1:100



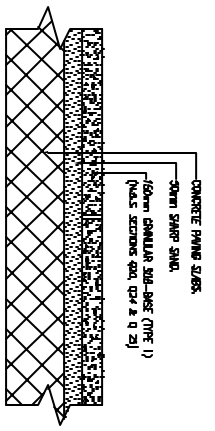
PROPOSED HOLDING DOWN BOLT DETAIL
SCALE 1:5



PROPOSED BASEPLATE DETAIL
SCALE 1:10



TYPICAL POST CONNECTION DETAIL
SCALE 1:5



SLABBED AREA CONSTRUCTION
SCALE 1:10

client	PEARL ASSURANCE PLC
architect	THOMAS AND ADAMSON
project	CALIBRATION LAB
drawing	PROPOSED LAYOUT AND DETAILS OF ALTERATIONS
date	05-NEW-101
drawn	DMM
checked	
issued for	PERMITS
scale (A1)	revision
AS SHOWN	

sidey|associates
Consulting Civil and Structural Engineers

Empire House
131 West Nile Street
Drogheda, Co. Dub.
email: admin@sideyassociates.co.uk

tel: 0141 332 4464
fax: 0141 332 4664