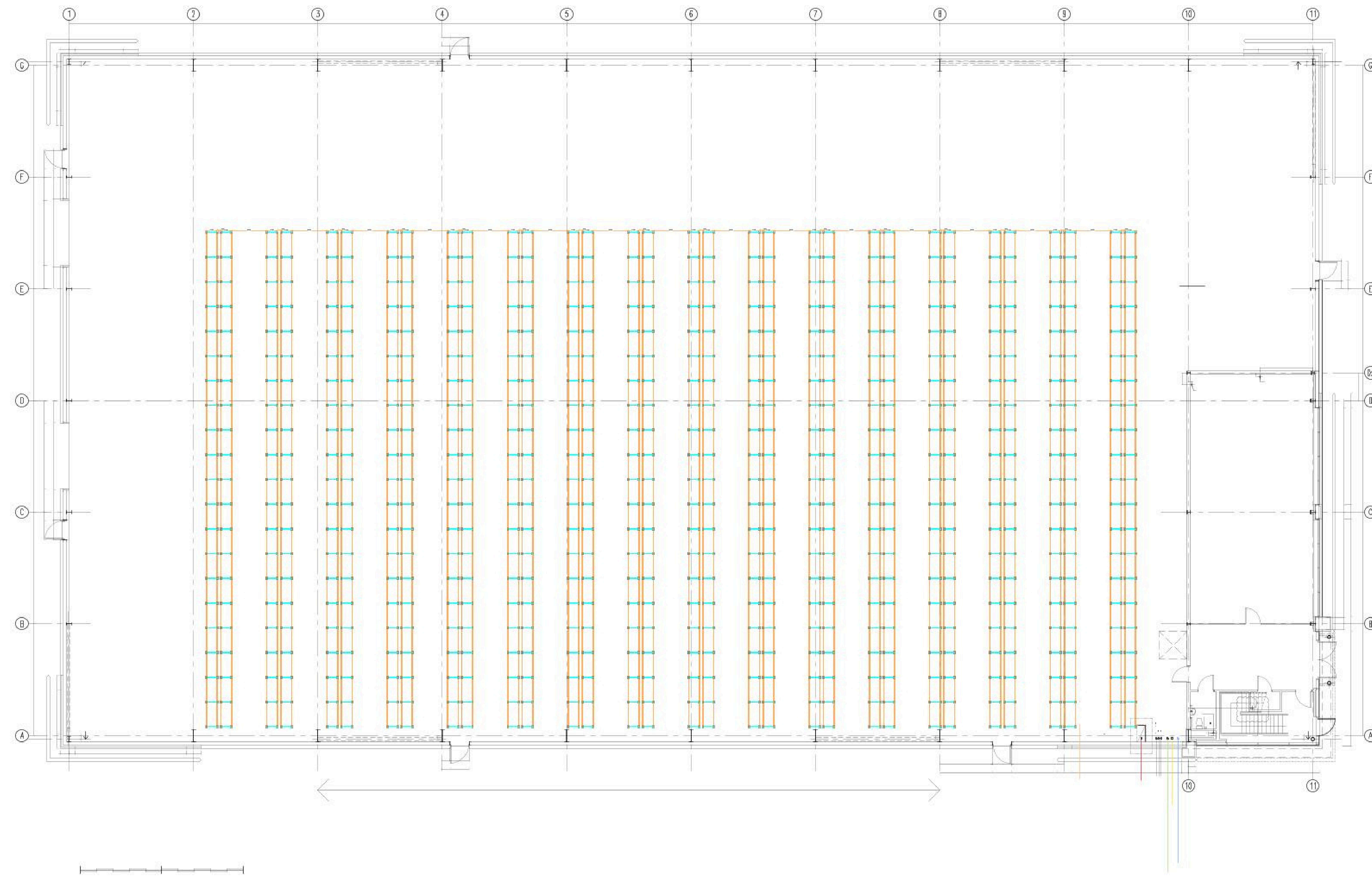


FLOOR PLAN - 1:200 SCALE

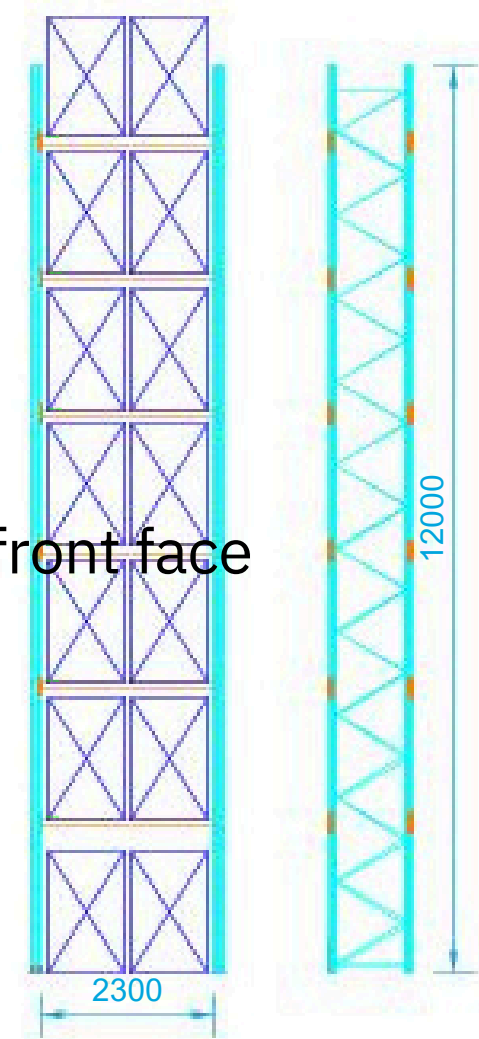


ELEVATIONS - 1:100 SCALE

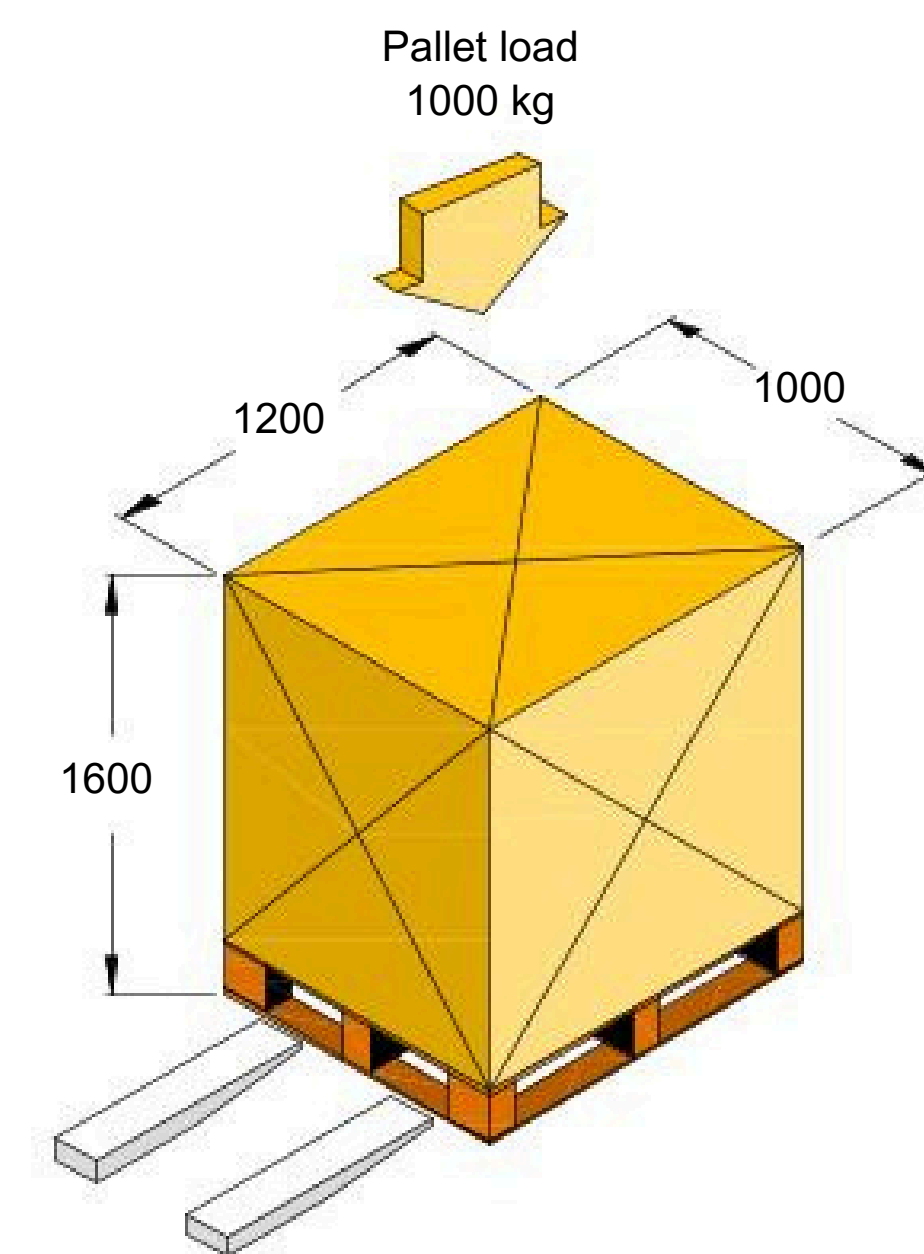
Racking Bay Profile

Design based on:

- Height: 1600mm pallet
- Weight: 1000kgs per pallet
- UK Pallet Stored 1000mm front face



KEY DESIGN NOTES: 1:25 SCALE

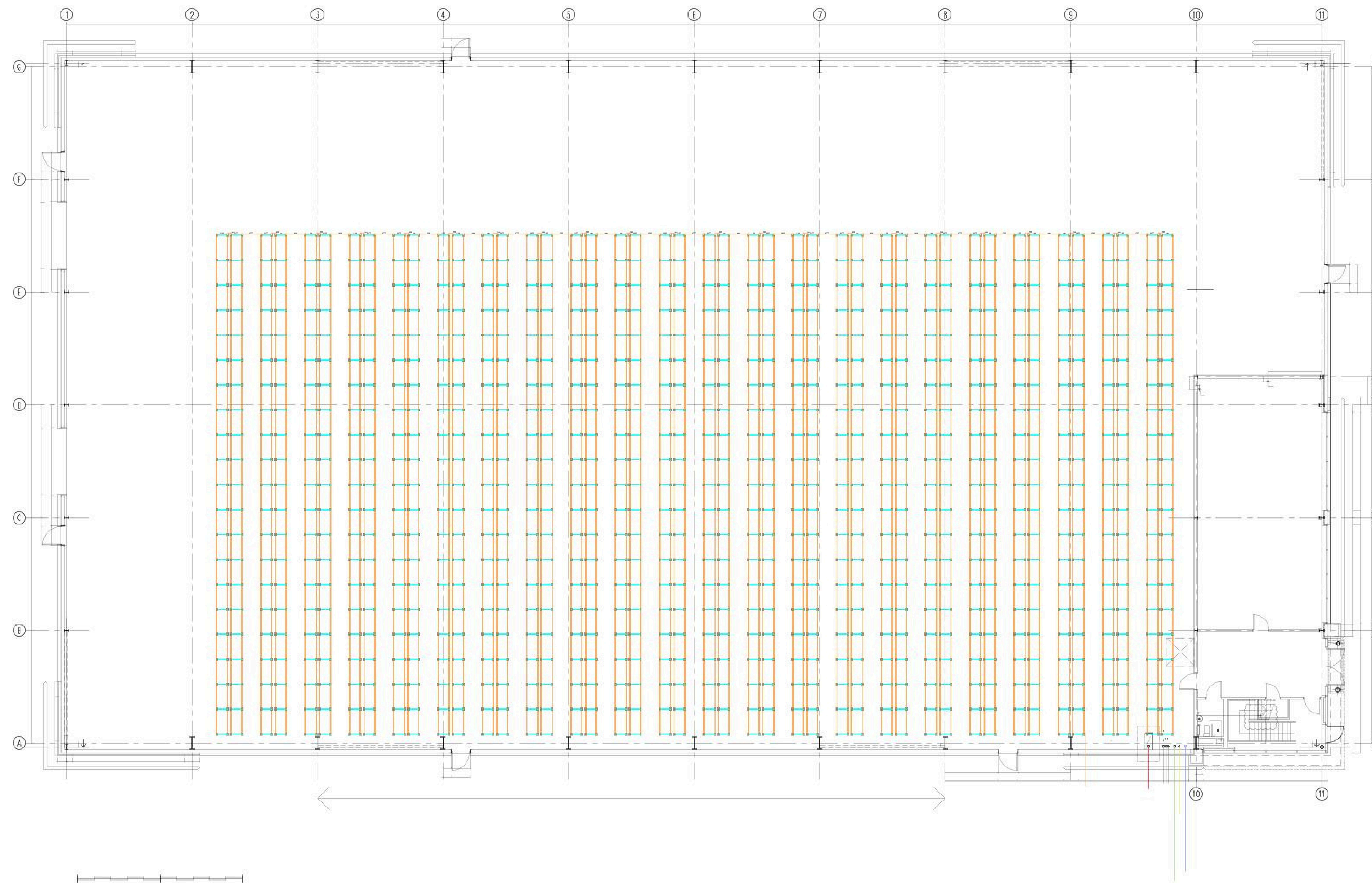


PALLET COUNT

10500 no UK Pallets stored as shown above.

WIDE AISLE

FLOOR PLAN - 1:200 SCALE

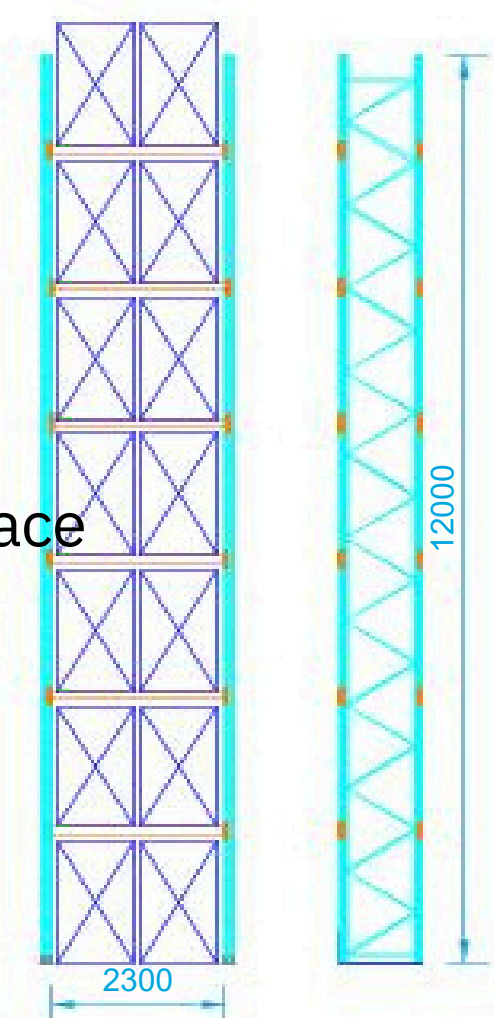


ELEVATIONS - 1:100 SCALE

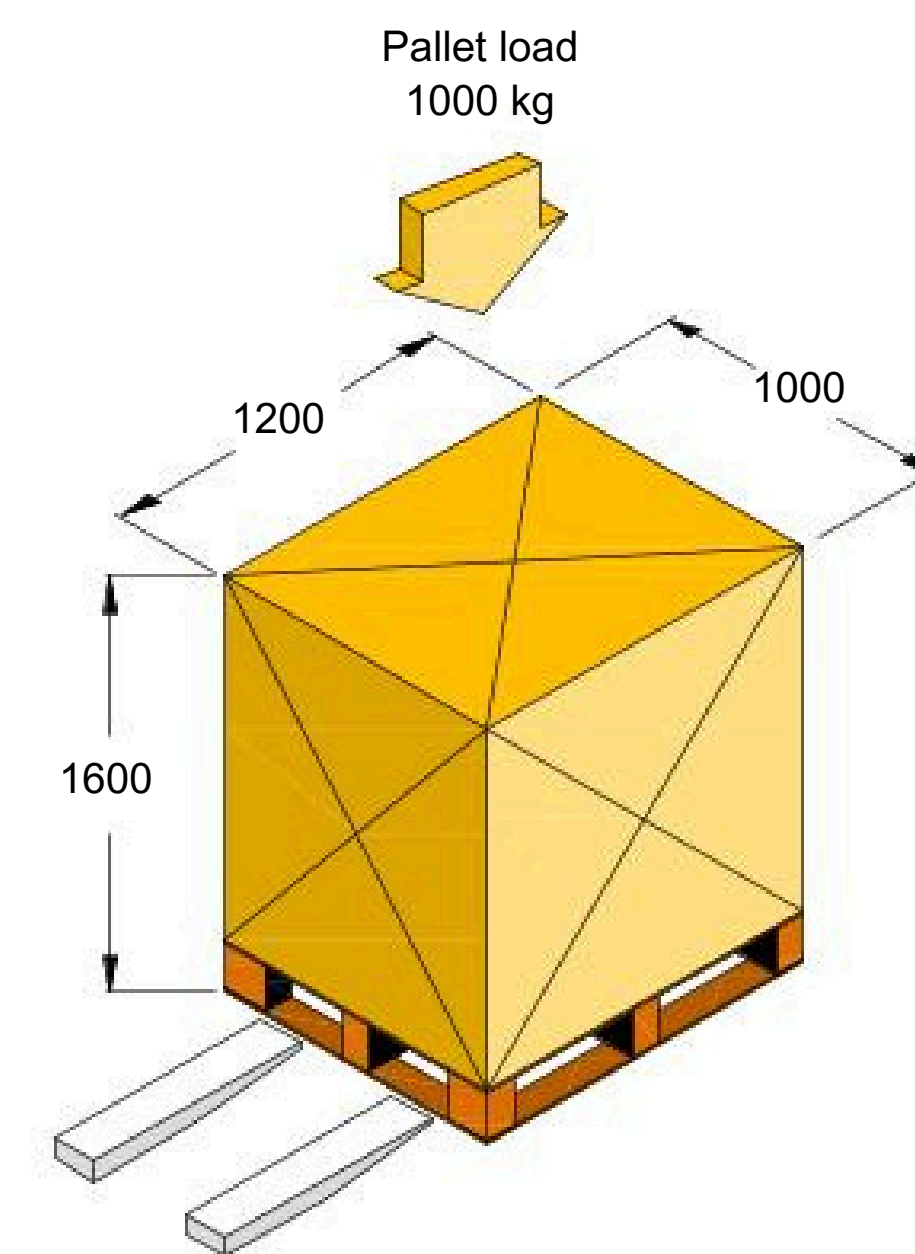
Racking Bay Profile

Design based on:

- Height: 1600mm pallet
- Weight: 1000kgs per pallet
- UK Pallet Stored 1000mm front face



KEY DESIGN NOTES: 1:25 SCALE



PALLET COUNT

14420 no UK Pallets stored as shown above.

This figure excludes P&D Stations on VNA Racking.

Contractors must visit the site and be responsible for taking and checking all relevant dimensions

VNA