

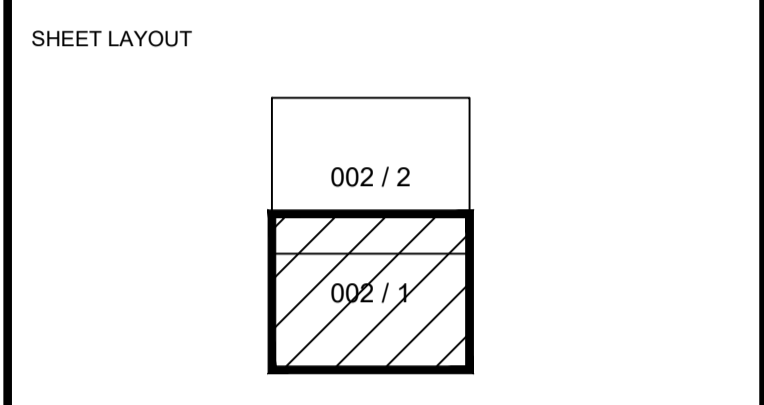
NOTES

KEY
 Grid & Datum - Local Plane Grid related to OS National Grid & Datum
 By GNSS RTK Observations

STANDARD ABBREVIATIONS
 F/A - FLOOR TO APEX HEIGHT
 F/B - FLOOR TO BEAM HEIGHT
 F/C - FLOOR TO CEILING HEIGHT
 F/CD - FLOOR TO FALSE CEILING HEIGHT
 F/H - FLOOR TO HEAD HEIGHT
 F/S - FLOOR TO SILL HEIGHT
 F/SB - FLOOR TO SPRING HEIGHT

SYMBOLS

	DOOR		TOILET		SINK & DRAINER
	BATH		WASH BASIN		URINAL
	STRUCTURAL		SLUICE SINK		



Rev	Date	Drawn	Description	Chkd	Appt

N D OLIVER & CO
 CHARTERED GEOMATIC SURVEYORS

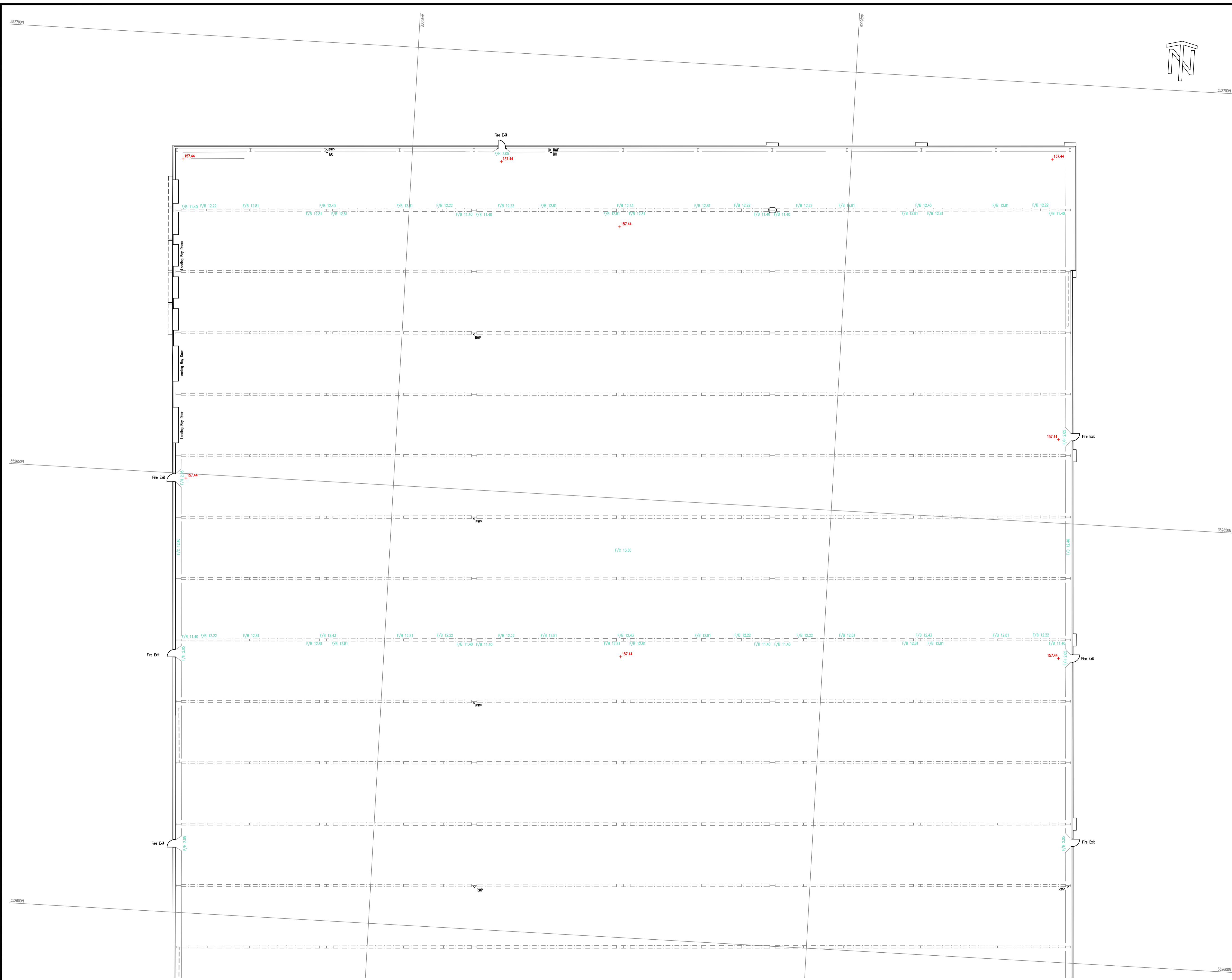
Jupiter House, 21 Roebuck Lane, Sale, Manchester, M33 7SY
 T: 0161 973 3495 F: 0161 962 6819
 E: mail@ndoliver.com www.ndoliver.com

Client
TILSTONE
 GORSE STACKS HOUSE
 GEORGE STREET
 CHESTER
 CH1 3EQ

Title
 217 SHERWOOD
 NOTTINGHAM

GROUND FLOOR PLAN
 SHEET 1 OF 2

Surveyed	DG	Drawn	PK	Drawn Date
Checked	BW	Approved	AM	25/10/2019
Scale	1:200 @ A1	Project	10365	Status
CAD File	H:\CD\10365\10365.dwg		ORIG	
Drawing No	10365 / 002 / 1		Rev	0



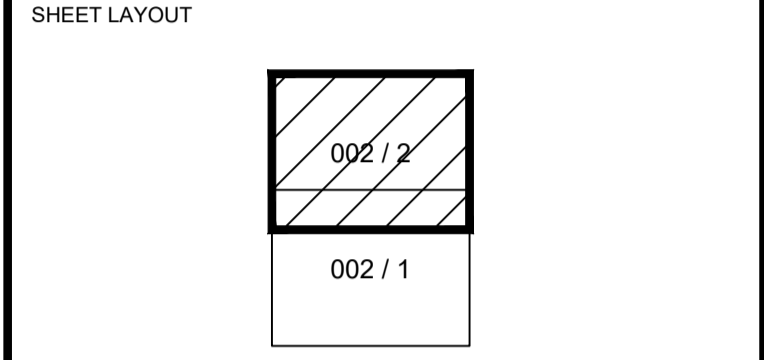
NOTES

KEY
 Grid & Datum - Local Plane Grid related to OS National Grid & Datum
 By GNSS RTK Observations

STANDARD ABBREVIATIONS
 F/A - FLOOR TO APEX HEIGHT
 F/B - FLOOR TO BEAM HEIGHT
 F/C - FLOOR TO CEILING HEIGHT
 F/FC - FLOOR TO FALSE CEILING HEIGHT
 F/H - FLOOR TO HEAD HEIGHT
 F/S - FLOOR TO SILL HEIGHT
 F/SP - FLOOR TO SPRING HEIGHT

SYMBOLS

	DOOR		TOILET		SINK & DRAINER
	BATH		WASH BASIN		URINAL
	STRUCTURAL		SLUICE SINK		



Rev	Date	Drawn	Description	Chkd	Appt

N D OLIVER & CO
 CHARTERED GEOMATIC SURVEYORS

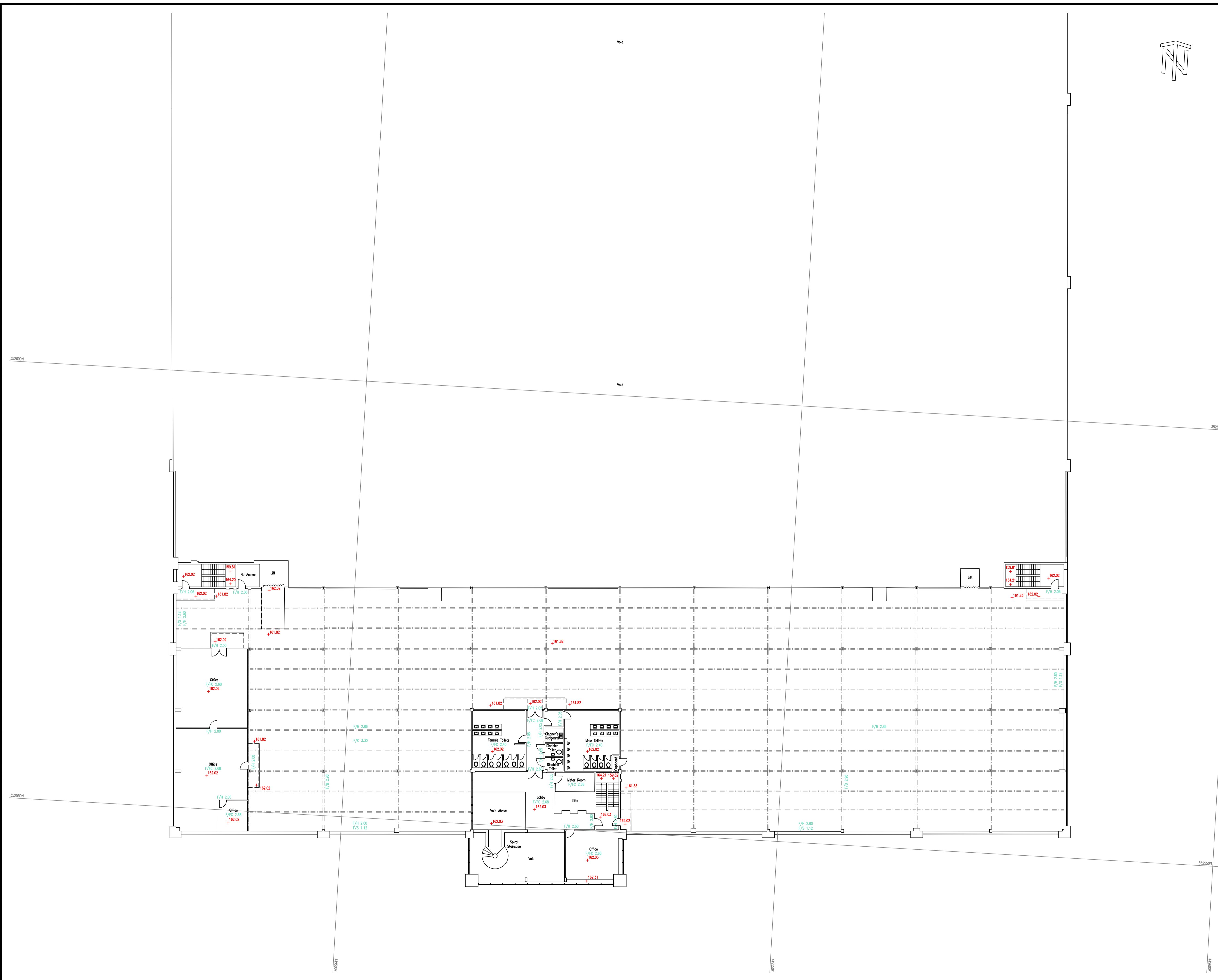
Jupiter House, 21 Roebuck Lane, Sale, Manchester, M33 7SY
 T: 0161 973 3495 F: 0161 962 6819
 E: mail@ndoliver.com www.ndoliver.com

Client
 TILSTONE
 GORSE STACKS HOUSE
 GEORGE STREET
 CHESTER
 CH1 3EQ

Title
 217 SHERWOOD
 NOTTINGHAM

**GROUND FLOOR PLAN
 SHEET 2 OF 2**

Surveyed	DG	Drawn	PK	Drawn Date
Checked	BW	Approved	AM	25/10/2019
Scale	1:200 @ A1	Project	10365	Status
CAD File	10365/002/01.dwg			ORIG
Drawing No	10365 / 002 / 2			Rev
				0



NOTES

KEY

Grid & Datum - Local Plane Grid related to OS National Grid & Datum
By GNSS RTK Observations

STANDARD ABBREVIATIONS

F/A - FLOOR TO APEX HEIGHT
F/B - FLOOR TO BEAM HEIGHT
F/C - FLOOR TO CEILING HEIGHT
F/FC - FLOOR TO FALSE CEILING HEIGHT
F/H - FLOOR TO HEAD HEIGHT
F/S - FLOOR TO SILL HEIGHT
F/SP - FLOOR TO SPRING HEIGHT

SYMBOLS

DOOR TOILET SINK & DRAINER
BATH WASH BASIN URINAL
STRUCTURAL SLUICE SINK

Rev	Date	Drawn	Description	Chkd	Appt

N D OLIVER & CO
CHARTERED GEOMATIC SURVEYORS

Jupiter House, 21 Roebuck Lane, Sale, Manchester, M33 7SY
T: 0161 973 3495 F: 0161 962 6819
E: mail@ndoliver.com www.ndoliver.com

Client
TILSTONE
GORSE STACKS HOUSE
GEORGE STREET
CHESTER
CH1 3EQ

Title
217 SHERWOOD
NOTTINGHAM

FIRST FLOOR PLAN
SHEET 1 OF 1

Surveyed	DG	Drawn	PK	Drawn Date
Checked	BW	Approved	AM	25/10/2019
Scale	Project		Status	
1:200 @ A1	10365		ORIG	
CAD File				
Drawing No	10365 / 002 / 3		Rev	0

