



Animex International

AMX-PL

HEAVY-DUTY DESIGN FOR PERMANENT EXCLUSION FENCING & WILDLIFE PROTECTION

SPECIFICATIONS

Length	192 cm – 6 1/3 ft
Width	2.5 cm/10 cm – 1”/4”
Height	60 or 80 cm – 2 or 2 1/2’
Weight	33 or 44 kg – 73 or 97 lbs
Material	100% recycled plastic
Colour	Brown or grey

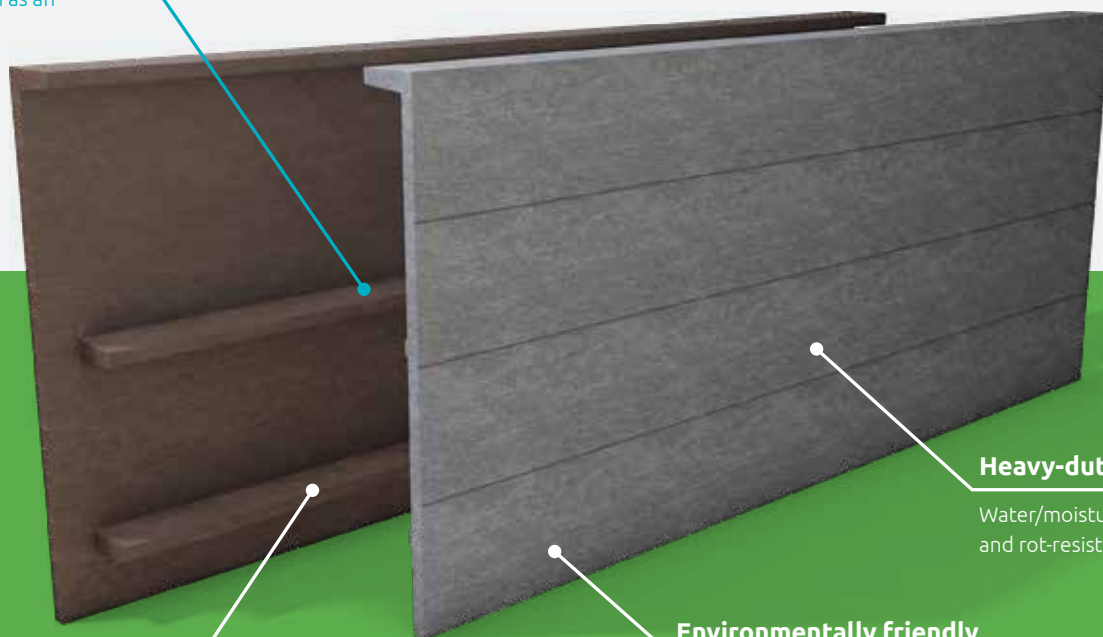
25 YEAR GUARANTEE
50+ YEAR EXPECTED LIFESPAN

Dual lip guard

Features a top lip and one mid-way down as an added barrier.

KEY FACTS

- » Robust material for permanent exclusion and mitigation projects
- » Dual lip barrier and different heights to safeguard a variety of wildlife
- » Extremely durable and weather resistant, requires no material maintenance
- » 100% recycled plastic, non-toxic, non-polluting, harmless to flora and fauna and 100% recyclable
- » Reduces the carbon footprint of any development
- » Secured into the ground with pointed posts (also 100% recycled plastic) for simple installation
- » Easy to work with if cutting, screwing or drilling



Multi-use

Bury the guard to the bottom lip to create a solid burrowing barrier. It can also be used for bank retention.

Environmentally friendly

100% recycled plastic,
100% recyclable.

Heavy-duty design

Water/moisture-repellent
and rot-resistant.

INSTALLATION GUIDE

Step 1

Dig a shallow trench 12.5–15 cm (5–6") deep so that the bottom section of the panel is buried up to, or slightly over the bottom lip. This creates a solid burrowing barrier and improves stability.

Step 2

Using 9 cm x 9 cm x 100 cm (3-1/2" x 3-1/2" x 3'3") or longer posts (depending on guard height) drive the post into the ground so it is positioned 10 cm (4") below the top lip and allows the bottom plate/lip to be buried. For example, 60 cm (2') panel using 100 cm (3'3") long posts will have each post 65 cm (2'2") in the ground to allow for a 10 cm (4") top gap, which will act as an added barrier, and a 15 cm (6") buried plate.

Step 3

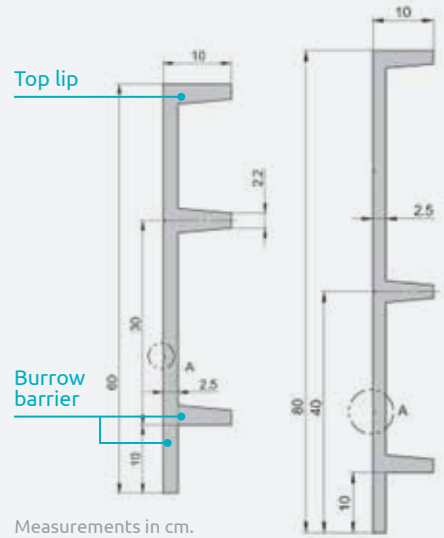
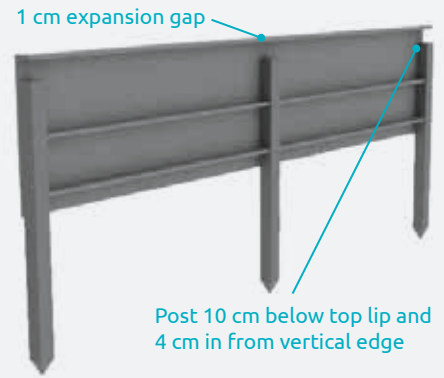
Position each post 4 cm (1-5/8") in from the vertical panel edge. As posts are 9 cm (3-1/2"), securing 4 cm (1-5/8") behind each guard will allow for a 1 cm (3/8") expansion gap between panels. Repeat this 4 cm – 1 cm – 4 cm (1-5/8" – 3/8" – 1-5/8") pattern along the length of the the installation.

Step 4

Fix three screws through the front of the panel vertically into each post at three equidistant intervals. Double staggered screws may be used at each fixing point if desired (six screws instead of three). Pre-drilling holes is recommended.

Step 5

End panels should be angled inward to safely direct wildlife. Once each guard has been properly fixed to posts, fill trench and compact soil up to, or slightly above bottom lip.



BANK REINFORCEMENT

Using 9 cm x 9 cm x 200 cm (3-1/2" x 3-1/2" x 6'6") or longer posts (depending on panel height), position four posts along the front/flat side of each panel at intervals of approximately 50 cm (1'8").

