

# AMX-T

## TEMPORARY WILDLIFE FENCING

3 YEAR GUARANTEE

25+ YEAR EXPECTED LIFESPAN

The only purpose-built wildlife fencing products for reptiles, amphibians and small mammals.

Animex Fencing is specifically designed to control animal movement and exclude wildlife from unwanted areas such as roads and construction sites.

The unique features of our environmentally friendly fencing range have enabled contractors, engineers, project managers, farmers and biologists to implement effective wildlife control measures on extensive projects.

All our fencing products and installation guides adhere to environmental regulatory policy across the USA.

We are committed to reducing wildlife mortality and the restoration of fragmented wildlife habitats.



Free-standing AMX-T48 fencing



AMX-T40 attached to existing fencing

## SPECIES SUITABILITY

- SALAMANDERS
- TURTLES
- SNAKES
- FROGS
- LIZARDS
- SMALL MAMMALS

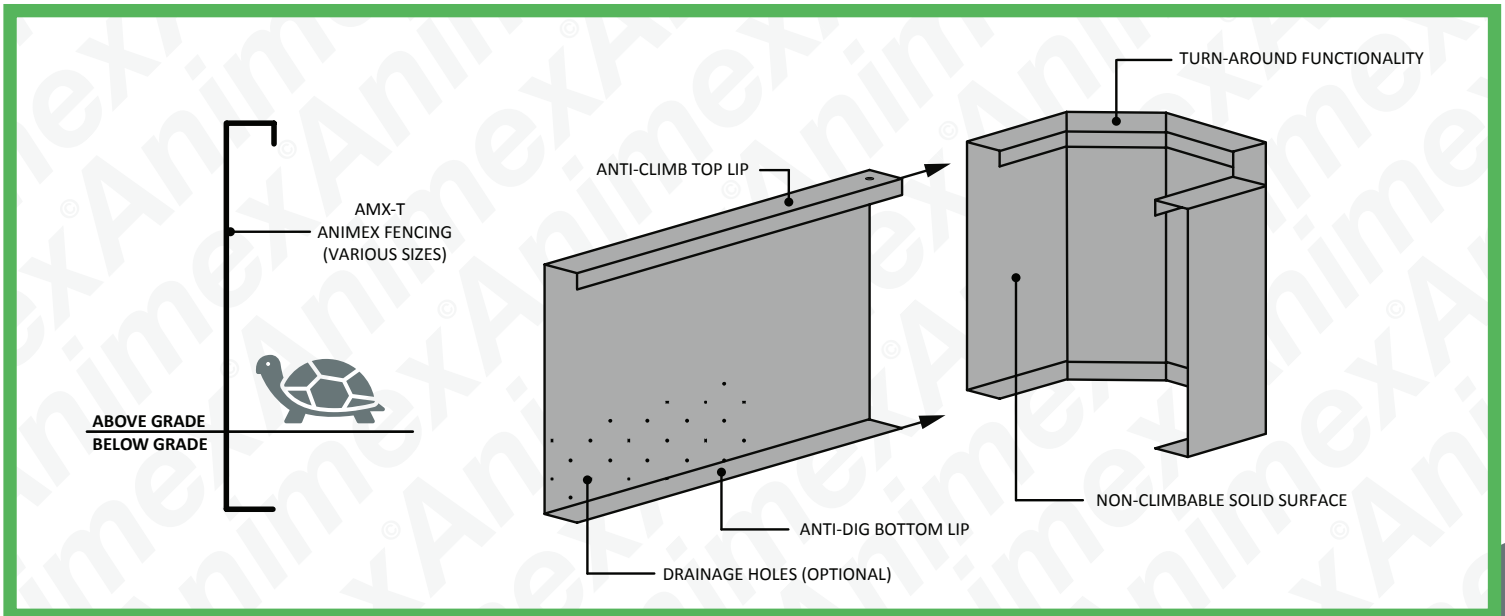
821 N 27th St, PMB #289  
Billings, MT 59101

[info@animexfencing.us](mailto:info@animexfencing.us)

+1 (406) 371-2770  
[Animexfencing.com](http://Animexfencing.com)

**MADE IN THE USA**  
PATENTED DESIGN

# ANIMEX AMX-T FENCE FEATURES



- Anti-Climb
- Anti-Dig
- Patented Design
- Drainage Holes (Optional)
- Easily Installed
- Turn-around Functionality
- Shelter Compatible
- One-way Functionality
- UV / Corrosion Resistant
- No Mesh (Animal Safe)

## SPECIFICATIONS

Height\*: 24in-60in  
 Length\*\*: 8ft - 100ft  
 Thickness: 0.04in  
 Color: Black

## INSTALLATION METHODS

- Free-standing
- Attached to fences
- Attached to barriers

## AVAILABLE HEIGHTS\*

- ✓ AMX-24
- ✓ AMX-30
- ✓ AMX-40
- ✓ AMX-48
- ✓ AMX-60
- ✓ CUSTOM

\* Based on our standard fencing (inches) before installation. We can make custom products to suit any need.

\*\*Available in rolls and sheets

## MATERIAL PROPERTIES

TEST	CONDITION	UNITS	VALUE
Density	ASTM-R1505	g/cm3	0.960
Tensile Yield Strength	ASTM-D638	psi	4500
Tensile Impact Strength	ASTD-D1822	ft.lb/in2	90
Vicat Softening Point	ASTM-D1525	°C	128
Low Temperature Brittleness	ASTM-746	°C	<(-75)
Hardness	ASTM-D785	Rockwell R	66
Flammability Rating	UL94 HB	-	Pass
Flow Rate (Perforated only)	ASTM- D4491	gal/sqft/	15



Animex AMX-T fencing stops plastic milk bottles from going to landfill. In fact, 365,000 milk bottles are saved per mile of fencing we make! Get in touch to find out more...

821 N 27th St, PMB #289  
 Billings, MT 59101

info@animexfencing.us

+1 (406) 371-2770  
 Animexfencing.us

**MADE IN THE USA**  
 PATENTED DESIGN

AMX-T INFORMATION SHEET

**USA**  
**Animex**