

AMX-XP

PERMANENT WILDLIFE FENCING

25 YEAR GUARANTEE
50+ YEAR EXPECTED LIFESPAN

The only purpose-built wildlife fencing products for reptiles, amphibians and small mammals.

Animex Fencing is specifically designed to control animal movement and exclude wildlife from unwanted areas such as roads and construction sites.

The unique features of our environmentally friendly fencing range have enabled contractors, engineers, project managers, farmers and biologists to implement effective wildlife control measures on extensive projects.

All our fencing products and installation guides adhere to environmental regulatory policy across the USA.

We are committed to reducing wildlife mortality and the restoration of fragmented wildlife habitats.

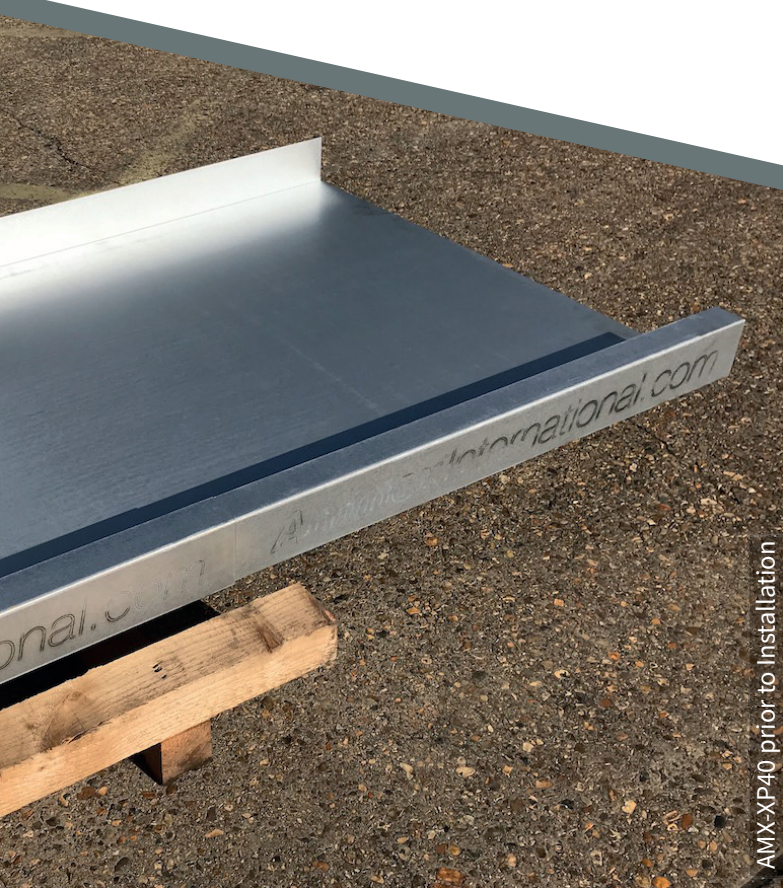


Free-standing AMX-XP(s) with powder coating

USA 
Animex
WILDLIFE FENCING & CONNECTIVITY

SPECIES SUITABILITY

- SALAMANDERS
- TURTLES
- SNAKES
- FROGS
- LIZARDS
- SMALL MAMMALS



AMX-XP40 prior to installation

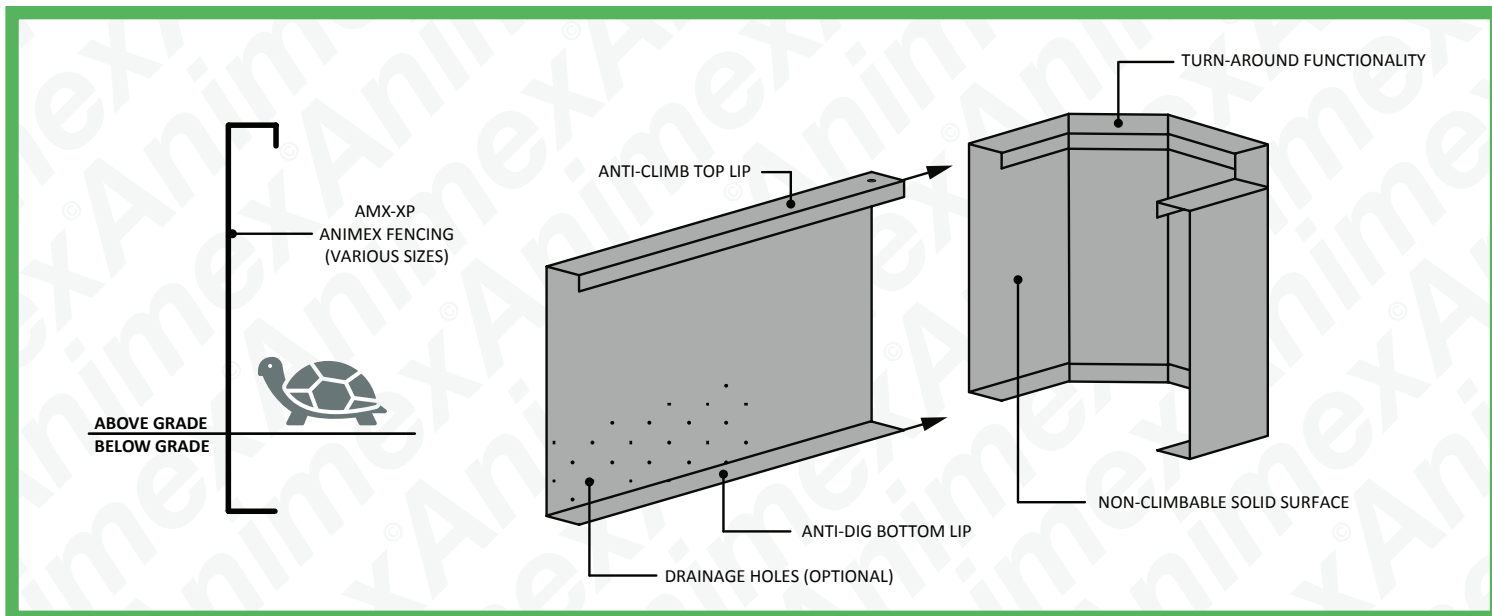
821 N 27th St, PMB #289
Billings, MT 59101

info@animexfencing.us

+1 (406) 371-2770
Animexfencing.com

MADE IN THE USA
PATENTED DESIGN

ANIMEX AMX-XP FENCE FEATURES



- Anti-Climb
- Anti-Dig
- Patented Design
- Drainage Holes (Optional)
- Easily Installed
- Turn-around Functionality
- Shelter Compatible
- One-way Functionality
- UV / Corrosion Resistant
- No Mesh (Animal Safe)

SPECIFICATIONS

Height*: 24in-60in
 Length**: 8ft
 Thickness: 0.06in
 Color: Optional

INSTALLATION METHODS

- Free-standing
- Attached to fences
- Attached to barriers

AVAILABLE HEIGHTS*

- ✓ AMX-24
- ✓ AMX-30
- ✓ AMX-40
- ✓ AMX-48
- ✓ AMX-60
- ✓ CUSTOM

* Based on our standard fencing (inches) before installation. We can make custom products to suit any need.

**Available in sheets

MATERIAL PROPERTIES

TEST	CONDITION	VALUE
Edge protection	-	VG
Surface protection	ISO 7253 / DIN 50021	50 hours/ μm
- Salt, corrosion resistance	MARINE	0.6 $\mu\text{m}/\text{year}$
- Outdoor exposure	INDUSTRIAL	0.3 $\mu\text{m}/\text{year}$
Adhesion	R DX51D+AZ	0 T (AZ100, AZ150)
	EN 10327	1 T (AZ185)
Hardness on cross section	-	140 HV
Reflection of solar heat	New	81%
	Aged	39%
Heat transmission	-	65 Watts/m ²
Temperature resistance	Tmax	315°C
Fire resistance	BS 476	AA
	EN 13501-1	A1
Flow Rate (Perforated only)	ASTM- D4491	15 gal/sqft/min



Animex AMX-XP fencing is the ultimate wildlife fencing solution made from specialized corrosion resistant metals.

821 N 27th St, PMB #289
 Billings, MT 59101

info@animexfencing.us

+1 (406) 371-2770
 Animexfencing.us

MADE IN THE USA
PATENTED DESIGN

AMX-XP INFORMATION SHEET

USA
Animex