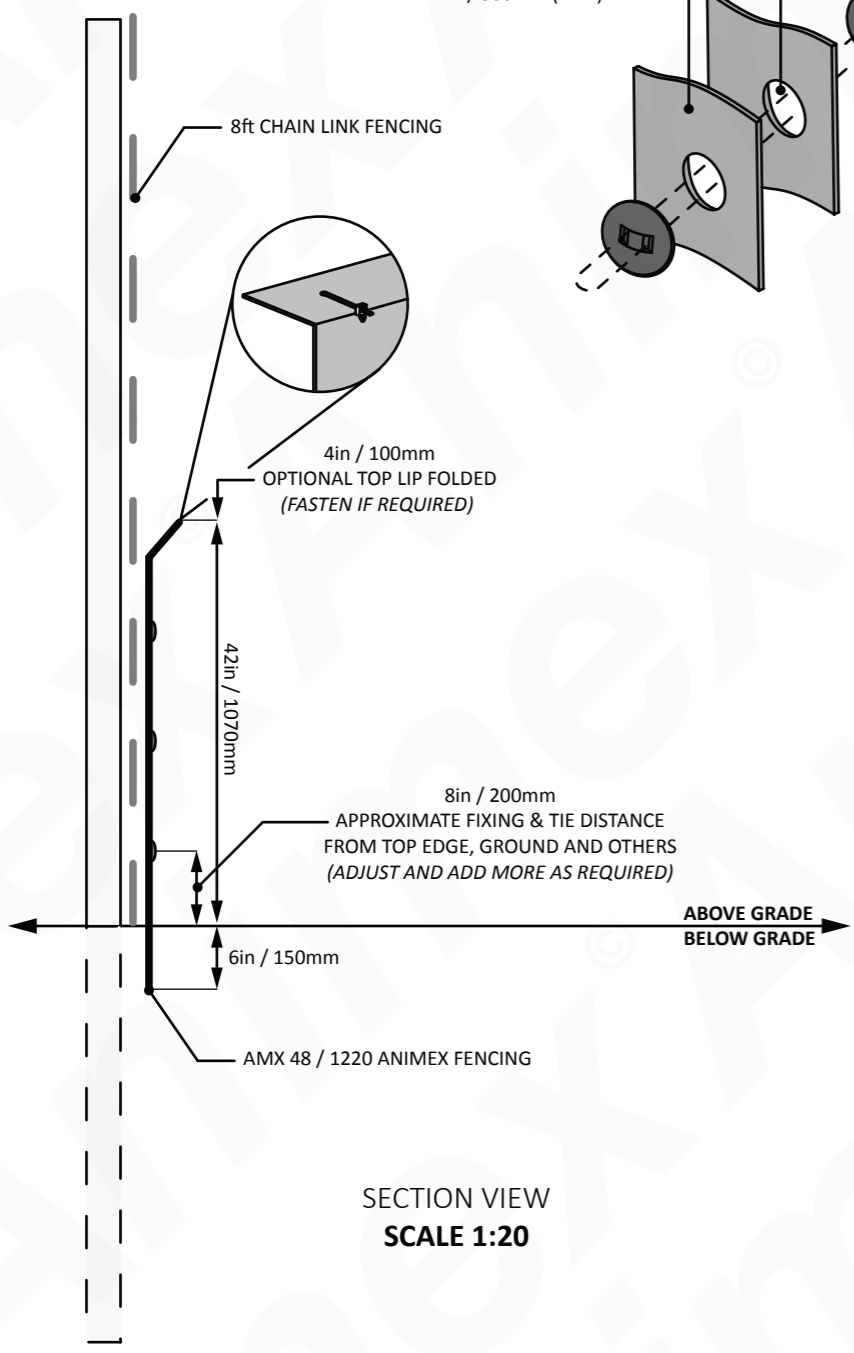
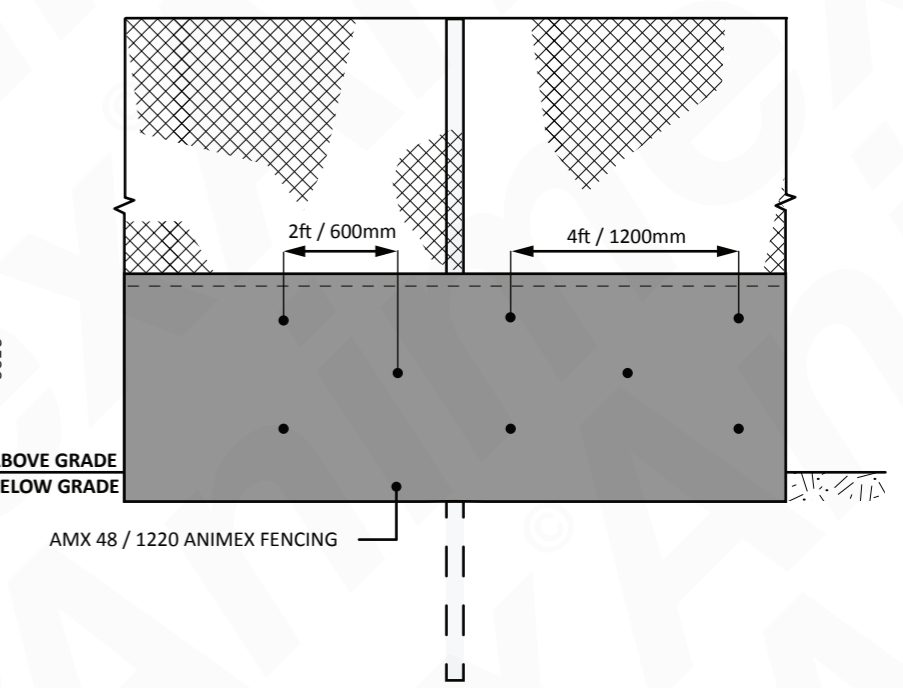
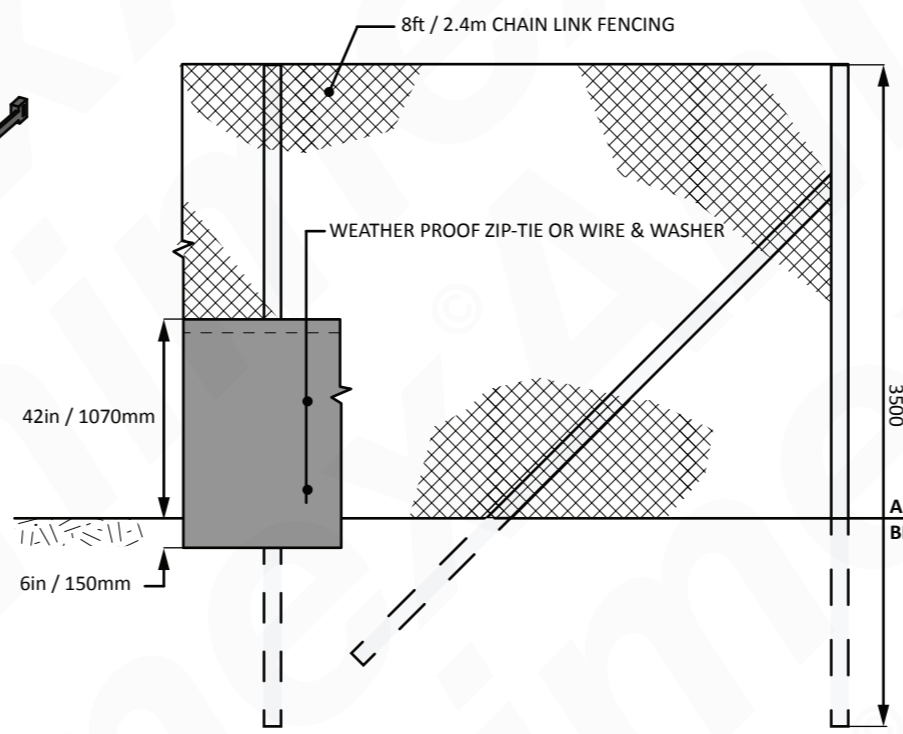
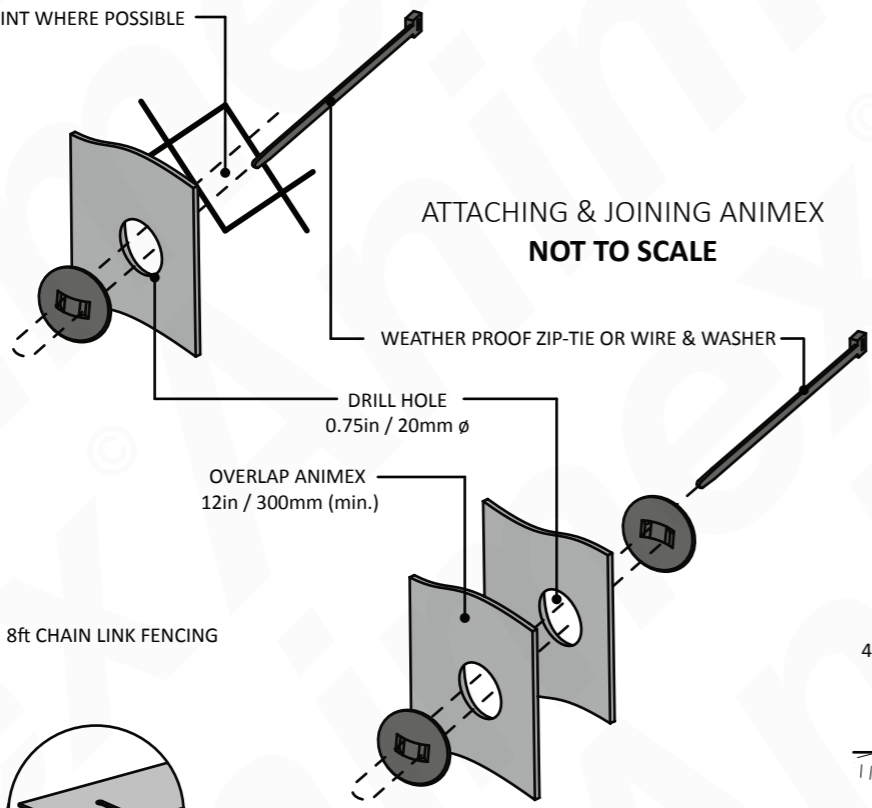
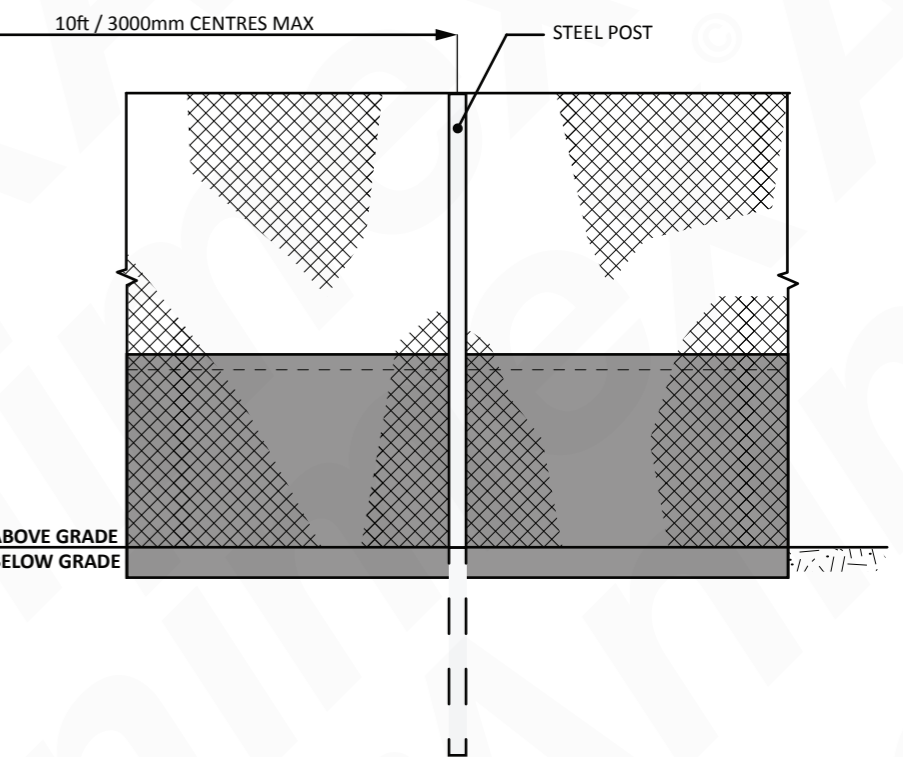
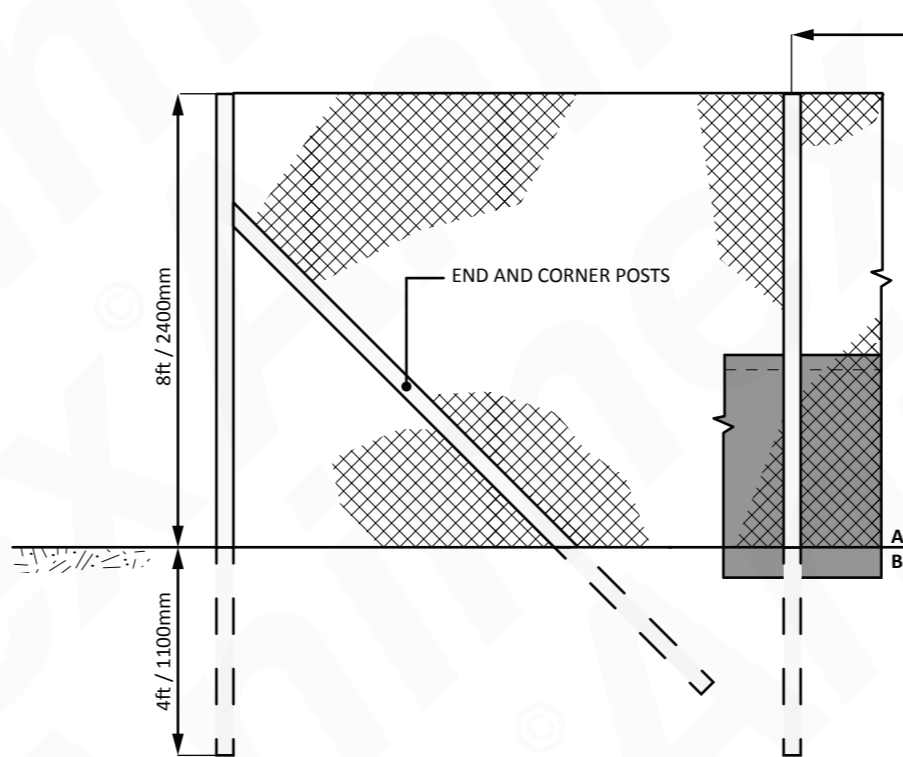


FASTEN TO CHAIN LINK AT "X" POINT WHERE POSSIBLE

**ATTACHING & JOINING ANIMEX
NOT TO SCALE**



SECTION VIEW
SCALE 1:20



ELEVATION VIEW
SCALE 1:40