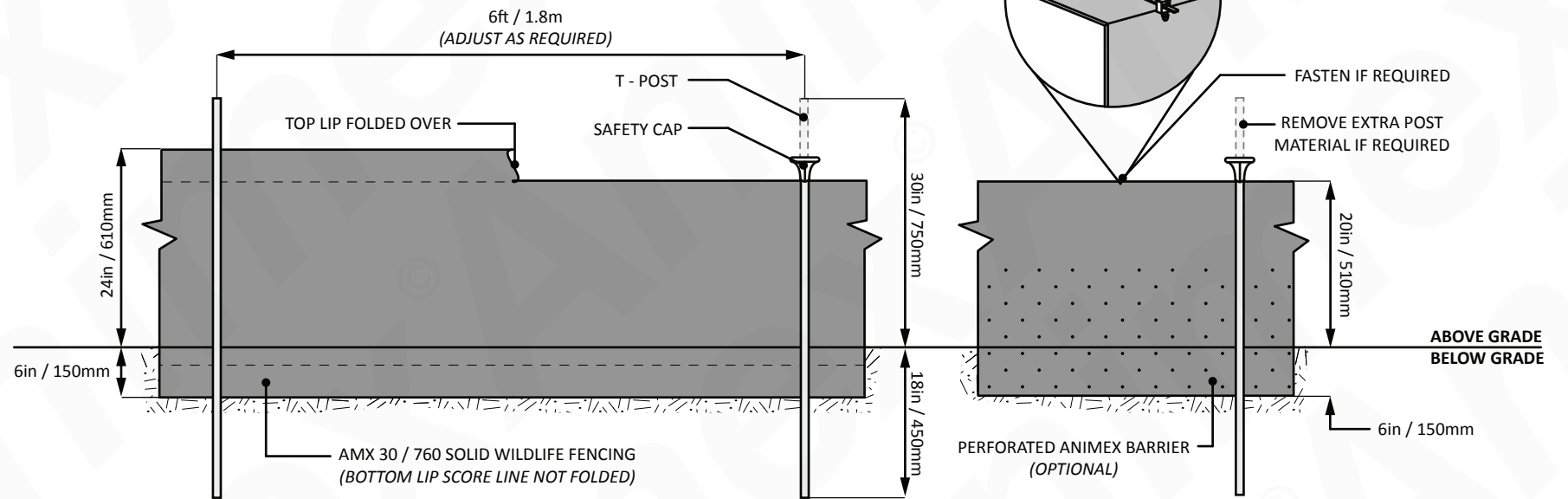
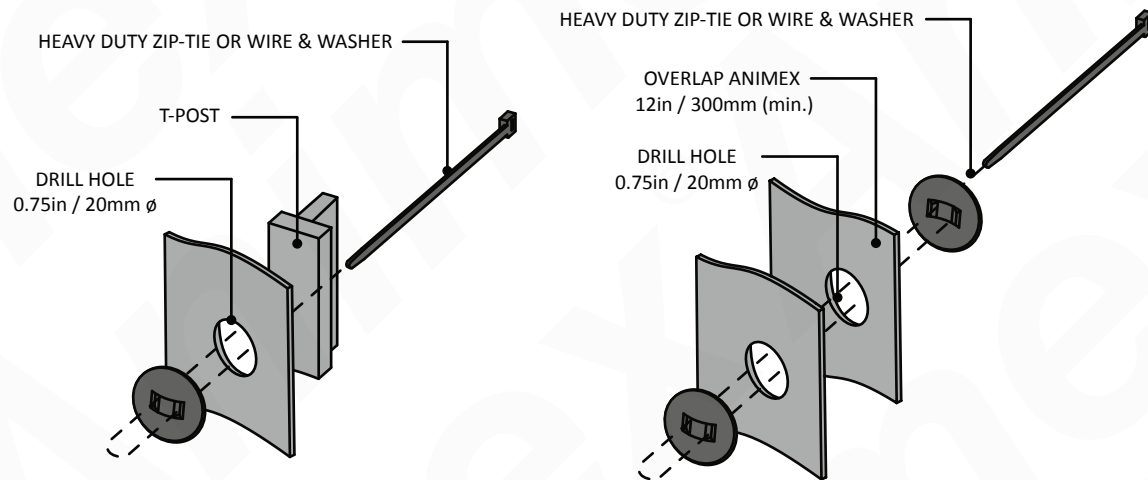


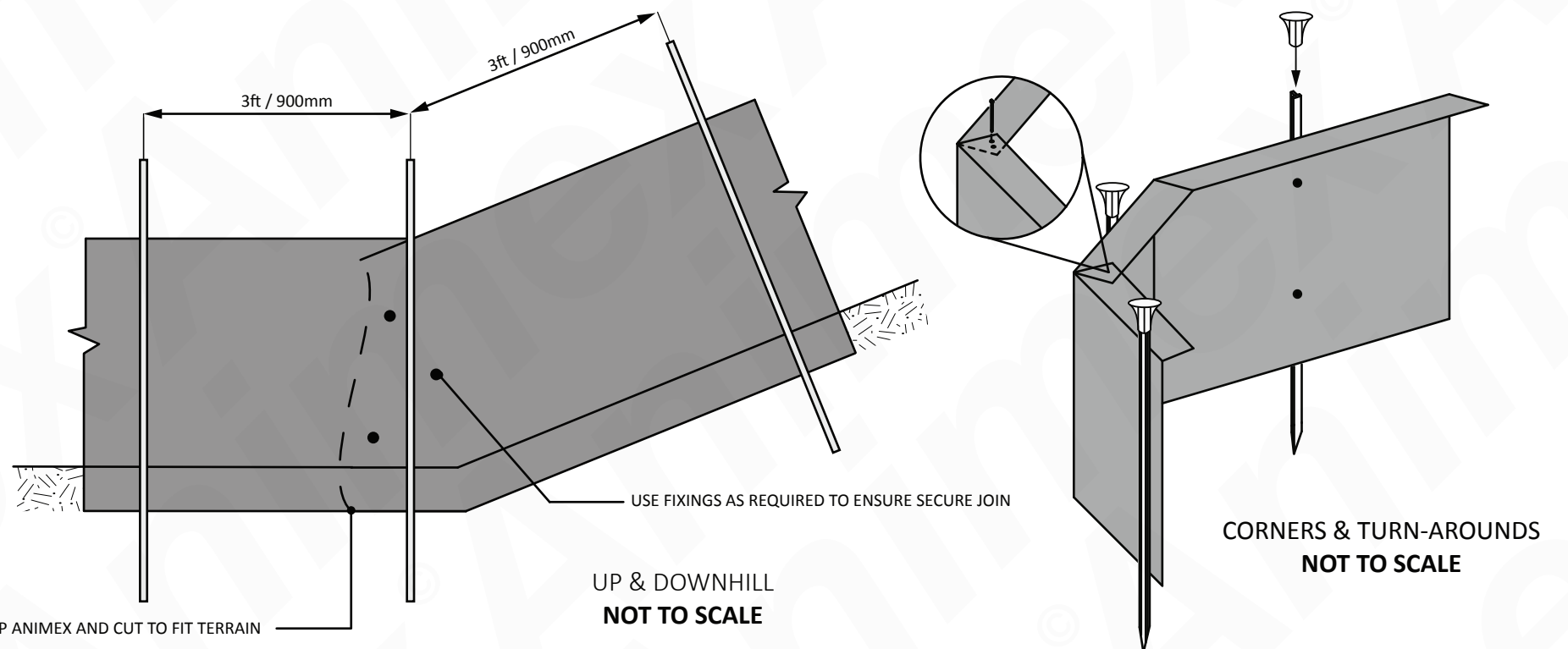
SECTION VIEW
SCALE 1:10



ELEVATION VIEW
SCALE 1:20



ATTACHING & JOINING SECTIONS
SCALE 1:4



UP & DOWNHILL
NOT TO SCALE

CORNERS & TURN-AROUNDS
NOT TO SCALE