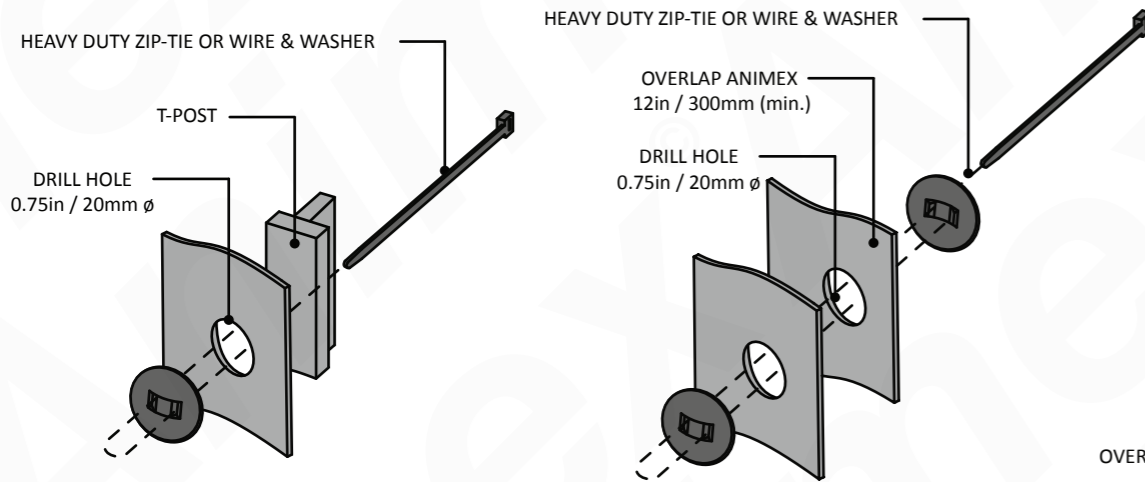
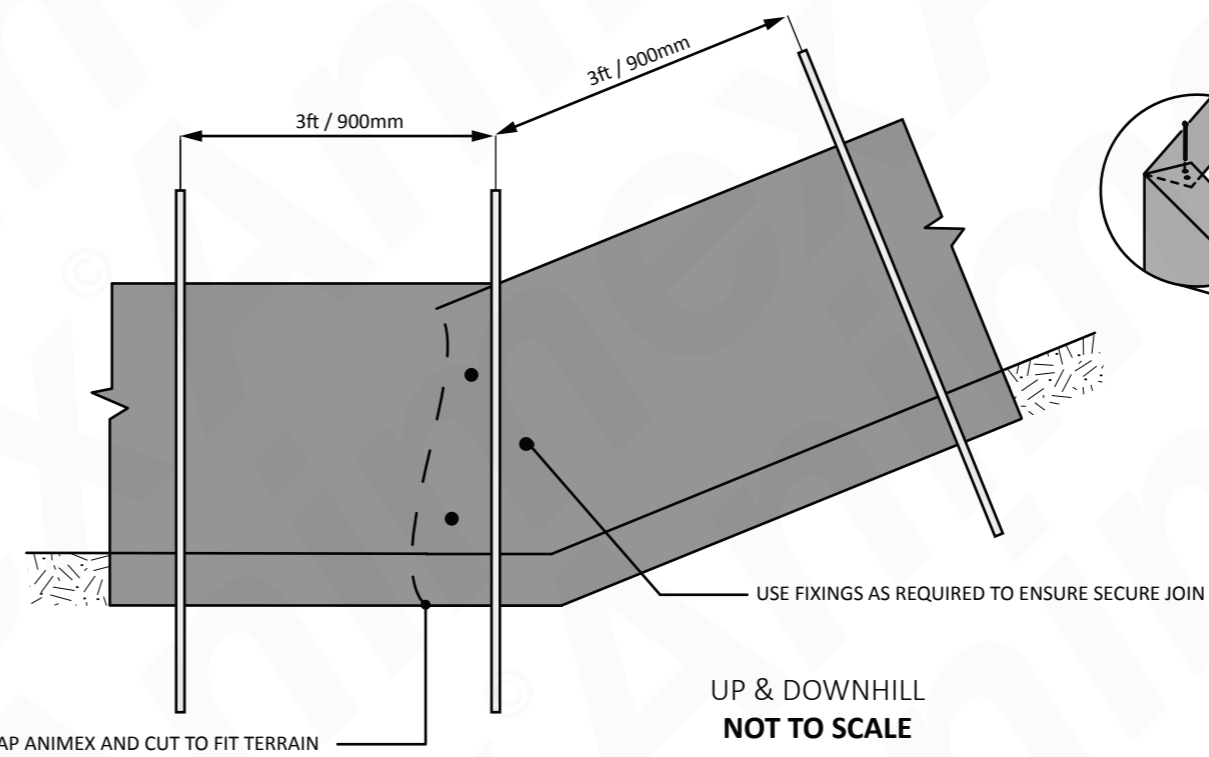


ELEVATION VIEW  
SCALE 1:20

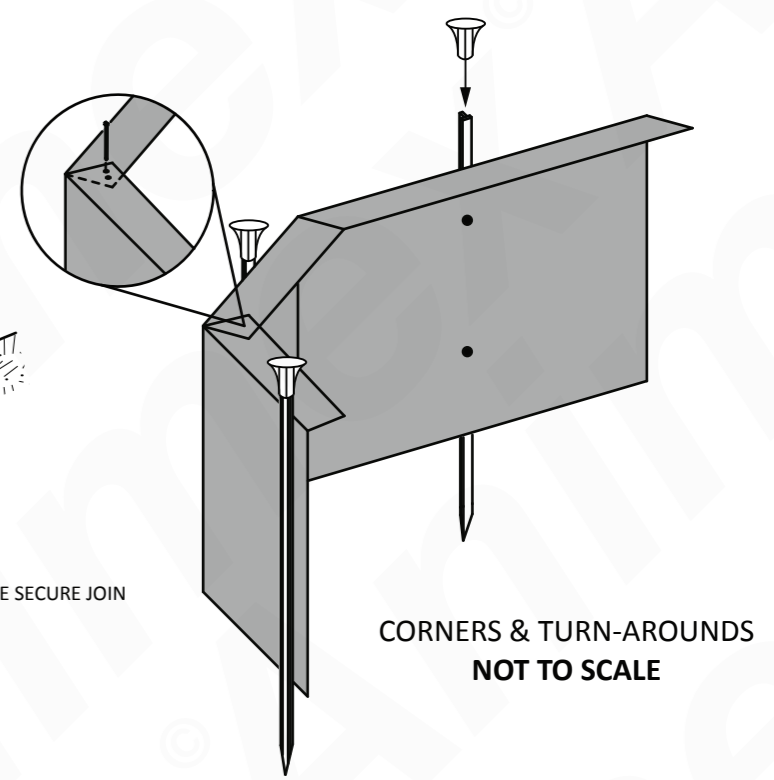
SECTION VIEW  
SCALE 1:10



ATTACHING & JOINING SECTIONS  
SCALE 1:4



UP & DOWNHILL  
NOT TO SCALE



CORNERS & TURN-AROUNDS  
NOT TO SCALE