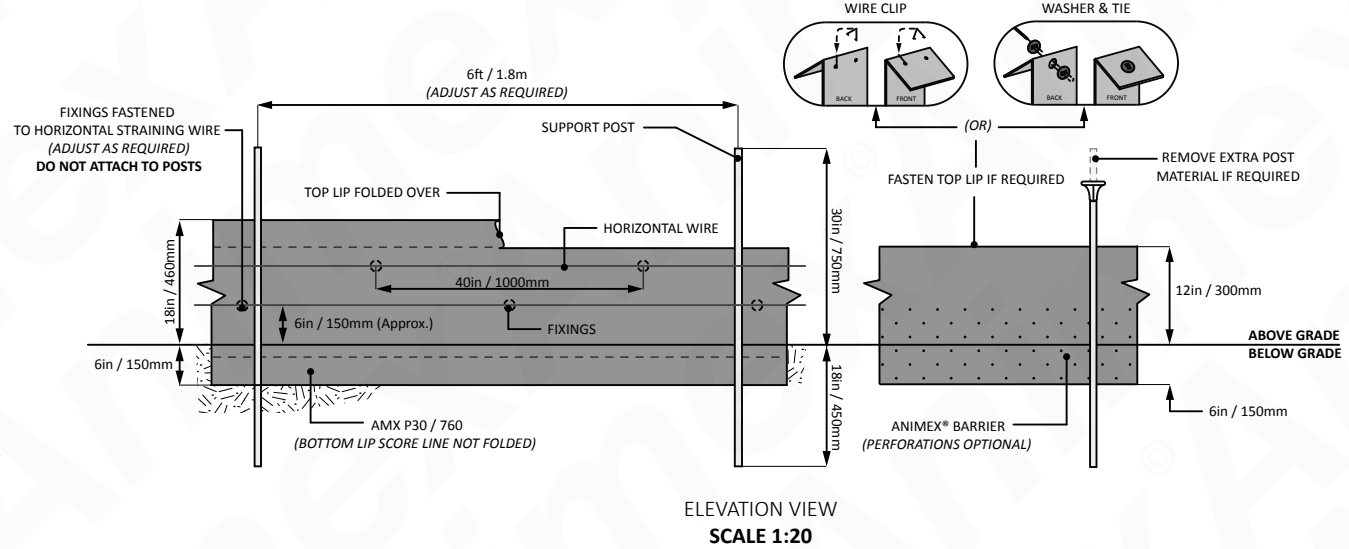
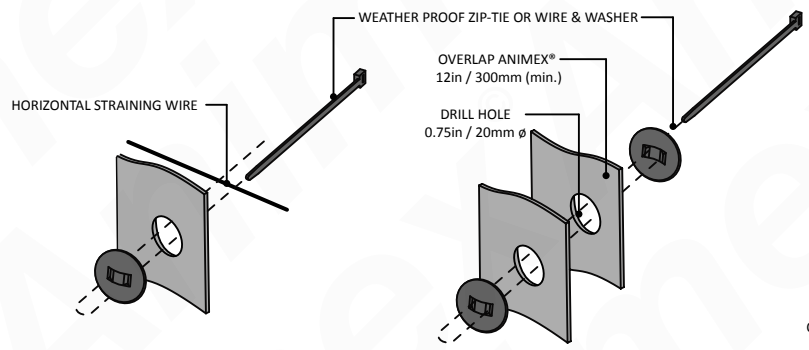


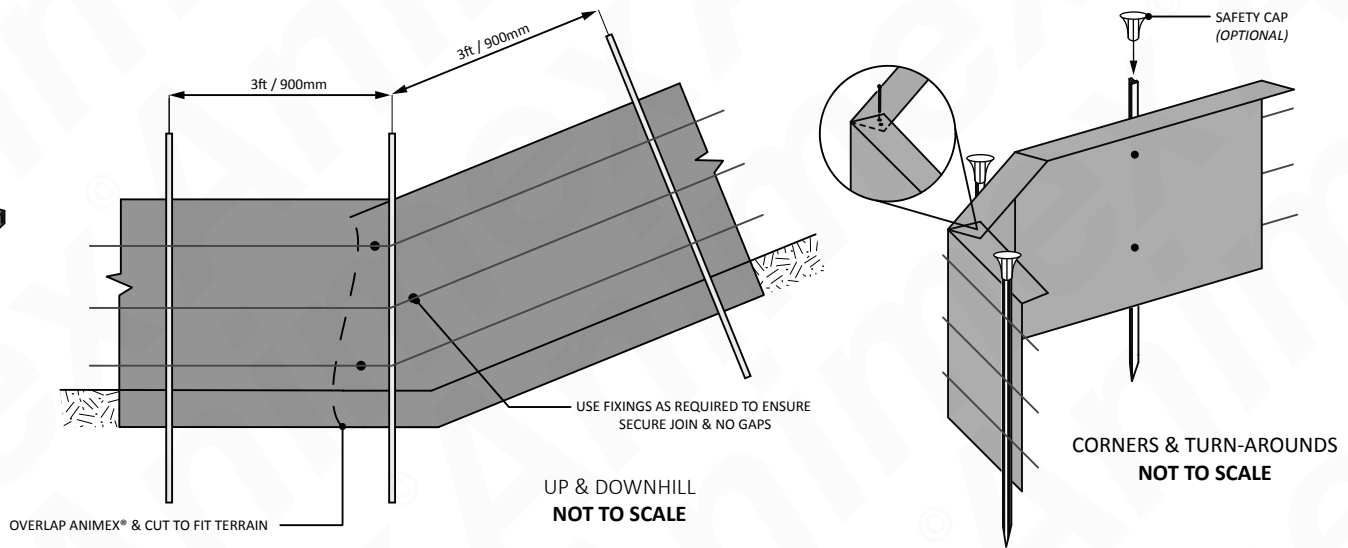
SECTION VIEW
SCALE 1:10



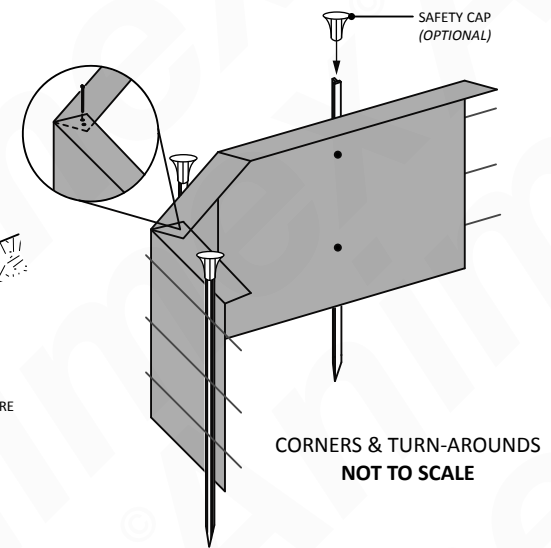
ELEVATION VIEW
SCALE 1:20



ATTACHING & JOINING SECTIONS
SCALE 1:4



UP & DOWNHILL
NOT TO SCALE



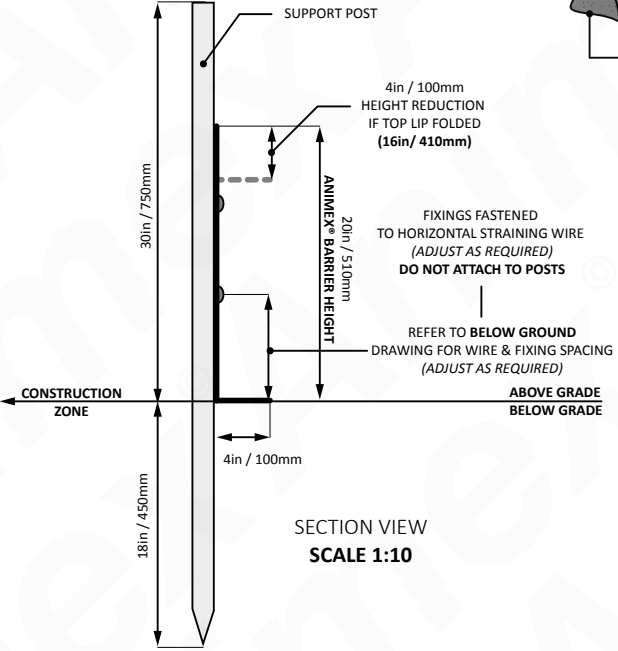
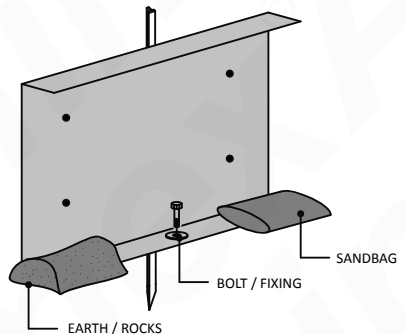
CORNERS & TURN-AROUNDS
NOT TO SCALE

NOTES:

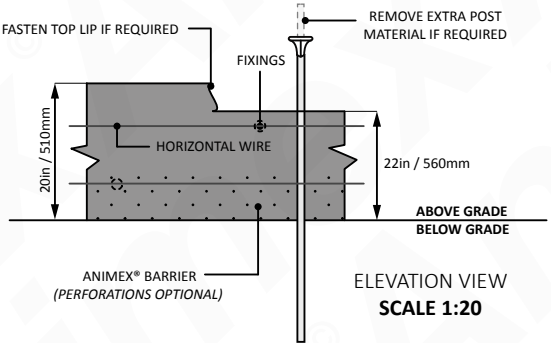
This specification should be used to aid installation. Measurements are accurate but may need to be adjusted dependent on location, conditions and local authority recommendations.

PRODUCT NO.

AMX P24
AMX P610



4in / 100mm
BOTTOM LIP FOLD
ABOVE GROUND



Animex[®]

PERMANENT FREE-STANDING WILDLIFE FENCING

BELOW GROUND INSTALLATION

MATERIALS

REQUIRED:

- ANIMEX[®] FENCING
- ANIMEX[®] WASHERS
- UV RESISTANT ZIP TIES OR FENCE WIRE
- FENCE POSTS
- FENCE END BRACES & WIRE STRAINERS
- 12 GAUGE STRAINING WIRE

OPTIONAL:

- GRIPPLE WIRE JOINERS (OR SIMILAR)
- WIRE SPINNING JENNY

TOOLS & EQUIPMENT

REQUIRED:

- WEED WACKER / WHIPPER
- STRING LINE & MARKER PAINT
- RECIPROCATING SAW
- TRENCHER / EXCAVATOR
- SPADE / TRENCH SHOVEL
- POST DRIVE / SLEDGE HAMMER
- LITHIUM DRILL
- SPADE DRILL BIT 3/4in (20mm) Ø
- CUTTING PLIERS

OPTIONAL:

- SHEAR ATTACHMENT FOR DRILL (TRIM FENCE)
- LITHIUM POWERED RECIPROCATING SAW (TRIM POSTS)
- DRILL BIT FOR DRAINAGE HOLES 1/8in (3mm) Ø
- GRIPPLE TENSIONING TOOL
- WIRE SPINNING JENNY

STEP-BY-STEP

- 1) Clear vegetation along the fence line and work area.
- 2) Mark out the Animex[®] fence line.
- 3) Excavate trench. Ensure the trench is level and clear of large clumps or rocks.
- 4) Lay out posts at desired spacing and roll out Animex[®] barrier (Fold bottom lip if required).
- 5) Install posts, end braces and horizontal wire at the back of the trench using manual or machine powered post driver.
- 6) Place the Animex[®] fence material into the trench with the lips facing towards the area that animals will encounter the fence.
- 7) Fasten the Animex[®] to the horizontal wire starting along the top and work your way down.
- 8) When attaching rolls overlap them following details on the installation drawing. A minimum of 4 ties in total should be installed on any joins in the fence
- 9) Back fill the trench. Ensure the backfill is compact to eliminate gaps for animals to crawl through. Do the same on the back side of the fence.
- 10) Fasten the top lips and install any additional features such as one-way funnels or pitfall traps (if required).



WATCH VIDEOS

ANIMEXFENCING.COM/INSTALLATION

TURNING CORNERS

(Refer to installation drawing)

You will be unable to bend the material around corners without cutting the top and bottom lip to relieve tension. By making a single cut in the top and bottom lip when you feel the fence becoming creased or difficult to bend it will allow you to position the fence around corners. Once the lips are cut in areas where tension occurs you can position the fencing where you need it and secure overlapping lips (for an internal curve) using a tie and washer (just like you would when overlapping rolls). For outward turning corners where lips will not overlap you can bridge this gap using an off cut of material and pay special attention when back filling to ensure no gaps appear at this section. These methods should work for most corners/bends in the fence line, however there may be times where this method will not work and you may need to cut the material and create overlapping joins.

CHANGE IN GRADIENT

(Refer to installation drawing)

You may come across a part of the trench where the gradient changes and there is a steep slope to be fenced. At this point you will have to cut the fence at an angle so that it overlaps the preceding material. Washers and ties may be needed to close up any gaps that may have appeared and the shape of the fencing you cut may need to be varied depending on the terrain requirements.

INSTALLER NOTES:

NOTES:

This guide should be used to aid installation. Measurements are accurate but may need to be adjusted dependent on location, conditions and local authority recommendations.

Animex[®]

SUPPORT HOTLINE

USA: (800) 210 9896

CANADA: (855) 968 8387

EUROPE: 01329 832 841

OPEN: 9AM- 5PM
LOCAL TIME

COPYRIGHT ANIMEX INTERNATIONAL 2018 ©

www.animexfencing.com
info@animexfencing.com