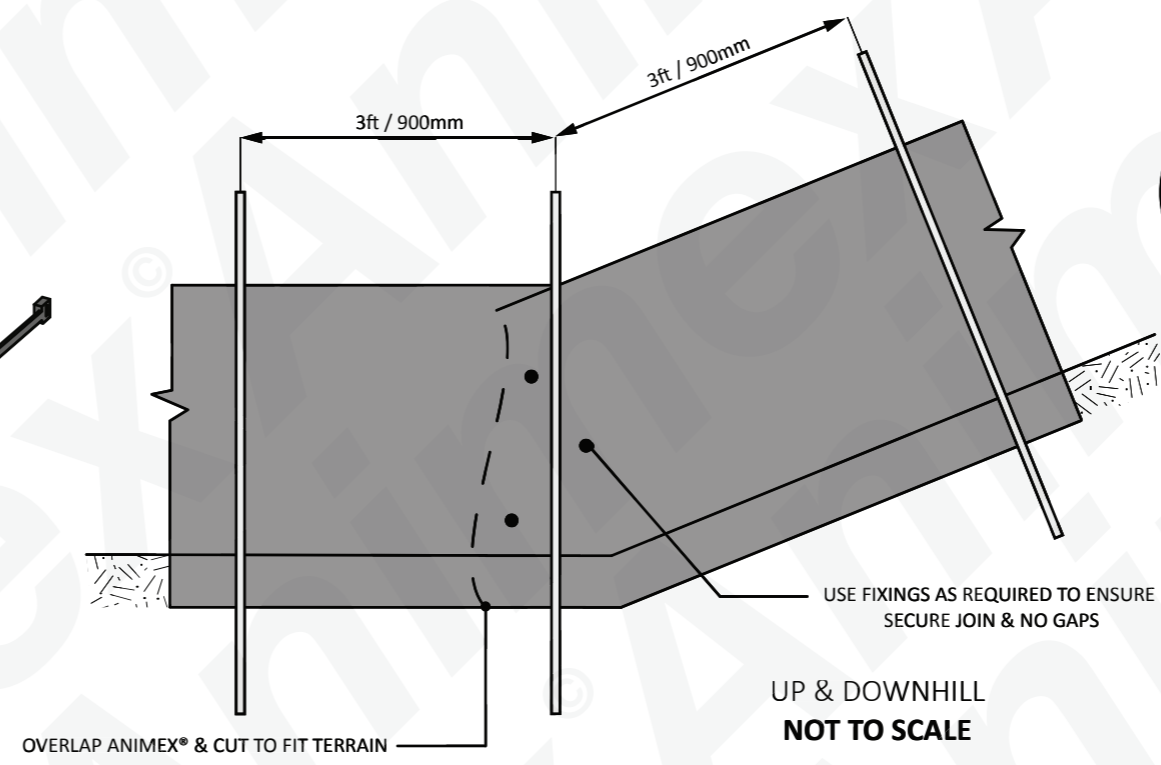
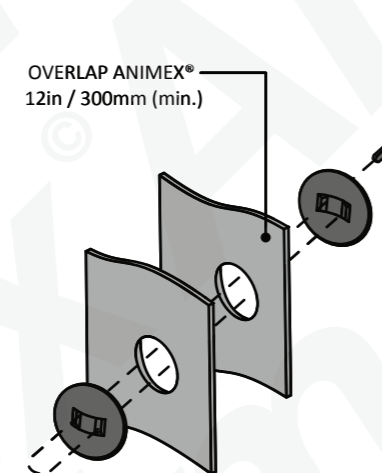
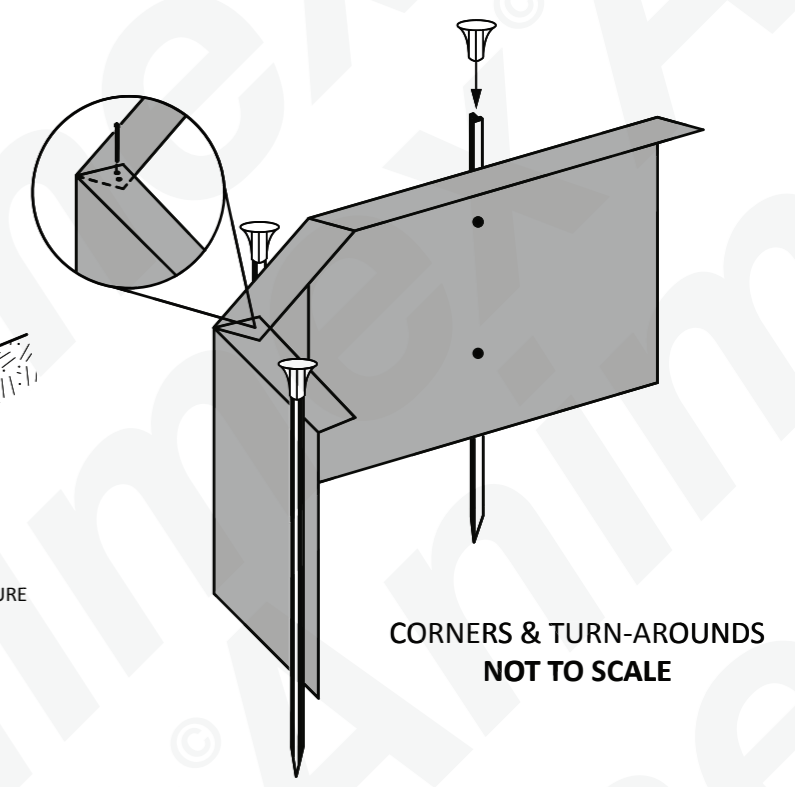


ATTACHING & JOINING SECTIONS
SCALE 1:4



UP & DOWNHILL
NOT TO SCALE



CORNERS & TURN-AROUNDS
NOT TO SCALE