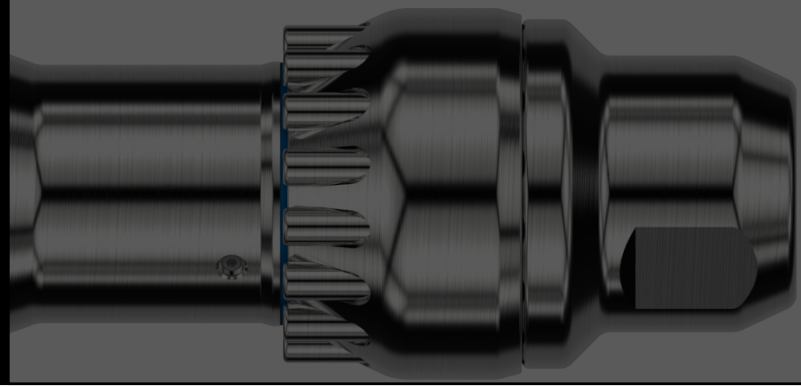


# SAFETY VALVE CHECK TOOL



The Oilenco Safety Valve Check Tool (or flapper check tool) offers a simple yet effective solution for verifying the status of a downhole safety valve (DHSV) flapper.

## PRODUCT FEATURES

- Reduces risk
- Verifies DHSV flapper status
- Release mechanism incorporated
- Simple assembly and operation
- Robust design

## HOW IT WORKS

The safety valve check tool is used to verify the functionality of the flapper prior to running a toolstring down through the safety valve. Should the flapper only be partially open, there is an increased risk of parting the wireline and inadvertently losing the toolstring downhole.

*"simple, effective solution"*

The Oilenco safety valve check tool eliminates the risk and provides confirmation of the flapper status prior to running wireline into the well.

## SAFETY VALVE INVESTIGATION PACKAGE

The Oilenco safety valve check tool is often used as part of a package to investigate tubing retrievable safety valve (TRSV) failure, helping operators determine requirements to restore TRSV functionality and reinstate well integrity. Take a look at the Oilenco website for a **case study** on our safety valve investigation capabilities.

## FURTHER INFORMATION

To speak to one of the Oilenco team about the safety valve check tool and how it could help with your TRSV challenges, call **+44 (0)1224 548700** or email [info@oilenco.com](mailto:info@oilenco.com).



Oilenco safety valve check tool  
(flapper check tool)