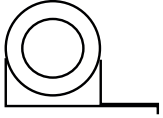
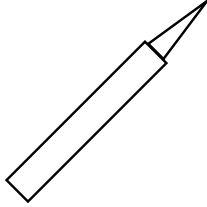


How to install glass splashbacks and upstands

What you need



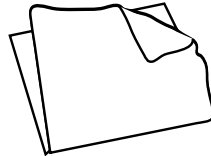
Tape Measure



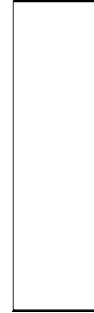
Silicone Sealant - Low Modulus Type



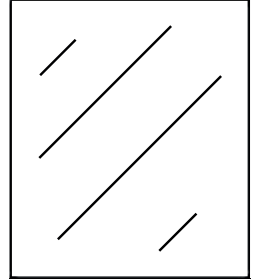
Sealant Gun



Clean Cloth



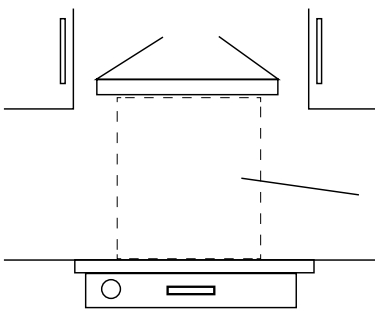
1 x Upstand



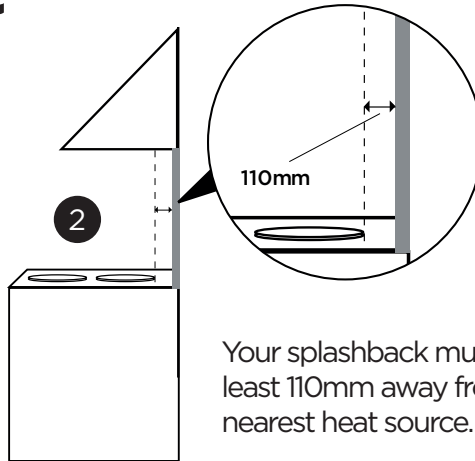
1 x Splashback

Before you start

- 1 Check that your splashback fits into the required space.



Splashback to go here

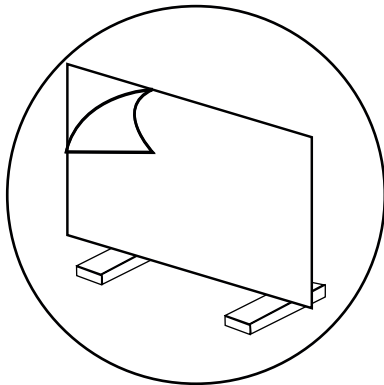


Your splashback must be at least 110mm away from the nearest heat source.

- 3 Cut upstands to size using the instructions overleaf. **Our splashbacks are made from toughened safety glass so they cannot be cut.**
- 4 Check the surface is perfectly flat, non-porous, dry and dust free.

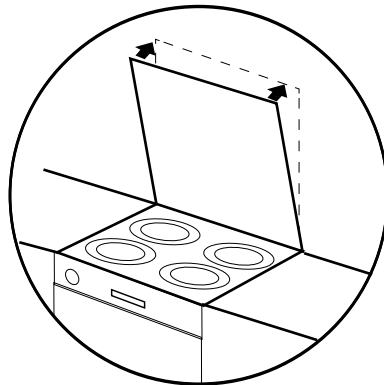
Easy to apply

- 1 Peel off backing



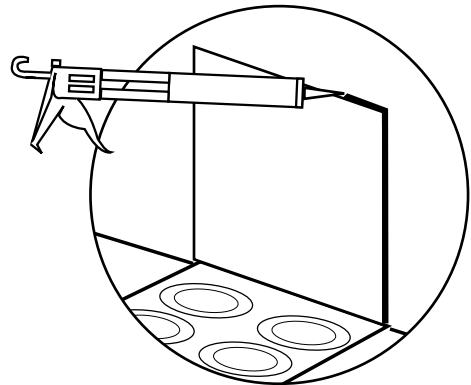
Make sure all corners are safe from hard surfaces. Take care to peel off the protective film back and **not** the self-adhesive backing.

- 2 Stick on the wall



Place the bottom edge of the splashback to the rear of the hob. Push it to the wall and apply firm even pressure with the cloth.

- 3 Seal the edges



Using the Silicone Sealant. No more than 2.5mm in thickness.

Health & Safety

WARNING!



SAFE HANDLING GLASS

All products are supplied with a safety backing but we recommend that the glass is handled with care and in particular eye protection and suitable gloves should be worn.

Do not touch the backing once it's been peeled as contamination can affect the adhesive properties of the backing. We advise that the product is brought to room temperature over a period of 24 hours if it has been subject to very hot or cold conditions.

IMPORTANT

Unfitted glass is fragile. Do not place on hard surfaces prior to fitting. Special care should be taken with the corners of the product as impact will cause the product to shatter.

Upstand Cutting Guide



Always wear cut proof gloves and goggles when cutting glass.

If you need to cut the upstand in order to fit the length of your worktop, please exercise extreme caution. Glass cutting should only be undertaken by a competent individual. If in doubt, consult a professional glass cutter.

WARNING!

Always wear cut proof gloves and goggles when cutting glass.

- 1 Plan your layout so that any cut edges are placed into a corner leaving the factory finished edges on show.
- 2 Mark out the line you want to cut.
- 3 Using a suitable straight edge as a guide, score the face of the glass ONCE with an appropriate glass cutter. Remove the unwanted section by snapping to length in the normal way, or using running pliers, as standard glass-cutting practice.
- 4 Turn the upstand over. Bend the cut piece back and cut through the backing material with a sharp craft knife. Make sure you are cutting away from your body and ALWAYS KEEP BOTH HANDS BEHIND THE CUTTING EDGE.
- 5 Take the sharp edge off the piece you are going to use with a de-arrissing block/stone.

Aftercare

- 1 When cleaning the splashback use hot water and a mild soap detergent. Do not use abrasive cleaners.
- 2 Leave the Splashback for at least 45 minutes to cool before wiping, as in extreme cases, applying a cold cloth to a hot surface can cause the glass to crack/shatter.