

Sheet: ClockPowerJTAG



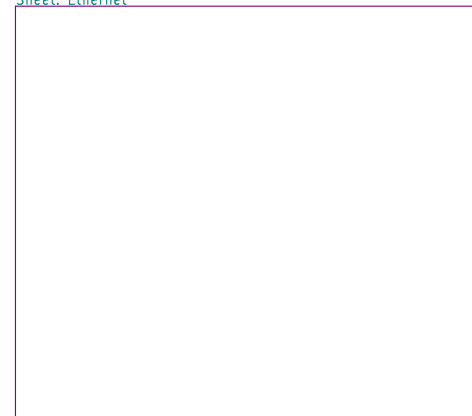
File: ClockPowerJTAG.sch

Sheet: MicroPorts



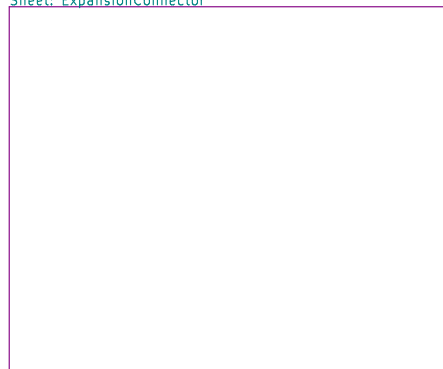
File: MicroPorts.sch

Sheet: Ethernet



File: Ethernet.sch

Sheet: ExpansionConnector



File: ExpansionConnector.sch

**Black Ram Electronics**

Sheet: /  
File: BR\_DEV\_LPC1769.sch

**Title: BR\_LPC1769**

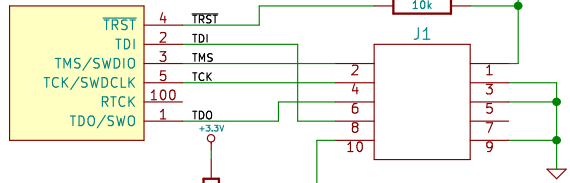
Size: A4 Date: 27 jun 2013

KiCad E.D.A. kicad 4.0.2-stable

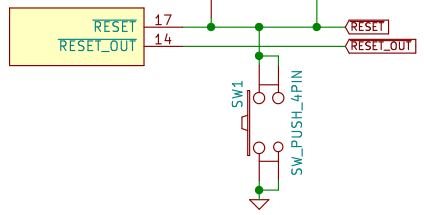
**Rev: A**

Id: 1/5

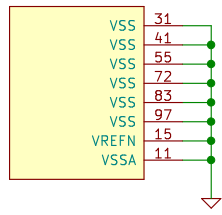
U1F  
LPC1769FBD100



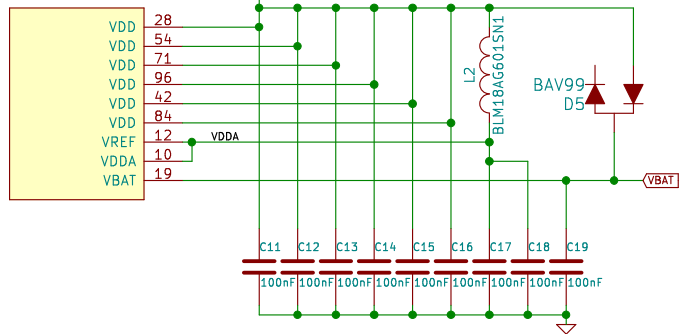
U1H  
LPC1769FBD100



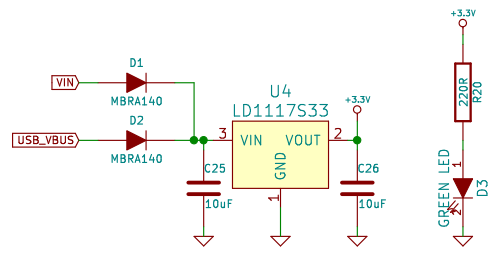
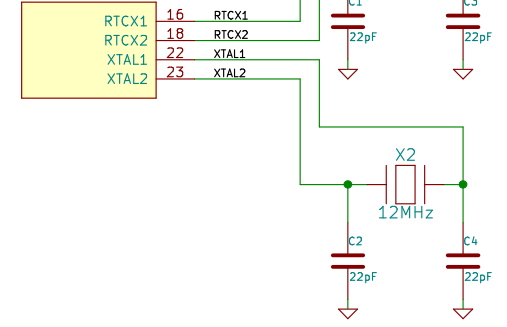
U1J  
LPC1769FBD100



U1I  
LPC1769FBD100



U1G  
LPC1769FBD100



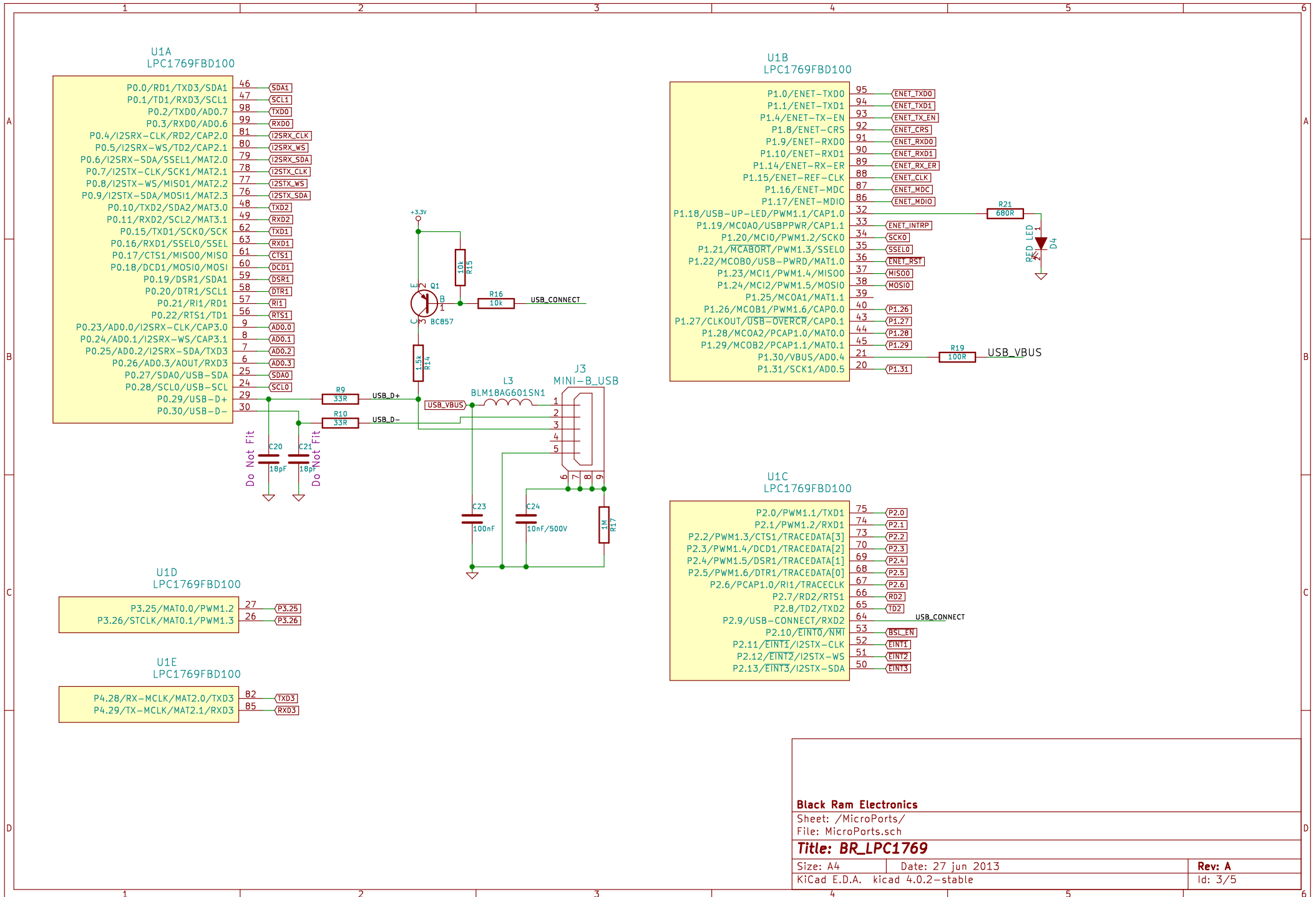
Black Ram Electronics

Sheet: /ClockPowerJTAG/  
File: ClockPowerJTAG.sch

Title: BR\_LPC1769

Size: A4 Date: 27 jun 2013  
KiCad E.D.A. kicad 4.0.2-stable

Rev: A  
Id: 2/5



U1A  
LPC1769FBD100

- P0.0/RD1/TXD3/SDA1 46 SDA1
- P0.1/TD1/RXD3/SCL1 47 SCL1
- P0.2/TXD0/AD0.7 98 TXD0
- P0.3/RXD0/AD0.6 99 RXD0
- P0.4/I2SRX-CLK/RD2/CAP2.0 81 I2SRX\_CLK
- P0.5/I2SRX-WS/TD2/CAP2.1 80 I2SRX\_WS
- P0.6/I2SRX-SDA/SSEL1/MAT2.0 79 I2SRX\_SDA
- P0.7/I2STX-CLK/SCK1/MAT2.1 78 I2STX\_CLK
- P0.8/I2STX-WS/MISO1/MAT2.2 77 I2STX\_WS
- P0.9/I2STX-SDA/MOSI1/MAT2.3 76 I2STX\_SDA
- P0.10/TXD2/SDA2/MAT3.0 48 TXD2
- P0.11/RXD2/SCL2/MAT3.1 49 RXD2
- P0.15/TXD1/SCK0/SCK 62 TXD1
- P0.16/RXD1/SSEL0/SSEL 63 RXD1
- P0.17/CTS1/MISO0/MISO 61 CTS1
- P0.18/DCD1/MOSIO/MOSI 60 DCD1
- P0.19/DSR1/SDA1 59 DSR1
- P0.20/DTR1/SCL1 58 DTR1
- P0.21/RI1/RD1 57 RI1
- P0.22/RTS1/TD1 56 RTS1
- P0.23/AD0.0/I2SRX-CLK/CAP3.0 9 ADO.0
- P0.24/AD0.1/I2SRX-WS/CAP3.1 8 ADO.1
- P0.25/AD0.2/I2SRX-SDA/TXD3 7 ADO.2
- P0.26/AD0.3/AOUT/RXD3 6 ADO.3
- P0.27/SDA0/USB-SDA 25 SDA0
- P0.28/SCL0/USB-SCL 24 SCL0
- P0.29/USB-D+ 30 USB\_D+
- P0.30/USB-D- 29 USB\_D-

U1B  
LPC1769FBD100

- P1.0/ENET-TXD0 95 ENET\_TXD0
- P1.1/ENET-TXD1 94 ENET\_TXD1
- P1.4/ENET-TX-EN 93 ENET\_TX\_EN
- P1.8/ENET-CRS 92 ENET\_CRS
- P1.9/ENET-RXD0 91 ENET\_RXD0
- P1.10/ENET-RXD1 90 ENET\_RXD1
- P1.14/ENET-RX-ER 89 ENET\_RX\_ER
- P1.15/ENET-REF-CLK 88 ENET\_CLK
- P1.16/ENET-MDC 87 ENET\_MDC
- P1.17/ENET-MDIO 86 ENET\_MDIO
- P1.18/USB-UP-LED/PWM1.1/CAP1.0 32
- P1.19/MCOA0/USBPPWR/CAP1.1 33 ENET\_INTRP
- P1.20/MCIO/PWM1.2/SCK0 34 SCK0
- P1.21/MCABORT/PWM1.3/SSEL0 35 SSEL0
- P1.22/MCOB0/USB-PWRD/MAT1.0 36 ENET\_RST
- P1.23/MCI1/PWM1.4/MISO0 37 MISO0
- P1.24/MCI2/PWM1.5/MOSIO 38 MOSIO
- P1.25/MCOA1/MAT1.1 39
- P1.26/MCOB1/PWM1.6/CAPO.0 40 P1.26
- P1.27/CLKOUT/USB-OVERCR/CAPO.1 43 P1.27
- P1.28/MCOA2/PCAP1.0/MAT0.0 44 P1.28
- P1.29/MCOB2/PCAP1.1/MAT0.1 45 P1.29
- P1.30/VBUS/AD0.4 21
- P1.31/SCK1/AD0.5 20 P1.31

U1C  
LPC1769FBD100

- P2.0/PWM1.1/TXD1 75 P2.0
- P2.1/PWM1.2/RXD1 74 P2.1
- P2.2/PWM1.3/CTS1/TRACEDATA[3] 73 P2.2
- P2.3/PWM1.4/DCD1/TRACEDATA[2] 70 P2.3
- P2.4/PWM1.5/DSR1/TRACEDATA[1] 69 P2.4
- P2.5/PWM1.6/DTR1/TRACEDATA[0] 68 P2.5
- P2.6/PCAP1.0/RI1/TRACECLK 67 P2.6
- P2.7/RD2/RTS1 66 RD2
- P2.8/TD2/TXD2 65 TD2
- P2.9/USB-CONNECT/RXD2 64 USB\_CONNECT
- P2.10/EINT0/NMI 53 BSL\_EN
- P2.11/EINT1/I2STX-CLK 52 EINT1
- P2.12/EINT2/I2STX-WS 51 EINT2
- P2.13/EINT3/I2STX-SDA 50 EINT3

U1D  
LPC1769FBD100

- P3.25/MAT0.0/PWM1.2 27 P3.25
- P3.26/STCLK/MAT0.1/PWM1.3 26 P3.26

U1E  
LPC1769FBD100

- P4.28/RX-MCLK/MAT2.0/TXD3 82 TXD3
- P4.29/TX-MCLK/MAT2.1/RXD3 85 RXD3

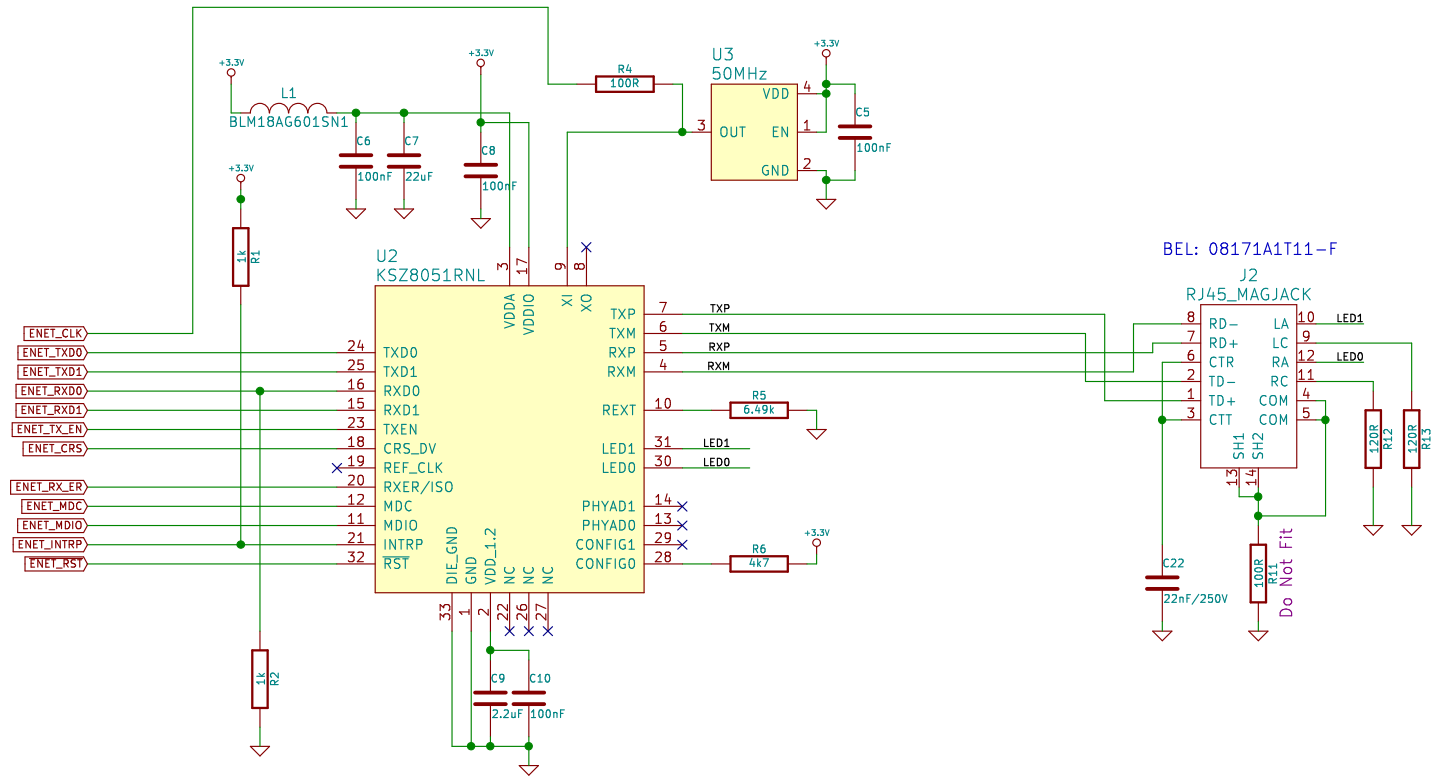
Black Ram Electronics

Sheet: /MicroPorts/  
File: MicroPorts.sch

Title: BR\_LPC1769

Size: A4 Date: 27 jun 2013  
KiCad E.D.A. kicad 4.0.2-stable

Rev: A  
Id: 3/5



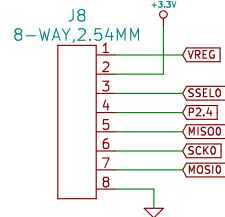
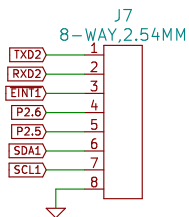
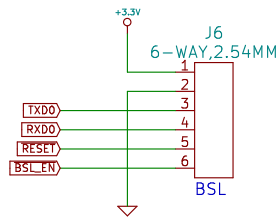
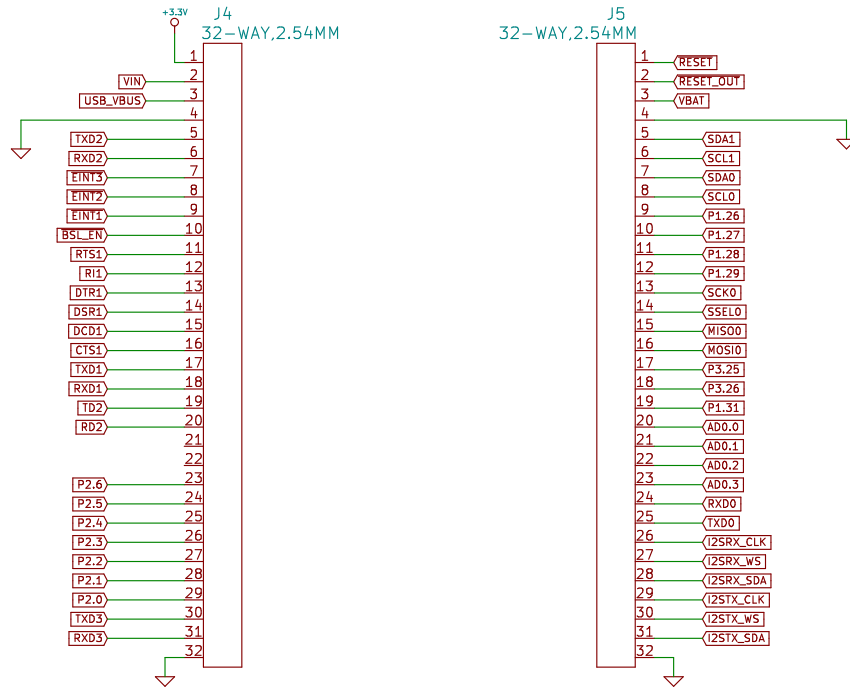
**Black Ram Electronics**

Sheet: /Ethernet/  
File: Ethernet.sch

**Title: BR\_LPC1769**

Size: A4 Date: 27 jun 2013  
KiCad E.D.A. kicad 4.0.2-stable

**Rev: A**  
Id: 4/5



**Black Ram Electronics**

Sheet: /ExpansionConnector/  
File: ExpansionConnector.sch

**Title: BR\_LPC1769**

Size: A4 Date: 27 jun 2013  
KiCad E.D.A. kicad 4.0.2-stable

Rev: A  
Id: 5/5