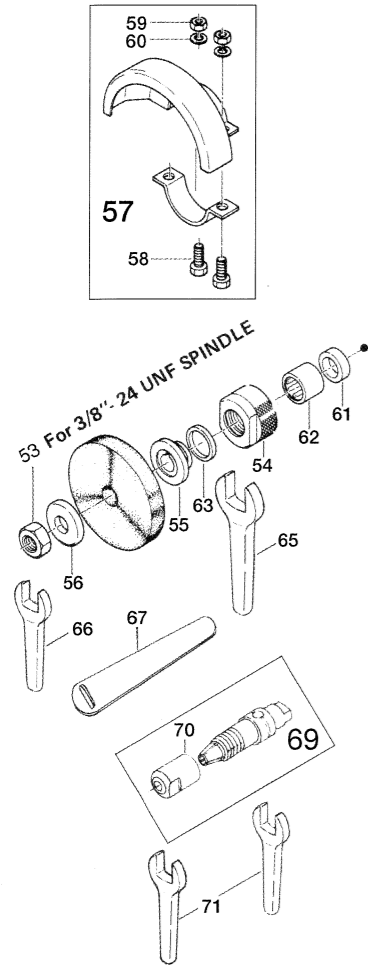


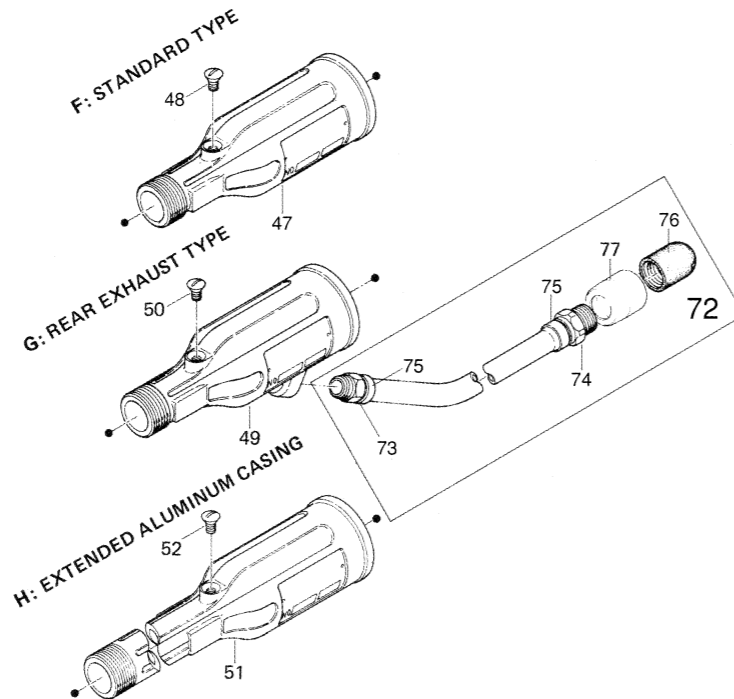
UG-65 & 650 SERIES

HORIZONTAL GRINDERS

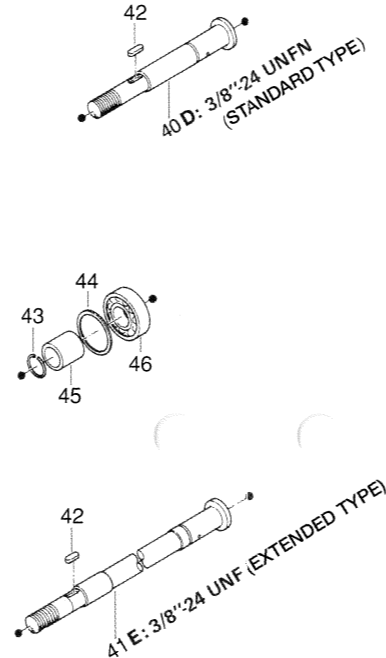
WHEEL SETTING SECTION



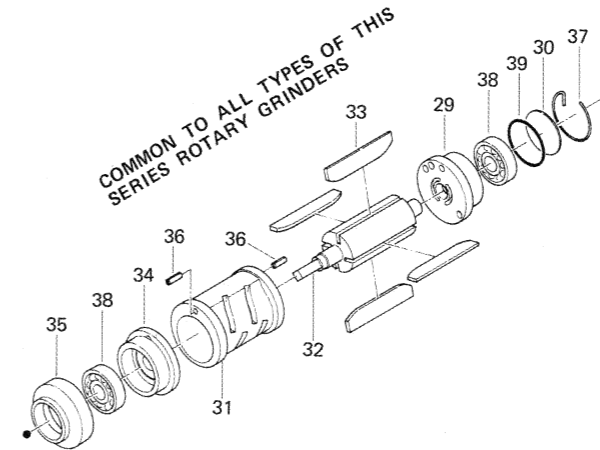
CASING SECTION



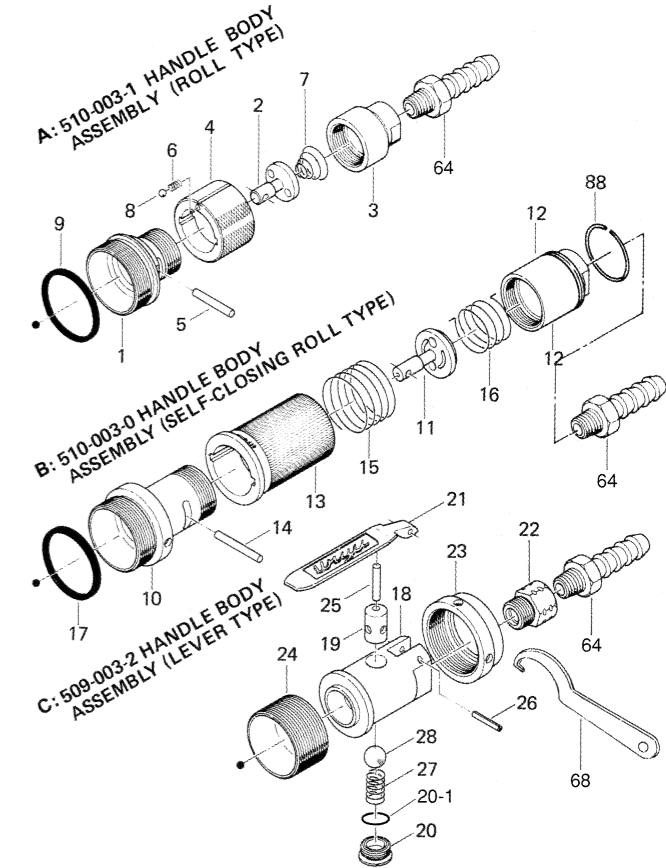
SPINDLE SECTION



MOTOR SECTION



HANDLE SECTION



PARTS LIST

Index No.	Code No.	Parts Name	Quantity
HANDLE SECTION			
A : 510-981-1 HANDLE BODY ASSEMBLY (ROLL TYPE)			
# 1	510-014-1	Handle Body	1
# 2	510-100-1	Valve	1
# 3	509-091-1	Air Inlet Bushing	1
# 4	510-015-1	Valve Handle	1
# 5	971-271-0	Pin (3.8×30)	1
# 6	976-027-0	Spring (3×11)	1
# 7	977-080-0	Cone Spring (7×18×10)	1
# 8	981-003-0	Ball (5/32)	1
# 9	990-929-0	O-Ring (SNS-36)	1
B : 510-003-0 HANDLE BODY ASSEMBLY (SELF-CLOSING ROLL TYPE)			
#10	510-014-0	Handle Body	1
#11	566-100-7	Valve	1
#12	509-091-0	Air Inlet Bushing	1
#13	566-015-7	Valve Handle	1
#14	971-273-0	Pin (3.8×34)	1
#15	976-720-0	Spring (33.8×15)	1
#16	976-976-0	Spring (25×35)	1
#17	990-929-0	O-Ring (SNS-36)	1
#88	978-341-0	Snap Ring (34×2)	1
C : 509-003-2 HANDLE BODY ASSEMBLY (LEVER TYPE)			
#18	509-014-2	Handle Body	1
#19	509-102-2	Valve Seat	1
#20	203-108-1	Valve Plug	1
#20-1	990-908-0	O-Ring (SNS-10)	1
#21	425-107-1	Valve Lever	1
#22	418-091-1	Air Inlet Bushing	1

Index No.	Code No.	Parts Name	Quantity
#23	509-081-2	Handle Body Locking Nut	1
#24	509-035-2	Casing Connector	1
#25	970-322-0	Pin (H) (4×22)	1
#26	973-120-0	Roll Pin (3×20)	1
#27	976-232-0	Spring (9.5×18)	1
#28	981-210-0	Ball (3/8)	1
MOTOR SECTION			
COMMON TO ALL MODELS			
#29	510-285-2	Rear Plate	1
#30	510-291-1	Rear Plate Spacer	1
#31	510-286-1	Cylinder	1
#32	510-287-7	Rotor	1
#33	510-288-1	Blade	4
#34	510-289-1	Front Plate	1
#35	510-295-1	Cylinder Setter	1
#36	973-110-0	Roll Pin (3×10)	2
#37	978-310-0	Snap Ring (31×1.2)	1
#38	982-024-0	Ball Bearing (629)	2
#39	990-920-0	O-Ring (SNS-25)	1
SPINDLE SECTION			
D : 3/8\"/>			

Index No.	Code No.	Parts Name	Quantity
#46	982-101-0	Ball Bearing (6001)	1
CASING SECTION			
F : STANDARD TYPE			
#47	510-025-1	Casing	1
#48	949-208-0	Oval Flush Head Screw (M5×8)	1
G : REAR EXHAUST TYPE			
#49	510-025-6	Casing	1
#50	949-208-0	Oval Flush Head Screw (M5×8)	1
H : EXTENDED TYPE			
#51	511-025-1	Casing	1
#52	949-208-0	Oval Flush Head Screw (M5×8)	1
WHEEL MOUNTING SECTION			
3/8\"/>			

Index No.	Code No.	Parts Name	Quantity
#63	993-005-0	Felt Ring (15×20×3)	1
STANDARD ACCESSORIES			
#64	940-114-0	Air Hose Nipple (NPT1/4×3/8)	1
#65	936-051-0	Spanner (17×3.2×135)	1
#66	936-517-0	Spanner (17)	1
#67	939-100-0	Spanner Holder (3.5×16.5×120)	1
Only for Lever-Type			
#68	937-065-0	Spanner (4.8×22×153)	1
OPTIONAL ACCESSORIES			
#69	923-530-0	Collet Chuck Assembly (6mm) (UNF3/8-24)	1
	923-532-0	Collet Chuck Assembly (1/4\") (UNF3/8-24)	1
#70	505-412-1	Chuck Nut	1
#71	936-514-0	Spanner (14) (For Collet Chuck)	2
Only for Rear Exhaust Type			
#72	934-325-0	Exhaust Hose Assembly (3/8×200mm)	1
#73	510-082-6	Connecting Screw	1
#74	510-781-6	Exhaust Stack Bushing	1
#75	510-789-6	Exhaust Stack Cover	2
#76	606-780-1	Exhaust Stack	1
#77	612-778-0	Nylon Protector	1

Guide for your easy selection of model in ordering.

MODEL	WHEEL MOUNTING SECTION	CASING SECTION	SPINDLE SECTION	MOTOR SECTION	HANDLE SECTION
UG-65E	COMMON	F	D	COMMON	A
UG-65ER	COMMON	F	D	COMMON	B
UG-65EL	COMMON	F	D	COMMON	C
UG-65EB	COMMON	G	D	COMMON	A
UG-65EBR	COMMON	G	D	COMMON	B
UG-65EBL	COMMON	G	D	COMMON	C
UG-650E	COMMON	H	E	COMMON	A
UG-650ER	COMMON	H	E	COMMON	B
UG-650EL	COMMON	H	E	COMMON	C

When ordering spare parts, please specify model of tool, code number and part name.