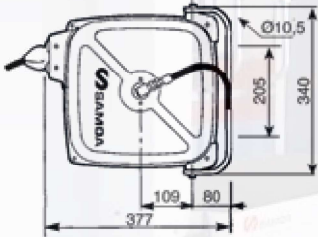


RM-38 Compact Reels For Air And Water



Compact enclosed reels with 10,12 and 15 meters maximum hose capacity. Reels for compressed air, nitrogen or water manufactured in steel. All reels include pivoting wall bracket for an easy and convenient installation. Reels are supplied with PVC hose and they have a maximum working pressure of 20 bar (285 psi).

DIMENSIONS MM (INCHES)



| PART No. | HOSE IN Ø (IN - EXT) | HOSE LENGTH | CONNECTING HOSE INLET | CONNECTING HOSE OUTLET | PRESSURE RATING | HOSE TYPE |
|----------|----------------------|-------------|-----------------------|------------------------|-----------------|-----------|
| 500 115 | 5/16" (8 mm) | 15 m | 3/8" BSP (M) | 1/4" BSP (M) | 15 bar | PVC |
| 500 116 | 3/8" (10 mm) | 12 m | 3/8" BSP (M) | 3/8" BSP (M) | 15 bar | PVC |
| 500 110 | 5/16" (8 mm) | 12 m | 3/8" BSP (M) | 1/4" BSP (M) | 20 bar | PUR |
| 500 111 | 3/8" (10 mm) | 10 m | 3/8" BSP (M) | 3/8" BSP (M) | 20 bar | PUR |

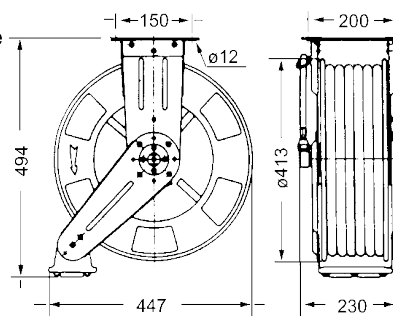
RM-12SS Double Arm Hose Reel In Stainless Steel



Multi-application hose reels made of stainless steel (AISI 304) for use in corrosive environments, outdoors and in the food industry (air and water). With double arm support structure, the arms are orientable to achieve optimum performance in any mounting position: wall, ceiling or floor mounted.

Features:

- Large hose capacity up to 20 m (maximum Ø 3/8").
- For use with air and water at low or high pressure.
- All hoses are provided with crimped terminals.



| PART No. | HOSE IN Ø (IN - EXT) | HOSE LENGTH | CONNECTING HOSE INLET | CONNECTING HOSE OUTLET | PRESSURE RATING | HOSE TYPE |
|----------|----------------------|-------------|-----------------------|------------------------|-----------------|-------------------|
| 503 120 | 1/2" (12,5 mm) | 20 m | 1/2" BSP (M) | 1/2" BSP (M) | 10 bar | Food-grade rubber |
| 503 400 | 3/8" (10 mm) | 20 m | 3/8" BSP (M) | 3/8" BSP (F) | 250 bar | Food-grade rubber |