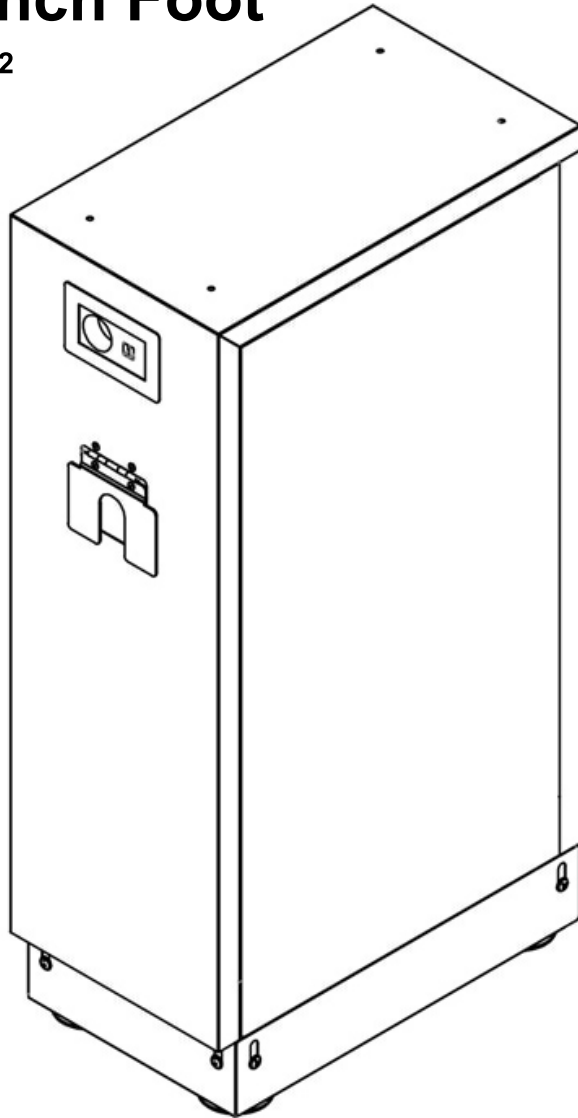




Assemble Manual

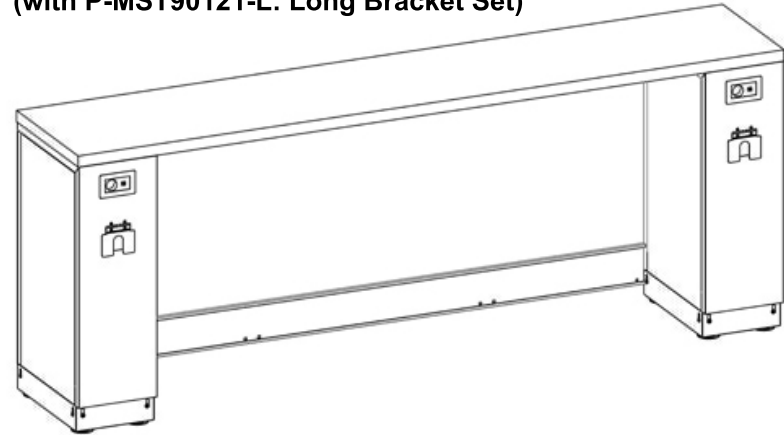
Workbench Foot

Part No.: MST9012



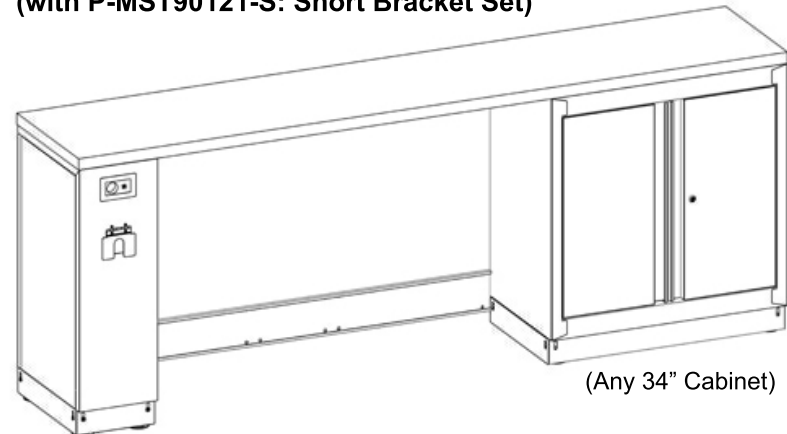
Combination A

(with P-MST90121-L: Long Bracket Set)



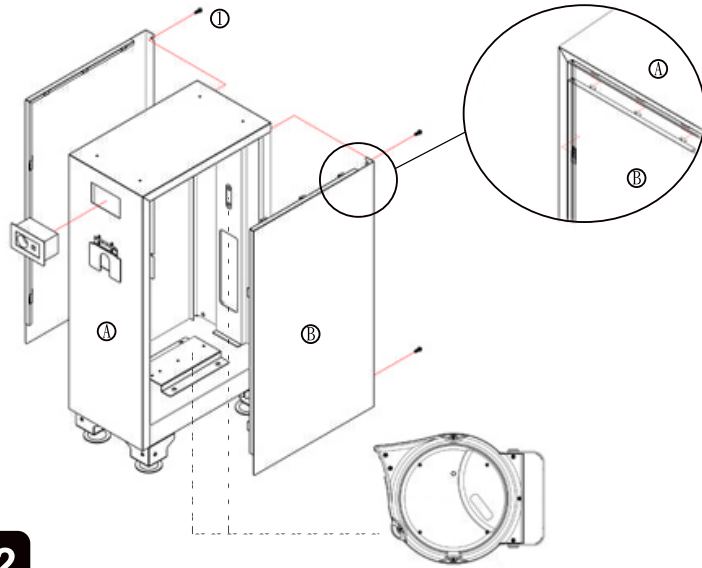
Combination B

(with P-MST90121-S: Short Bracket Set)



STEP 1

Remove both side panel ② from cabinet ①, mount air/ electric reel hose and power strip from inside.
(The cabinet not included air/ electric and power strip)

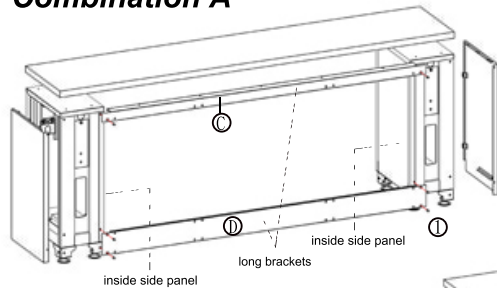


STEP 2

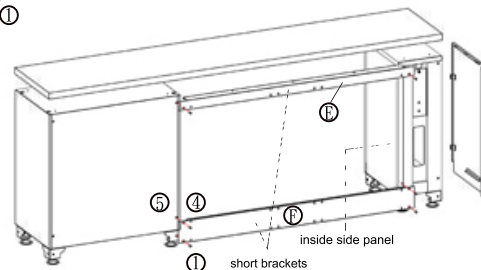
Fix the inside side panel and brackets with cabinet

- Bracket ③ and ④ fit for **Combination A**
- Bracket ⑤ and ⑥ fit for **Combination B**

Combination A



Combination B



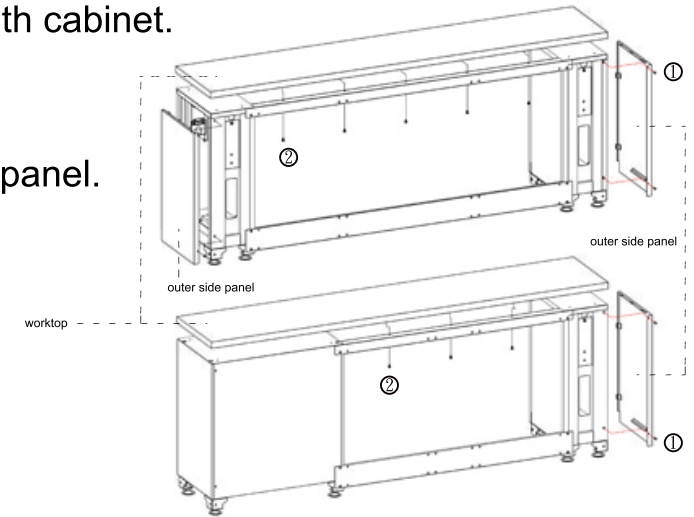
※DO NOT fix outer side panel now.

STEP 3

Fix the worktop with cabinet.

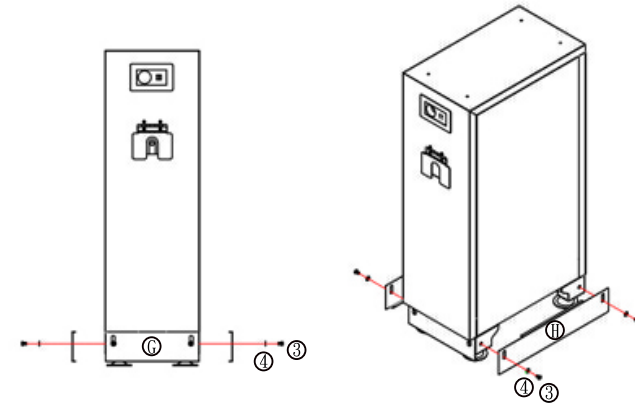
STEP 4

Fix the outer side panel.



STEP 5

Fix the front and side footcover with cabinet.
(The cabinet not included side footcover)



PART LIST

Part No.	Description	QTY	Part No.	Description	QTY	Part No.	Description	QTY
MST9012 Workbench Foot			P-MST90121-L Long Bracket Set			P-MST90121-S Short Bracket Set		
①	Workbench Foot (Main Body)		③	Long Bracket		①	Short Bracket	
②	Workbench Foot (Side Panel)		④	Long Bracket		②	Nut Screw with Phillips Drive M6	1
③	Front Footcover		⑤	Nut Screw Drive	5	③	Nut Screw Drive	3
④	Nut Screw with Phillips Drive M6	6	⑥	Flat Head Screw Phillips M6	2	④	Washer	1
⑤	Nut Screw Drive	4	⑦	Washer	2	⑤	Nut M6	1