


ATV SSV KIT Luggage Rack Basket

Product: **ATV**
 Project no: **487800697_rev1**
 Instruction Sheet **487800697**
 P/N:
 Revision no: **1**
 Revision date: **February 2017**
 Item covered: **Luggage Rack Basket,
 To install the luggage rack basket on Outlander L models, the LinQ Base kit (P/N 715002350) is required.**

The following symbols may be used in this document:

 **WARNING**

Indicates a hazardous situation which, if not avoided, could result in death or serious injury.

 **CAUTION:** Indicates a hazard situation which, if not avoided, could result in minor or moderate injury.
NOTICE Indicates an instruction which, if not followed, could severely damage vehicle components or other property.

 **WARNING**

- This kit is designed for specific applicable models only (authorized BRP dealers will confirm model(s)). It is not recommended for units other than the one (those) for which it was sold.
- If the installation of the kit requires a template, ensure template is to scale.
- Should removal of a locking device (e.g. lock tabs, self-locking fasteners, etc.) be required when undergoing disassembly/assembly, always replace with a new one.
- Torque wrench tightening specifications must strictly be adhered to.

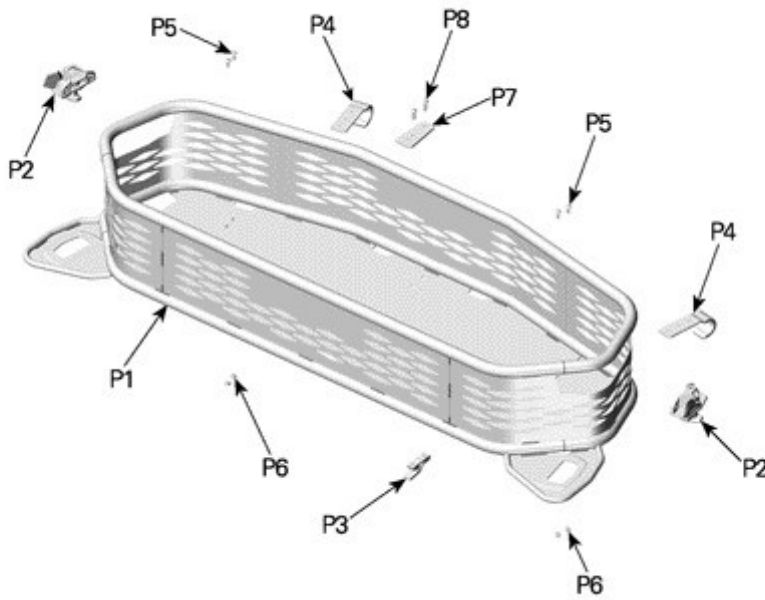
NOTE: USE TIGHTENING TORQUES IN THE FOLLOWING TABLE IF NOT OTHERWISE SPECIFIED.

	GRADE			
	5.8	8.8	10.9	12.9
M4	1.8 ± 0.2 N•m (1.6 ± 2 lbf•in)	2.8 ± 0.2 N•m (2.5 ± 2 lbf•in)	3.8 ± 0.2 N•m (3.4 ± 2 lbf•in)	4.5 ± 0.5 N•m (4.0 ± 4 lbf•in)
M5	3.3 ± 0.2 N•m (2.9 ± 2 lbf•in)	5.0 ± 0.5 N•m (4.4 ± 4 lbf•in)	7.8 ± 0.7 N•m (6.9 ± 6 lbf•in)	9.0 ± 1.0 N•m (8.0 ± 9 lbf•in)
M6	7.5 ± 1.0 N•m (6.6 ± 9 lbf•in)	10.0 ± 2.0 N•m (8.9 ± 18 lbf•in)	12.8 ± 2.2 N•m (11.3 ± 19 lbf•in)	16.0 ± 2.0 N•m (14.2 ± 18 lbf•in)
M8	15.3 ± 1.7 N•m (13.5 ± 15 lbf•in)	24.5 ± 3.5 N•m (18 ± 3 lbf•ft)	31.5 ± 3.5 N•m (23 ± 3 lbf•ft)	40.0 ± 5.0 N•m (30 ± 4 lbf•ft)
M10	29 ± 3 N•m (21 ± 2 lbf•ft)	48 ± 6 N•m (35 ± 4 lbf•ft)	61 ± 9 N•m (45 ± 7 lbf•ft)	73 ± 7 N•m (54 ± 5 lbf•ft)
M12	52 ± 6 N•m (38 ± 4 lbf•ft)	85 ± 10 N•m (63 ± 7 lbf•ft)	105 ± 15 N•m (77 ± 11 lbf•ft)	128 ± 17 N•m (94 ± 13 lbf•ft)
M14	85 ± 10 N•m (63 ± 7 lbf•ft)	135 ± 15 N•m (100 ± 11 lbf•ft)	170 ± 20 N•m (125 ± 15 lbf•ft)	200 ± 25 N•m (148 ± 18 lbf•ft)
M16	126 ± 14 N•m (93 ± 10 lbf•ft)	205 ± 25 N•m (151 ± 18 lbf•ft)	255 ± 30 N•m (189 ± 22 lbf•ft)	305 ± 35 N•m (225 ± 26 lbf•ft)
M18	170 ± 20 N•m (125 ± 15 lbf•ft)	273 ± 32 N•m (201 ± 24 lbf•ft)	330 ± 25 N•m (243 ± 18 lbf•ft)	413 ± 47 N•m (305 ± 35 lbf•ft)

NOTE: The illustrations in this document show typical construction of the different assemblies and may not reproduce the full detail or exact shape of the parts; however, they represent parts that have the same or similar function.

Installation time is approximately 0.3 hour.

Parts to be installed



ITEM	Description	part number	QTY
P1	Basket	Not available separately	1
P2	LinQ attachment kit	715001707	1
P3	Base hook	Available in service kit	1
P4	Clamp	Available in service kit	2
P5	M4 X 12 Torx screw	Available in service kit	4
P6	M4 elastic nut	Available in service kit	4
P7	Reinforcement plate	Available in service kit	1
P8	M5 X 16 Torx screw	Available in service kit	2

NOTE: [P7] & [P8] are only available in new version of basket. Use [P5] & [P6] instead of [P8] for older version.

Service kit

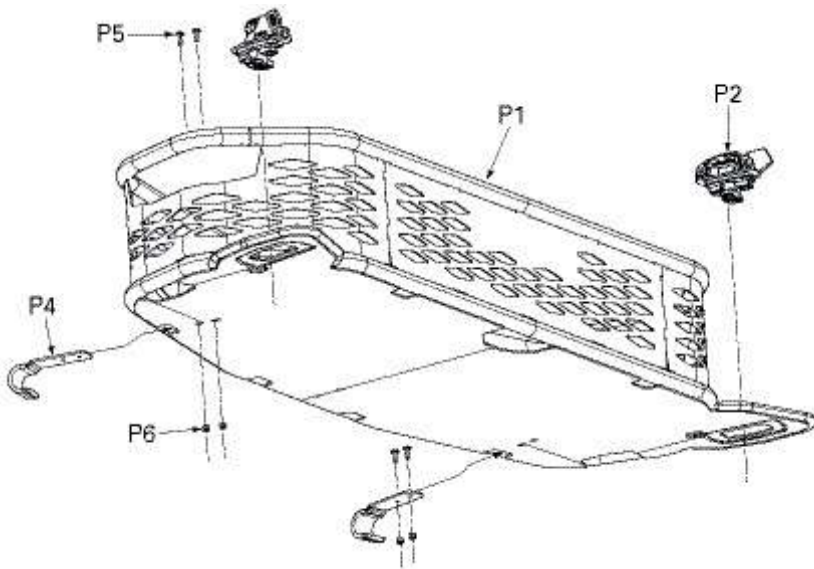
Description	part number	QTY
Service cargo support	715004386	1

INSTRUCTIONS

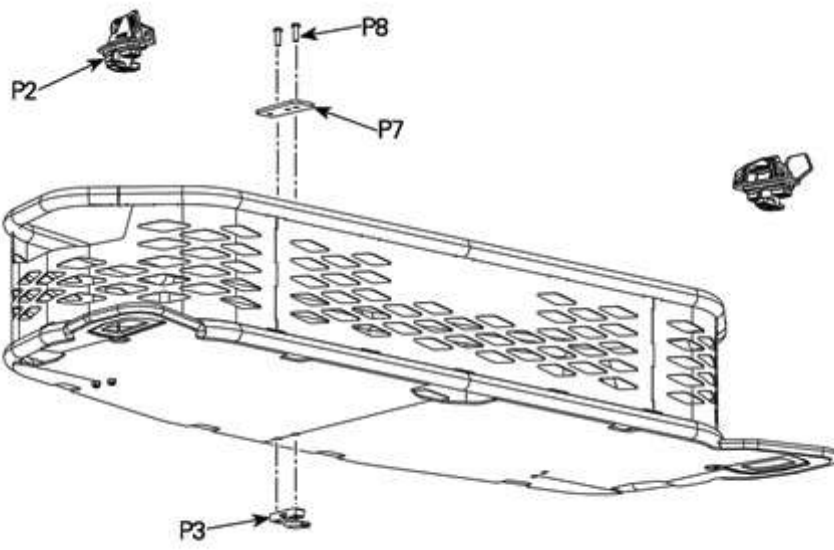
Basket Assembly

NOTE: Install [P2] as per instruction sheet in LinQ attachment kit.

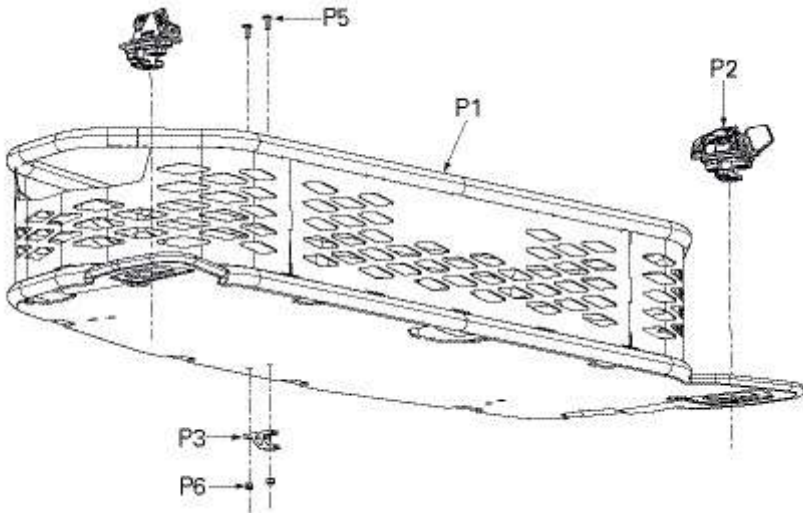
Outlander L Models



Outlander Models (New Version)

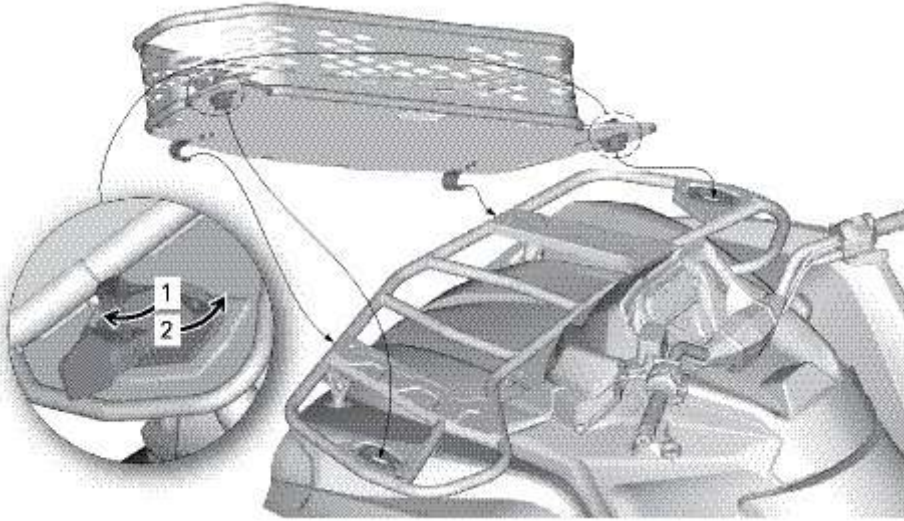


Outlander Models (Old Version)



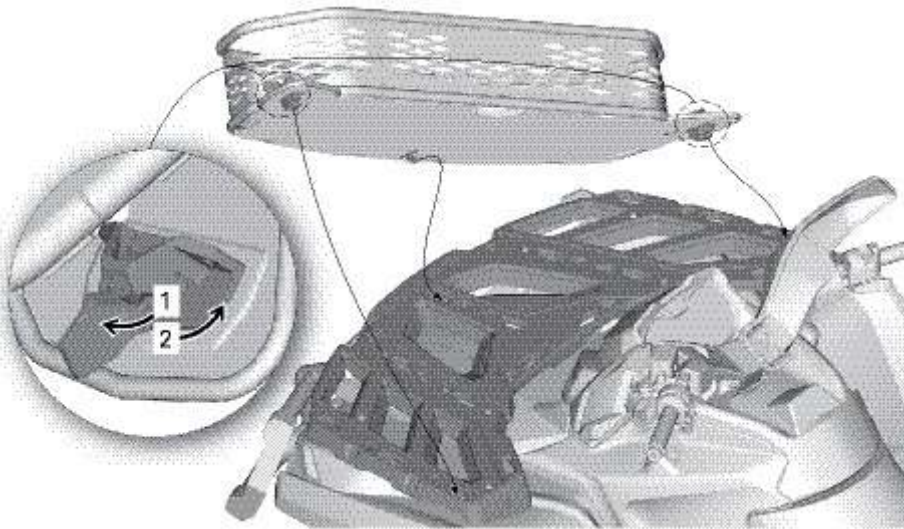
Basket Installation
Outlander L Models

First install the LinQ base kit on luggage rack.



- 1. Lever open for installation and removal
- 2. Lever closed to lock in place

Outlander Models



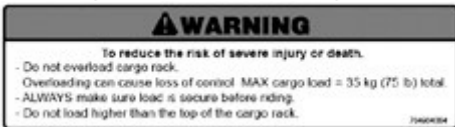
- 1. Lever open for installation and removal
- 2. Lever closed to lock in place

Warning Label

This product comes with a warning label containing important safety information.

The following label should be considered a permanent part of the product. If the label comes off or becomes hard to read, please contact an authorized BRP dealer for replacement.

Any person who intends to use this product should read and understand the information contained on the warning label before doing so.



English Label (P/N 704904004)



French label (P/N 704904005)