

ATV KIT - Can-Am ProMount Mounting Kit

Product: **ATV**
 Project no: **487802761**
 Instruction Sheet P/N: **487802761**
 Revision no:
 Revision date:
 Item covered: **Can-Am ProMount Mounting Kit**

The following symbols may be used in this document:



WARNING

Indicates a hazardous situation which, if not avoided, could result in death or serious injury.

CAUTION: Indicates a hazard situation which, if not avoided, could result in minor or moderate injury.
NOTICE Indicates an instruction which, if not followed, could severely damage vehicle components or other property.



WARNING

- This kit is designed for specific applicable models only (authorized BRP dealers will confirm model(s)). It is not recommended for units other than the one (those) for which it was sold.
- Should removal of a locking device (e.g. lock tabs, self-locking fasteners, etc.) be required when undergoing disassembly/assembly, always replace with a new one.
- Torque wrench tightening specifications must strictly be adhered to.
- Unless otherwise specified, engine must be OFF when performing any operation on the vehicle.
- Always be aware of parts that can move, such as wheels, transmission components, etc.
- Always wear EYE PROTECTION AND APPROPRIATE GLOVES when using power tools.
- Some components may be HOT. Always wait for engine to cool down before performing work.



WARNING

Some important safety information and/or operating instructions dedicated to the end user might be included in this instruction sheet. Make sure to give the kit part number as well as the instruction sheet included with this kit to the customer. Verify that the customer has access to all the information required for proper use of the accessory.

NOTE: USE TIGHTENING TORQUES IN THE FOLLOWING TABLE IF NOT OTHERWISE SPECIFIED.



	GRADE			
	5.8	8.8	10.9	12.9
M4	1.8 ± 0.2 N•m (16 ± 2 lbf•in)	2.8 ± 0.2 N•m (25 ± 2 lbf•in)	3.8 ± 0.2 N•m (34 ± 2 lbf•in)	4.5 ± 0.5 N•m (40 ± 4 lbf•in)
M5	3.3 ± 0.2 N•m (29 ± 2 lbf•in)	5 ± 0.5 N•m (44 ± 4 lbf•in)	7.8 ± 0.7 N•m (69 ± 6 lbf•in)	9 ± 1 N•m (80 ± 9 lbf•in)
M6	7.5 ± 1 N•m (66 ± 9 lbf•in)	10 ± 2 N•m (89 ± 18 lbf•in)	12.8 ± 2.2 N•m (113 ± 19 lbf•in)	16 ± 2 N•m (142 ± 18 lbf•in)
M8	15.3 ± 1.7 N•m (135 ± 15 lbf•in)	24.5 ± 3.5 N•m (18 ± 3 lbf•ft)	31.5 ± 3.5 N•m (23 ± 3 lbf•ft)	40 ± 5 N•m (30 ± 4 lbf•ft)
M10	29 ± 3 N•m (21 ± 2 lbf•ft)	48 ± 6 N•m (35 ± 4 lbf•ft)	61 ± 9 N•m (45 ± 7 lbf•ft)	73 ± 7 N•m (54 ± 5 lbf•ft)
M12	52 ± 6 N•m (38 ± 4 lbf•ft)	85 ± 10 N•m (63 ± 7 lbf•ft)	105 ± 15 N•m (77 ± 11 lbf•ft)	128 ± 17 N•m (94 ± 13 lbf•ft)
M14	85 ± 10 N•m (63 ± 7 lbf•ft)	135 ± 15 N•m (100 ± 11 lbf•ft)	170 ± 20 N•m (125 ± 15 lbf•ft)	200 ± 25 N•m (148 ± 18 lbf•ft)

M16	126 ± 14 N•m (93 ± 10 lbf•ft)	205 ± 25 N•m (151 ± 18 lbf•ft)	255 ± 30 N•m (188 ± 22 lbf•ft)	305 ± 35 N•m (225 ± 26 lbf•ft)
M18	170 ± 20 N•m (125 ± 15 lbf•ft)	273 ± 32 N•m (201 ± 24 lbf•ft)	330 ± 25 N•m (243 ± 18 lbf•ft)	413 ± 47 N•m (305 ± 35 lbf•ft)

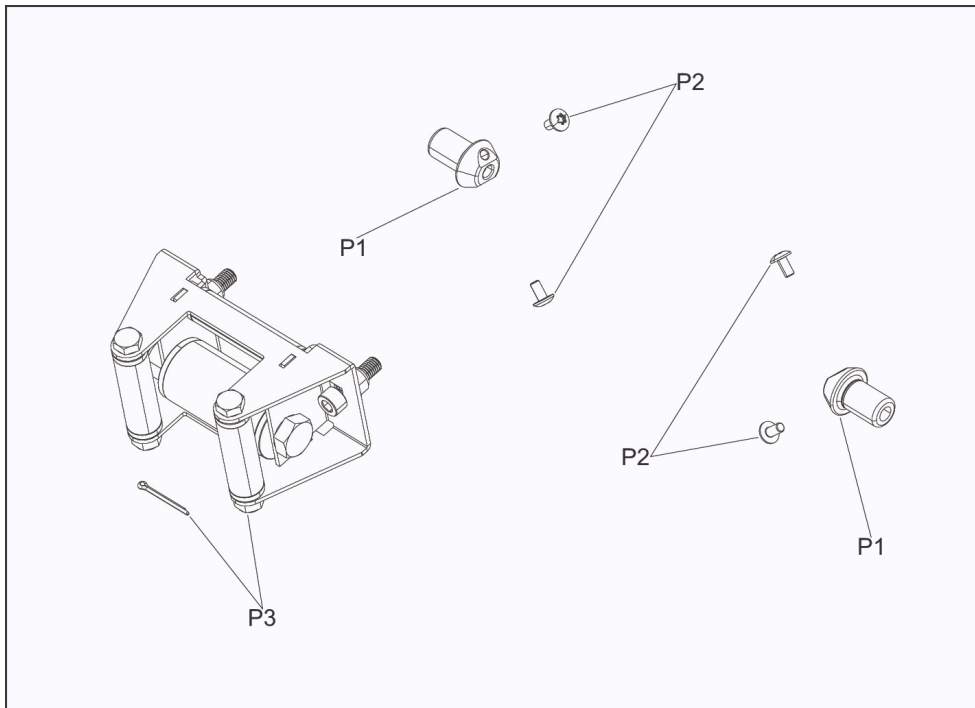
NOTE: The illustrations in this document show typical construction of the different assemblies and may not reproduce the full detail or exact shape of the parts; however, they represent parts that have the same or similar function.

Installation time is approximately **0.25** hours.

ICON LEGEND

ICON	INDICATES
	Parts to be discarded
	Parts kept for reinstallation

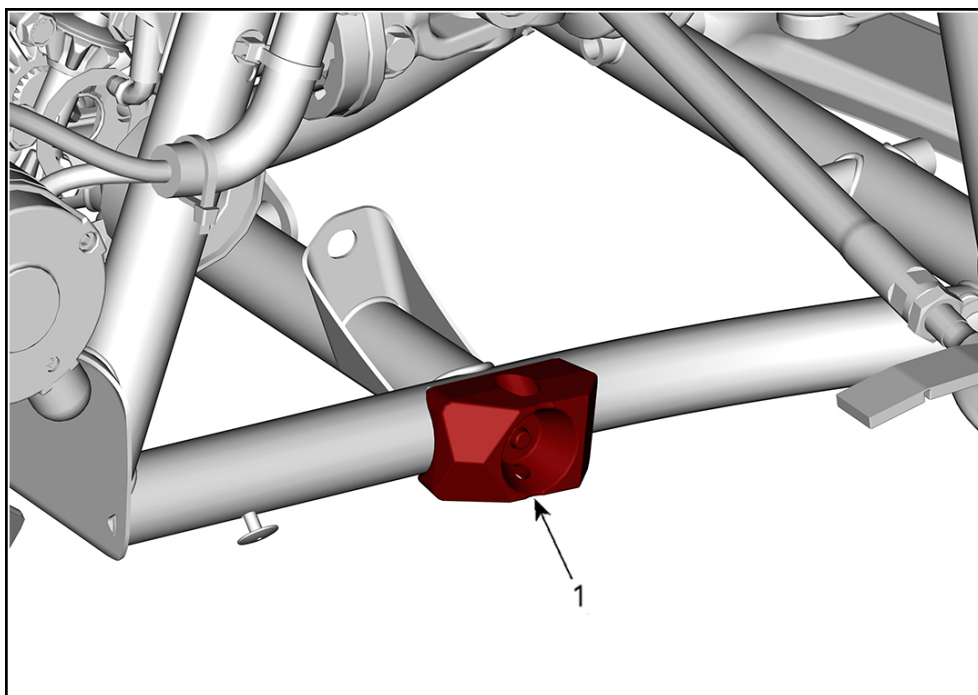
PARTS TO BE INSTALLED



ITEM	DESCRIPTION	PART NUMBER	QTY
P1	Pin guide	Not available separately	2
P2	M6 x 12 Torx screw	Not available separately	4
P3	Winch cable guide kit	705009222	1

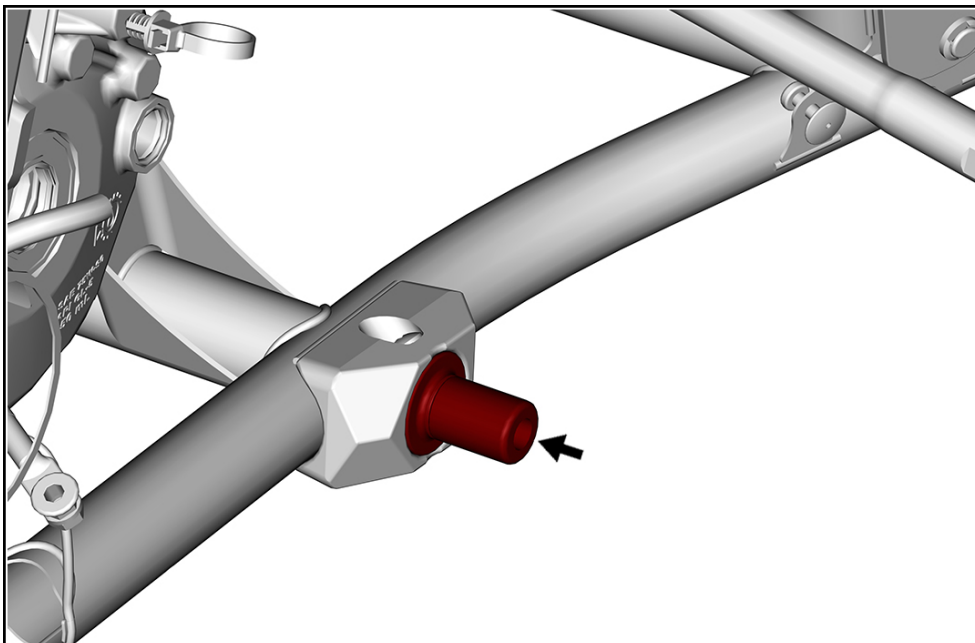
INSTALLATION INSTRUCTIONS (PINS)

1. Make sure all interior surfaces of the snowplow mount bases are smooth and clean. Washing could be required.



1. *Snowplow support*

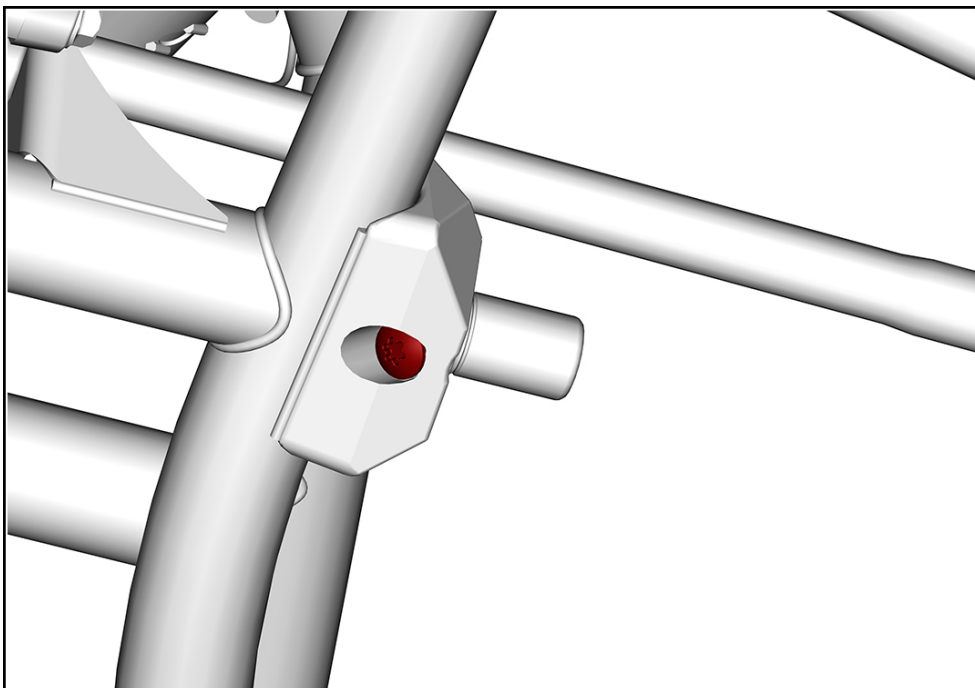
2. Install the pin guide [P1] in the snowplow support.



NOTE: If the bolts are not aligned with the threads of the pin guide, gently hit the tip of the pin guide with a hammer to make sure they are firmly resting inside the forged bases.

3. Install M6 x 12 Torx screws [P2] and tighten to specification.

TIGHTENING TORQUE	
M6 x 12 Torx screws [P2]	12.8 ± 2.2 N•m (113 ± 19 lbf•in)



CHANGING THE WINCH CABLE GUIDE

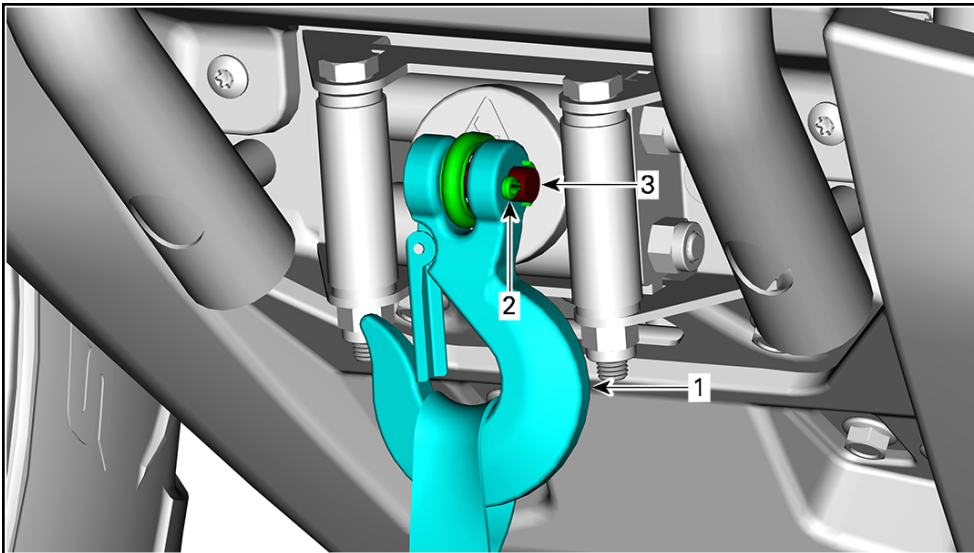
1. Take the winch cable out about 1 m (3.3 ft).

⚠ CAUTION: Always use hook strap to manipulate wire cable.

2. Disconnect the battery.

NOTICE: Always disconnect battery before doing any electrical installation. Always disconnect battery in this specified order, BLACK (-) cable first. Do not place tools on battery.

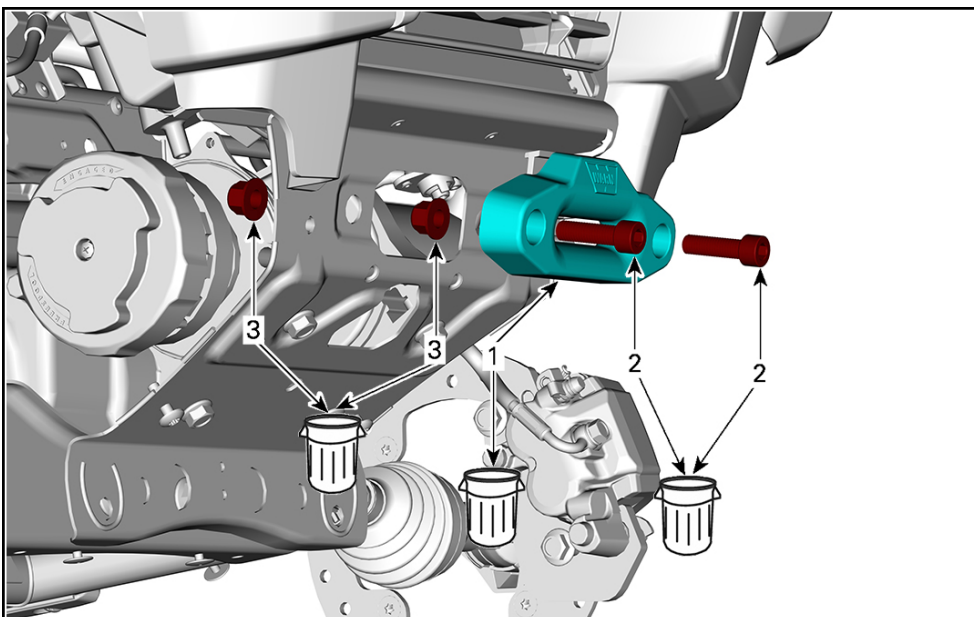
3. Remove the cable hook by removing the cotter pin and clevis pin.



TYPICAL – HOOK

1. Hook and Strap
2. Cotter Pin
3. Clevis Pin

4. Remove the hawse fairlead or roller fairlead from the vehicle. Discard screws and nuts.

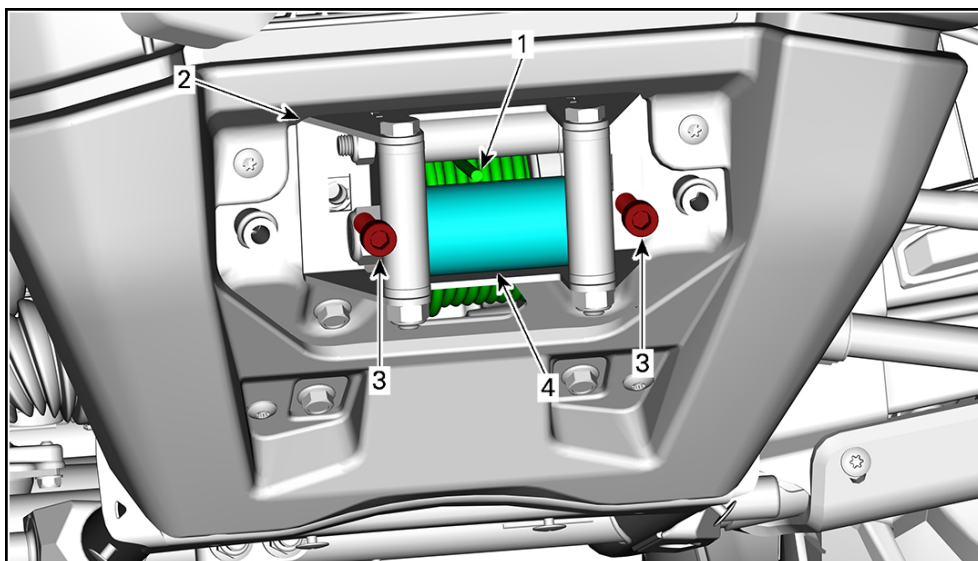


TYPICAL – HAWSE FAIRLEAD

1. Fairlead
2. Screw
3. Nut

5. Run the cable through the old or new roller fairlead and reinstall/install roller on vehicle. Secure the roller using the 2 new kept M8 x 20 socket head screws and M6 nuts at the back. Tighten to specification. The kit provides a large roller that goes below the little one.

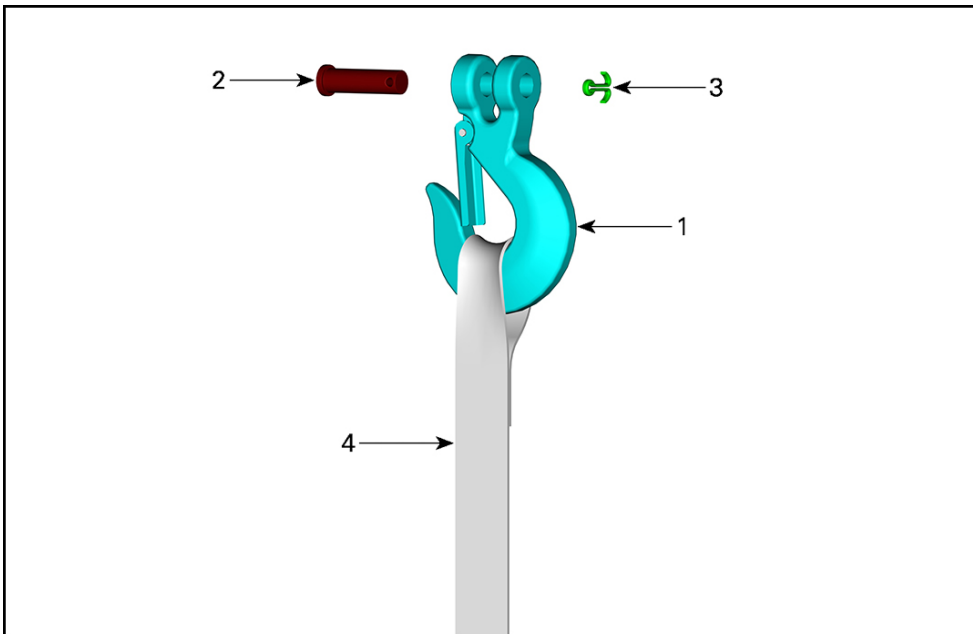
TIGHTENING TORQUE	
M8 x 20 Socket Head Screw	16 ± 2 N•m (142 ± 18 lbf•in)



TYPICAL – ROLLER FAIRLEAD

1. Cable
2. Roller Fairlead
3. M8 x 20 Socket Head Screw
4. Large roller

6. Reinstall the hook on the cable. Use the clevis pin and the new cotter pin to secure.




1. Hook
2. Clevis Pin
3. Cotter Pin
4. Hook Strap

SAFETY LABEL

This product comes with the following label containing important safety information.

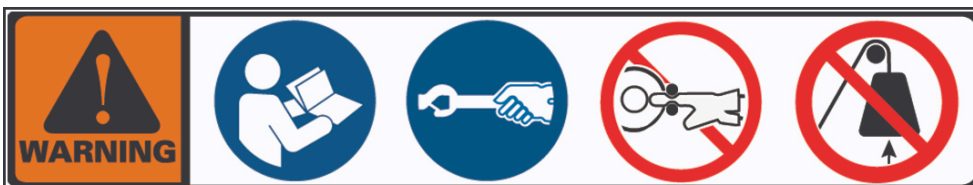
The label should be considered a permanent part of this product. If the label comes off or becomes hard to read, please contact an authorized dealer for FREE OF CHARGE replacement.

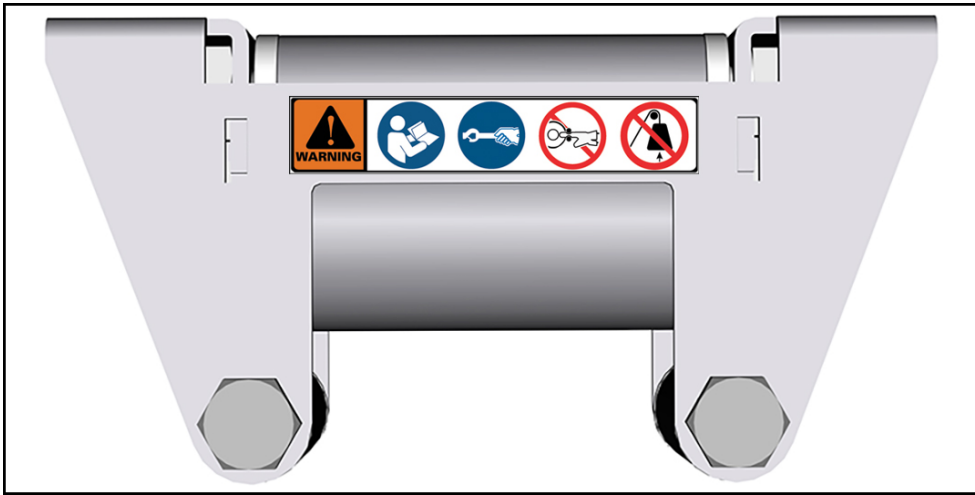
Any person who intends to use this product should read and understand the information contained on the label before doing so.

•  **WARNING**

Locate and read the Operator's Guide. Improper use can result in SEVERE INJURY or DEATH. Follow all instructions and warnings.

- Never put your fingers into the hook.
- Always use the hand strap to manipulate the hook and rope.
- Avoid putting your hand between hook and hawse or roller fairlead. You can crush your fingers.
- Never use the winch to lift objects or people.





TOP VIEW – WINCH ROLLER FAIRLEAD