


ATV-SSV-SKI-PWC KIT - LinQ Gear Grips

Product: **ATV/SSV/SKI-DOO/PWC**
 Project no: **487802907_rev2**
 Instruction Sheet P/N: **487802907**
 Revision no: **2**
 Revision date: **February, 2024**
 Item covered: **LinQ Gear Grips**

The following symbols may be used in this document:

 **WARNING**

Indicates a hazardous situation which, if not avoided, could result in death or serious injury.

 **CAUTION:** Indicates a hazard situation which, if not avoided, could result in minor or moderate injury.

NOTICE Indicates an instruction which, if not followed, could severely damage vehicle components or other property.

 **WARNING**

- This kit is designed for specific applicable models only (authorized BRP dealers will confirm model(s)). It is not recommended for units other than the one (those) for which it was sold.
- Should removal of a locking device (e.g. lock tabs, self-locking fasteners, etc.) be required when undergoing disassembly/ assembly, always replace with a new one.
- Torque wrench tightening specifications must strictly be adhered to.
- Unless otherwise specified, engine must be OFF when performing any operation on the vehicle.
- Always be aware of parts that can move, such as wheels, transmission components, etc.

 **WARNING**

Some important safety information and/or operating instructions dedicated to the end user might be included in this instruction sheet. Make sure to give the kit part number as well as the instruction sheet included with this kit to the customer. Verify that the customer has access to all the information required for proper use of the accessory.

NOTE: USE TIGHTENING TORQUES IN THE FOLLOWING TABLE IF NOT OTHERWISE SPECIFIED.

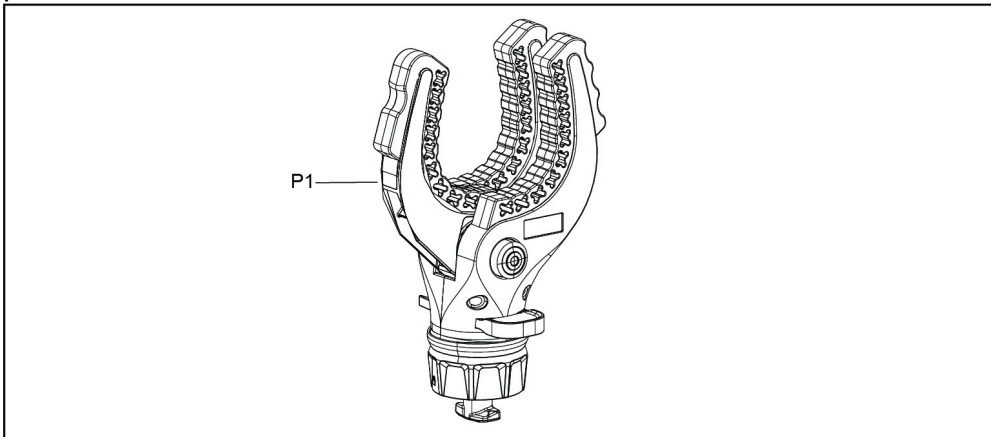
	GRADE			
	5.8	8.8	10.9	12.9
M4	1.8 ± 0.2 N•m (16 ± 2 lbf•in)	2.8 ± 0.2 N•m (25 ± 2 lbf•in)	3.8 ± 0.2 N•m (34 ± 2 lbf•in)	4.5 ± 0.5 N•m (40 ± 4 lbf•in)
M5	3.3 ± 0.2 N•m (29 ± 2 lbf•in)	5 ± 0.5 N•m (44 ± 4 lbf•in)	7.8 ± 0.7 N•m (69 ± 6 lbf•in)	9 ± 1 N•m (80 ± 9 lbf•in)
M6	7.5 ± 1 N•m (66 ± 9 lbf•in)	10 ± 2 N•m (89 ± 18 lbf•in)	12.8 ± 2.2 N•m (113 ± 19 lbf•in)	16 ± 2 N•m (142 ± 18 lbf•in)
M8	15.3 ± 1.7 N•m (135 ± 15 lbf•in)	24.5 ± 3.5 N•m (18 ± 3 lbf•ft)	31.5 ± 3.5 N•m (23 ± 3 lbf•ft)	40 ± 5 N•m (30 ± 4 lbf•ft)
M10	29 ± 3 N•m (21 ± 2 lbf•ft)	48 ± 6 N•m (35 ± 4 lbf•ft)	61 ± 9 N•m (45 ± 7 lbf•ft)	73 ± 7 N•m (54 ± 5 lbf•ft)
M12	52 ± 6 N•m (38 ± 4 lbf•ft)	85 ± 10 N•m (63 ± 7 lbf•ft)	105 ± 15 N•m (77 ± 11 lbf•ft)	128 ± 17 N•m (94 ± 13 lbf•ft)

M14	85 ± 10 N•m (63 ± 7 lbf•ft)	135 ± 15 N•m (100 ± 11 lbf•ft)	170 ± 20 N•m (125 ± 15 lbf•ft)	200 ± 25 N•m (148 ± 18 lbf•ft)
M16	126 ± 14 N•m (93 ± 10 lbf•ft)	205 ± 25 N•m (151 ± 18 lbf•ft)	255 ± 30 N•m (188 ± 22 lbf•ft)	305 ± 35 N•m (225 ± 26 lbf•ft)
M18	170 ± 20 N•m (125 ± 15 lbf•ft)	273 ± 32 N•m (201 ± 24 lbf•ft)	330 ± 25 N•m (243 ± 18 lbf•ft)	413 ± 47 N•m (305 ± 35 lbf•ft)

The illustrations in this document show typical construction of the different assemblies and may not reproduce the full detail or exact shape of the parts; however, they represent parts that have the same or similar function.

Installation time is approximately 0.1 hour.

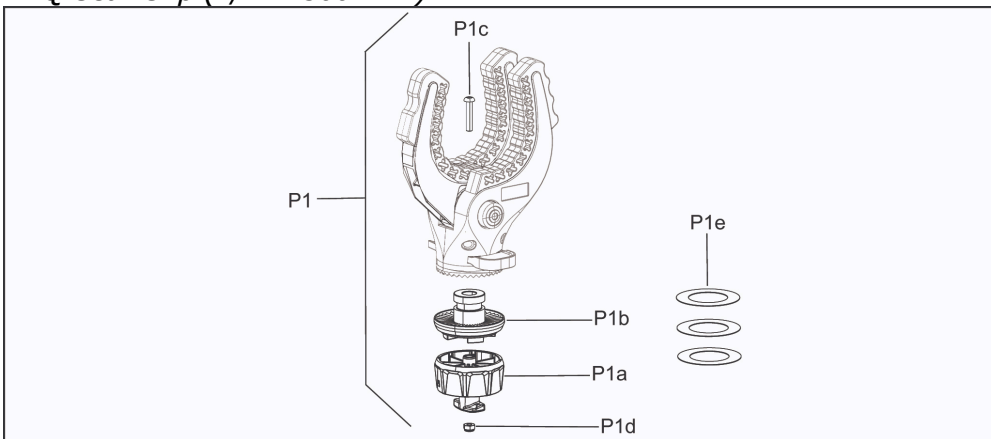
parts to be installed



ITEM	DESCRIPTION	Part number	QTY
P1	LinQ Gear Grip Assembly (Includes P1a to P1d)	See Service Parts (P/N 715001421)	2

service parts

LinQ Gear Grip (P/N 715001421)



ITEM	DESCRIPTION	Part number	QTY
P1	LinQ Gear Grip Assembly (Includes P1a to P1d)	715001421	1
P1a	Gear Grip Base	705015399	1
P1b	Gear Grip Adapter	705015565	1
P1c	M6 X 30 Torx Screw	235563054	1
P1d	M6 Elastic Nut	232561494	1
P1e	Shim Kit (3 shims)	715009908	1

instructions
Part Installation



- Use the LinQ Gear Grip in pairs.
- Always install the grips so that the double arms section are oriented towards the driver.
- Do not use the grips to support or hold down heavy objects.
- It is not recommended to carry an object wider than the vehicle but if you still decide to do so, you have to double your vigilance to avoid any contact between the object and any obstacles.
- Objects can become dislodged from the clamps when moving quickly or on a bumpy trail. Reduce vehicle speed and check often to see if objects are still in the grips.
- When mounted vertically, the grips should always be installed so the opening faces upwards, the dual jaw pivot is below and supporting the weight of the object.

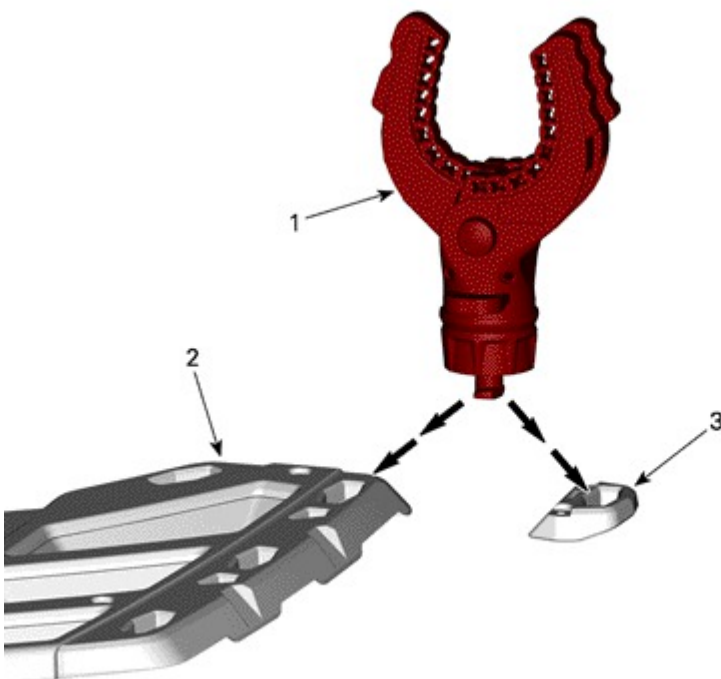
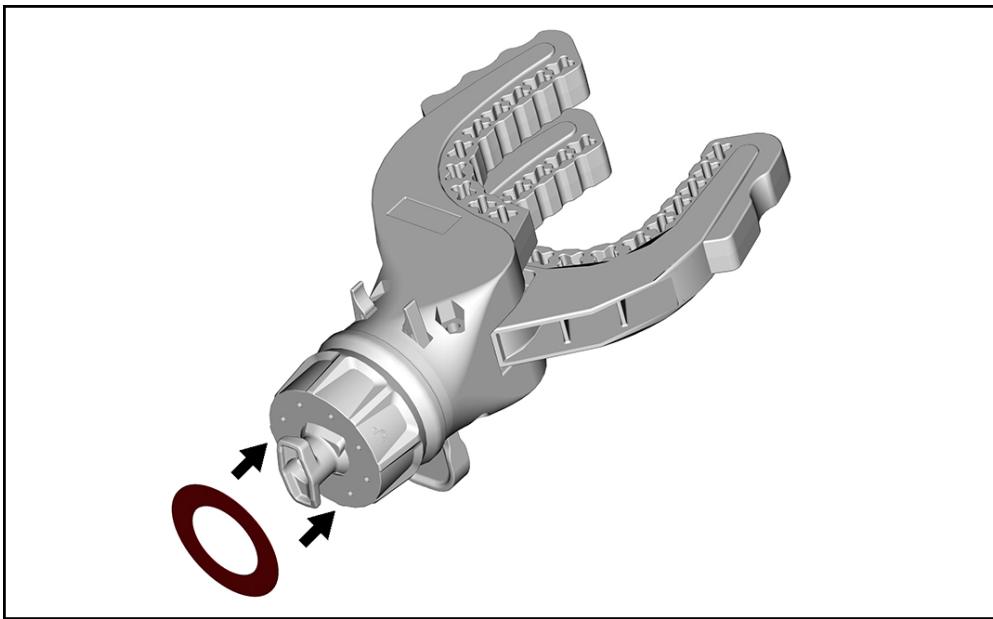
NOTICE Make sure the grips are secure/lock in place before going on a ride.

⚠ CAUTION: Maximum capacity for a pair of tool holders on a vertical surface: 4.5 kg (10 lb).

NOTE: LinQ Gear Grip comes already assembled.

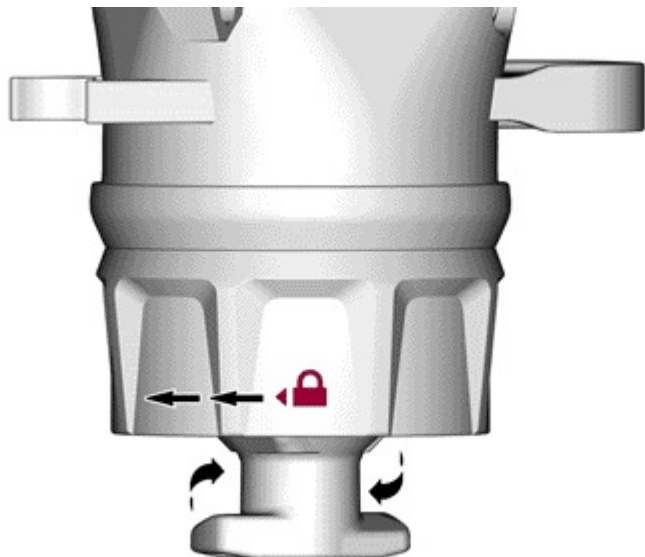
1. Insert gear grip [P1] in either a cargo base or cargo rack then quarter turn the grip to the left (clockwise) to lock it in place as illustrated on pictogram located on gear grip base [P1a].

NOTE : If the locking is considered insufficient, use the shims [P1e] from Shim Kit (P/N 715009908). Add only one at a time and test. You may add other's if needed.



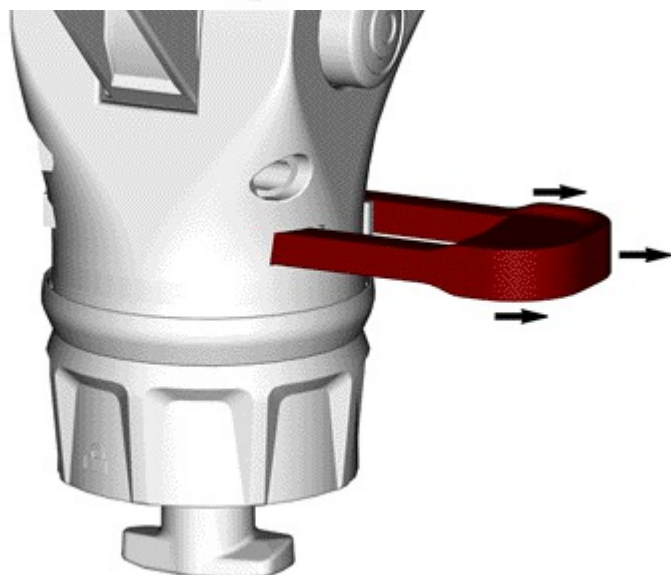
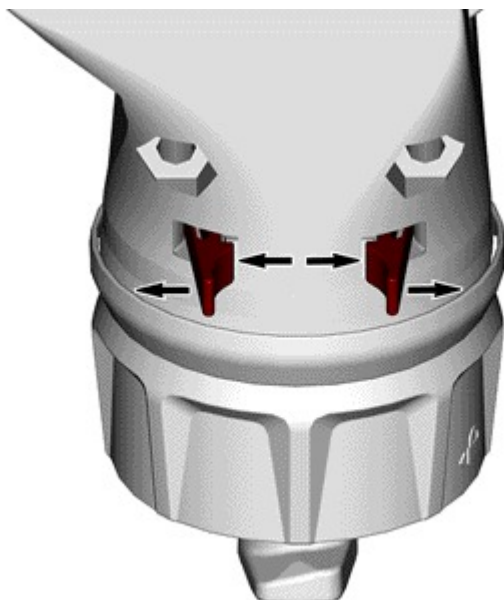
1. LinQ Gear Grip
2. LinQ Rack

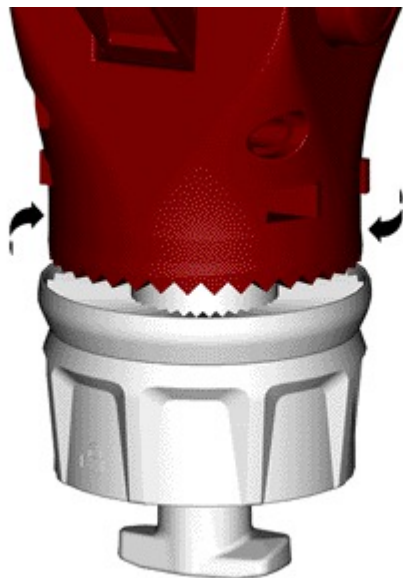
3. LinQ Base



2. You may direct the gear grip in any way you want (360 degree rotation) by simply unlocking it. You need to press on the U shape clamp tabs, pulling towards the exterior of the grip.

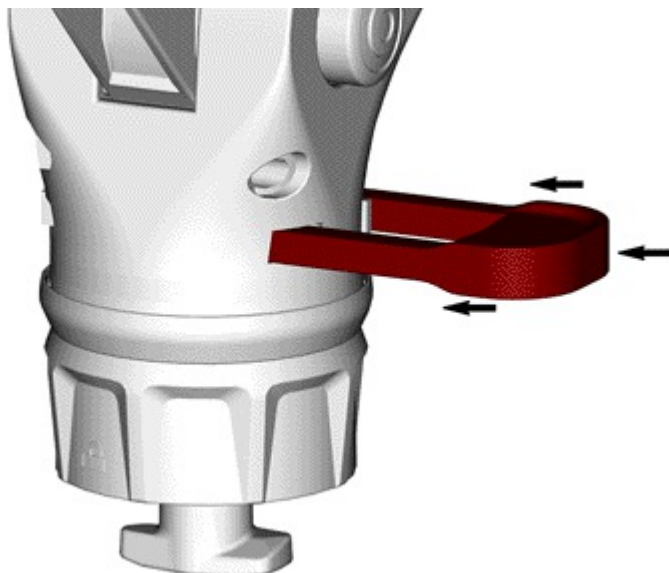
NOTE: The plastic tabs must be pressed lightly towards the outside, otherwise the U-clamp may be damaged.



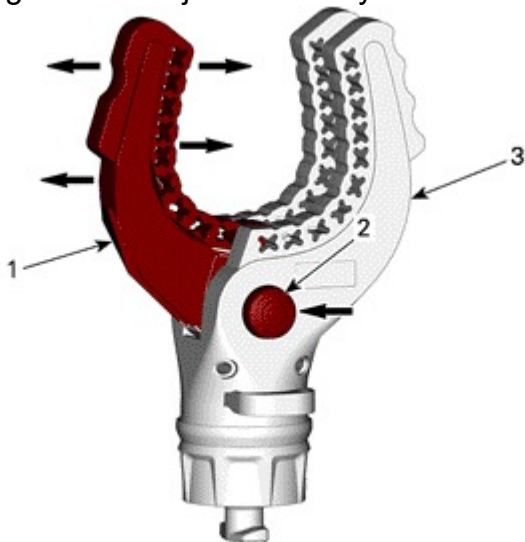


3. In order to lock the gear grip, the U-clamp must be inserted back into the base.

NOTE: U-clamp needs to be inserted from the release button side. Look for the engraved note on the grips.



4. To fix an object into the gear grip, you need to move the single jaw towards the double jaw (fix jaw) in order to tighten the object. You may release the object by simply push the release button.



1. Single Jaw
2. Release Button
3. Double Jaw