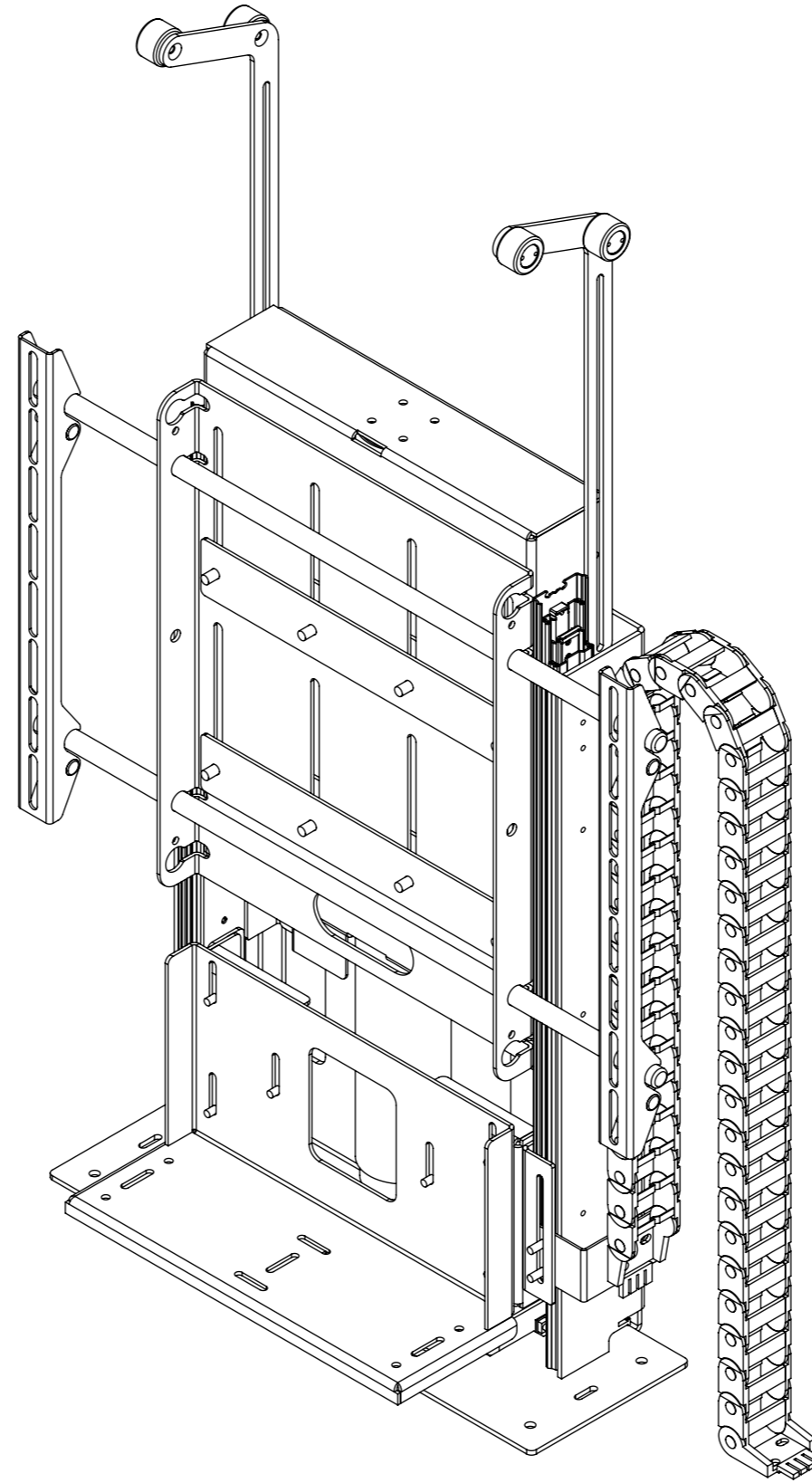


# AL965

## ACTUATOR LIFT



future automation



# AL965

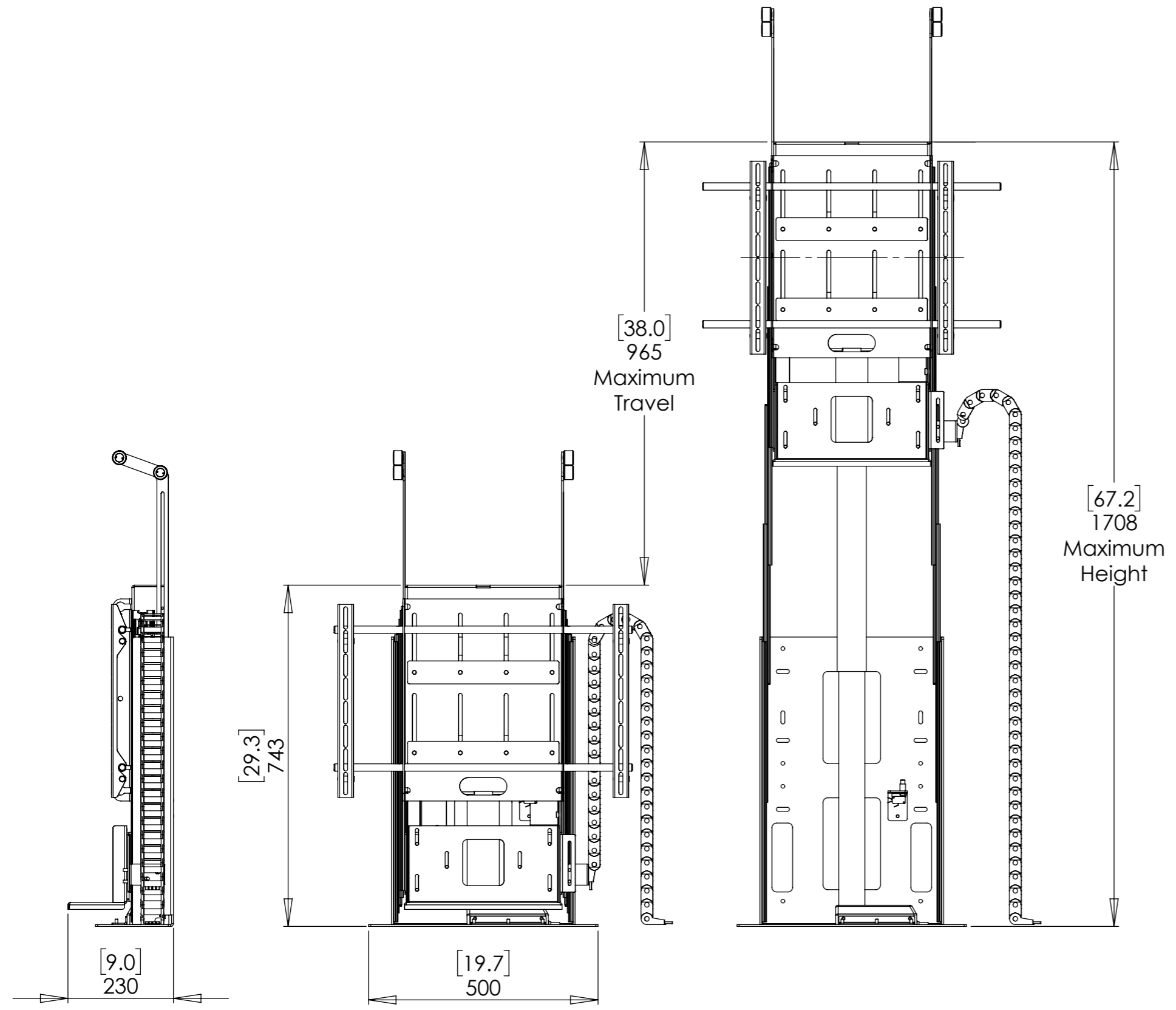
## ACTUATOR LIFT



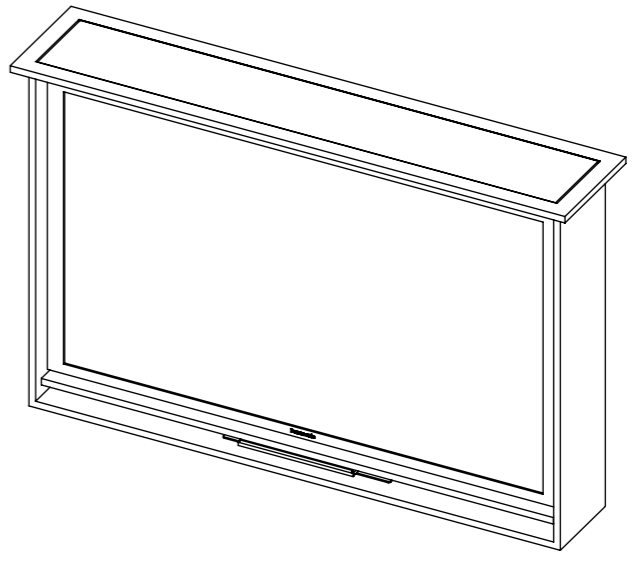
SPECIFICATION	MEASUREMENTS
Product Dimensions	500mm (19.7") x 743mm (29.3") x 230mm (9.0")
Maximum Weight Capacity	40Kg (88lb)
Screen Size (approx)	50-65" (approx)
Maximum Screen Height	930mm (36.5")
Maximum Elevation	965mm (38")
Product Weight	30Kg (66lb)
Lid Types Available	Standard - Push Flap, Optional - Fixed Flap
Movement Type	Motorised
Packaging Dimensions	1110 x 870 x 320mm (43.70 x 34.25 x 12.59")
Shipping Weight	38Kg (84lb)
Power Supply Required	110V - 240V AC
Power Consumption Max.	200W
Power Consumption Standby	3W
Mounting Patterns Supported	VESA 600, 500, 400, 300, 200, 100 W x 400, 300, 200, 100 H
Control Options	IR Remote, RS232, Contact Closure
Product Options / Features	Specific B&O and Loewe mounts / adapters, Custom RAL paint finishes
Package Contents	Mechanism, IR remote control
Marine Suitable	No

# AL965 ACTUATOR LIFT

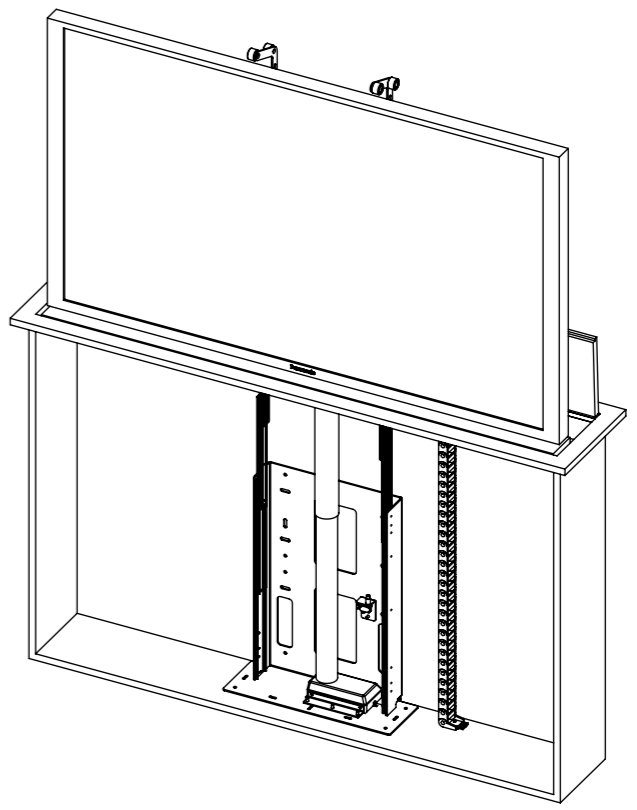
## LIFT DIMENSIONS



**Closed:**



**Open:**

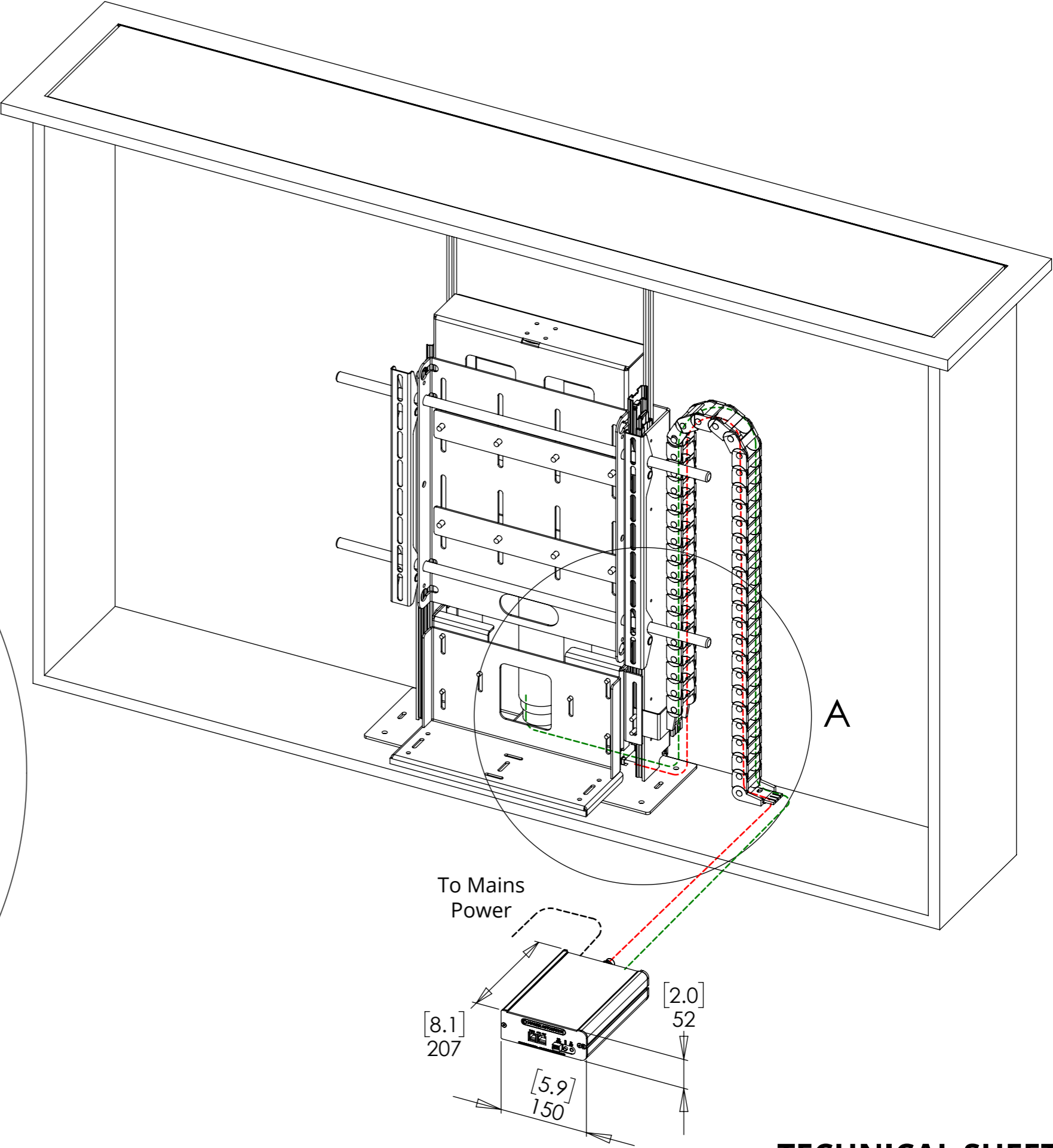
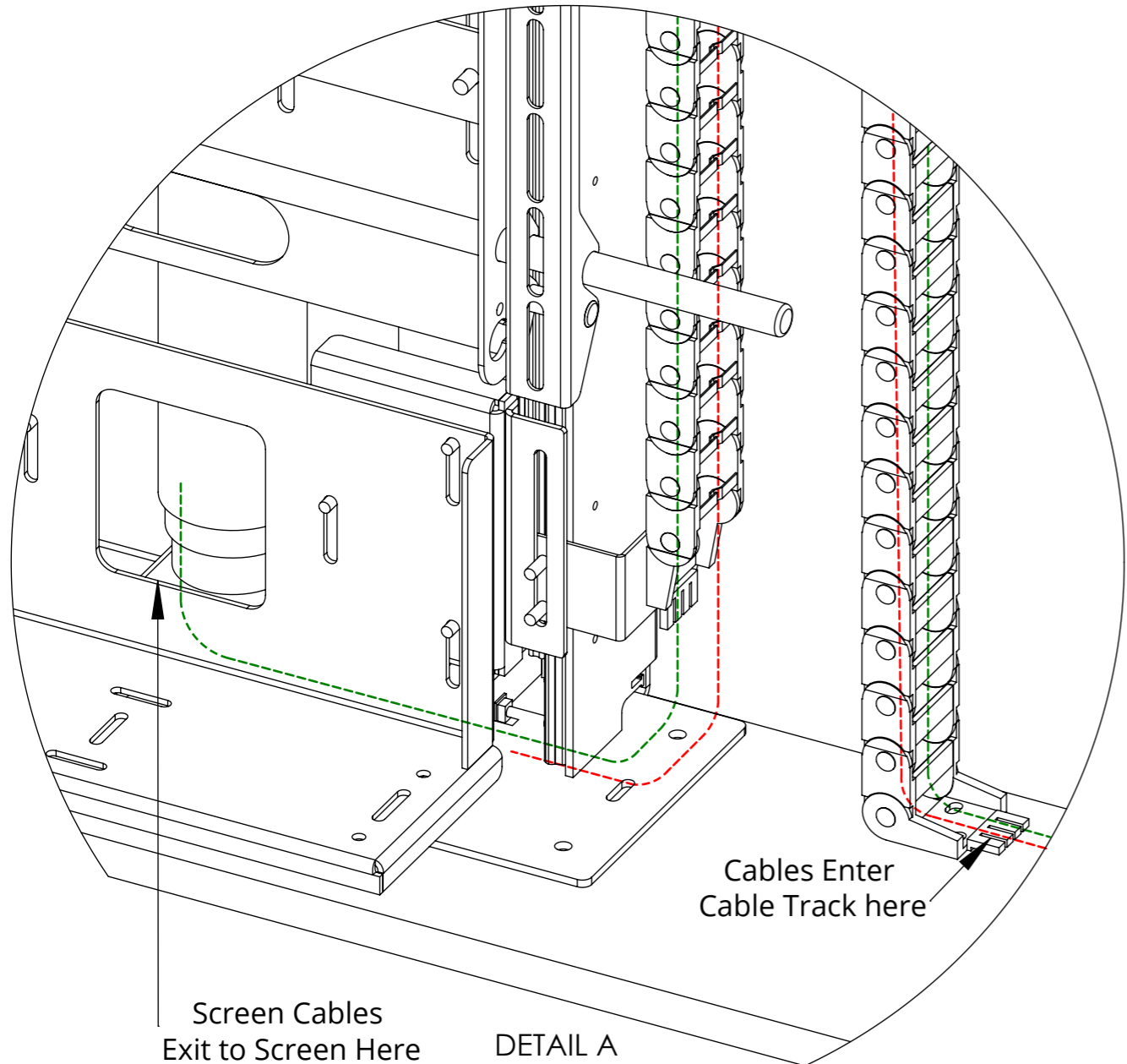


# AL965 ACTUATOR LIFT

## CABLE MANAGEMENT

The AL965's mounting allows for cables from the screen to be fed through the intergrated cable management. This allows the cables to be stowed tidily within the mechanism.

The Mechanism Cable should be routed to the provided control box through a hole in the cabinet. This should be stored in an easily accessible location.

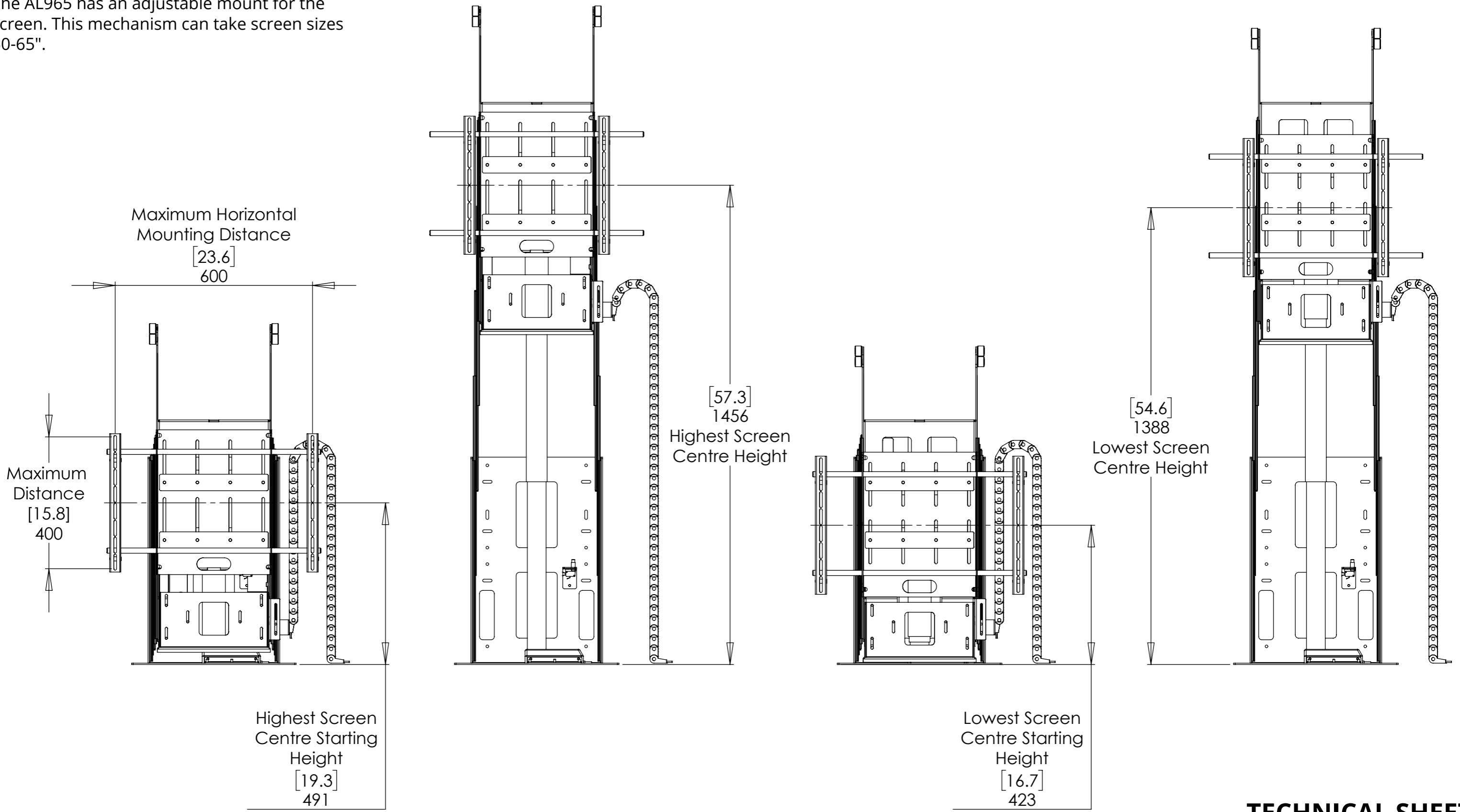


# AL965 ACTUATOR LIFT



## MOUNTING INFORMATION

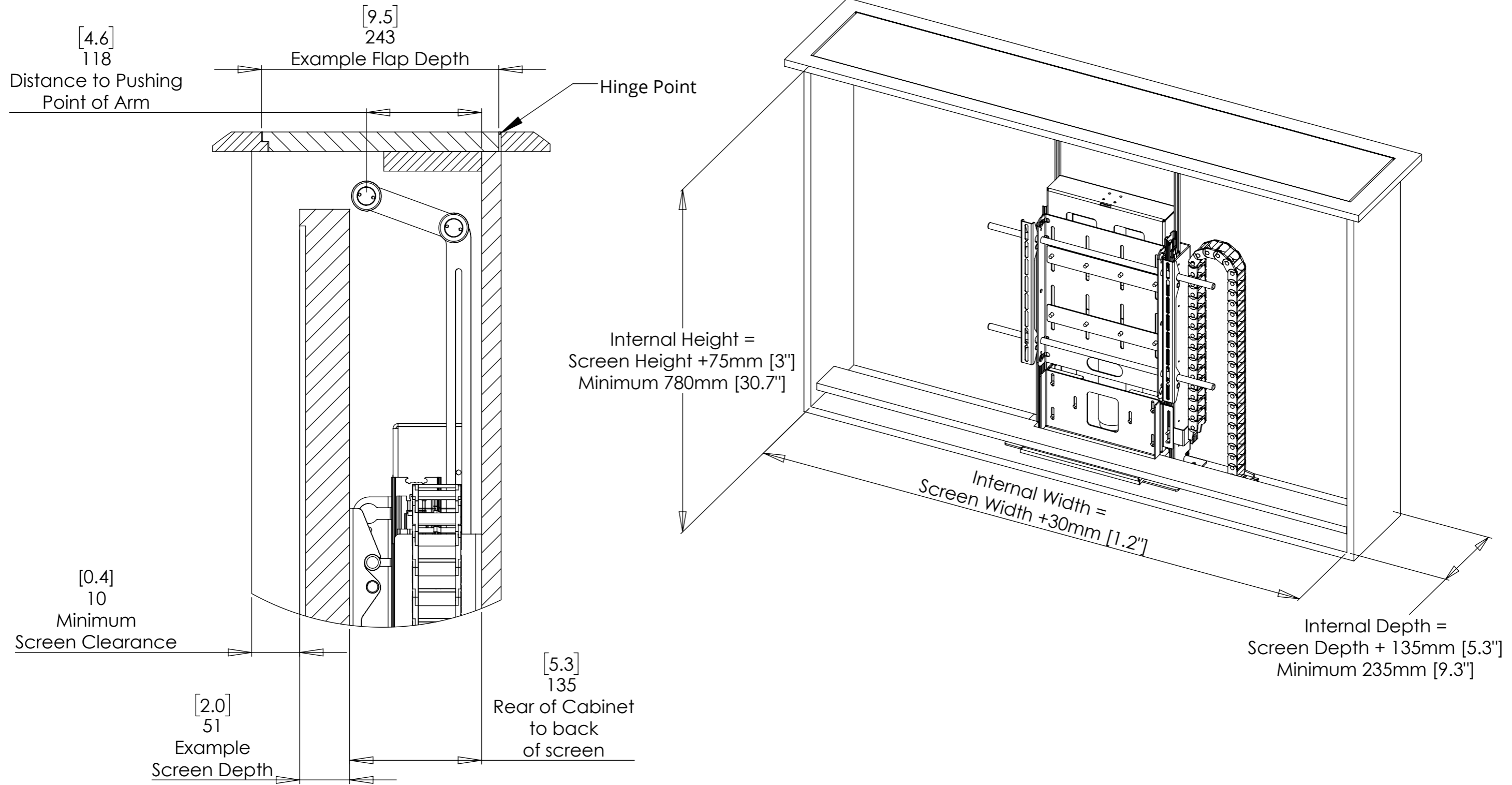
The AL965 has an adjustable mount for the screen. This mechanism can take screen sizes 50-65".



# AL965 ACTUATOR LIFT

## CABINET DIMENSIONS

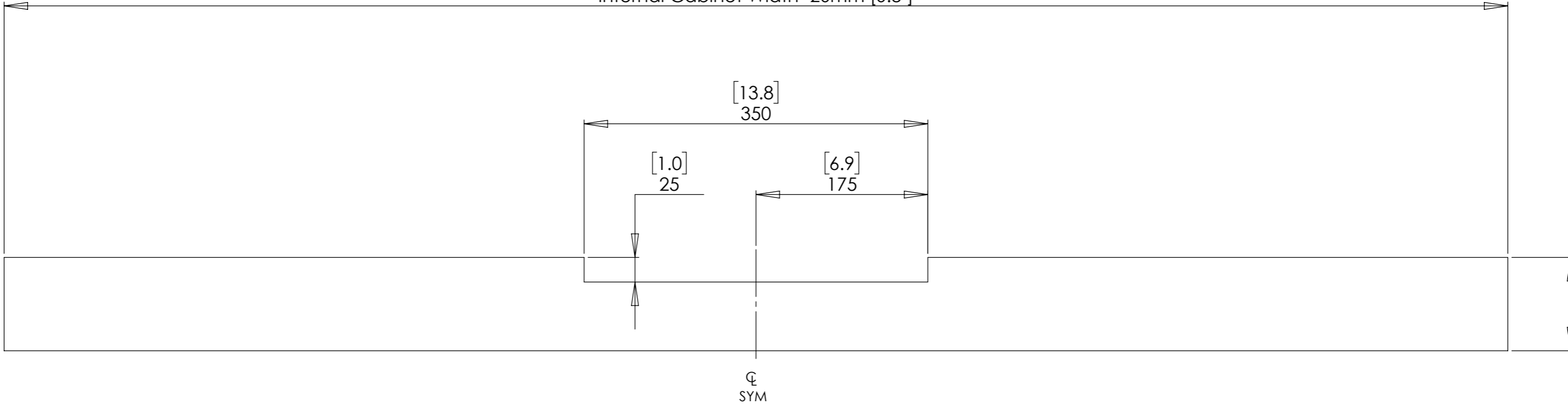
Example shown for a screen of depth 51mm/2".



# AL965 ACTUATOR LIFT

## BASE DIMENSIONS

Base Panel Width =  
Internal Cabinet Width -20mm [0.8"]



Base Panel Depth =  
Internal Cabinet Depth  
-150mm [5.9"]

