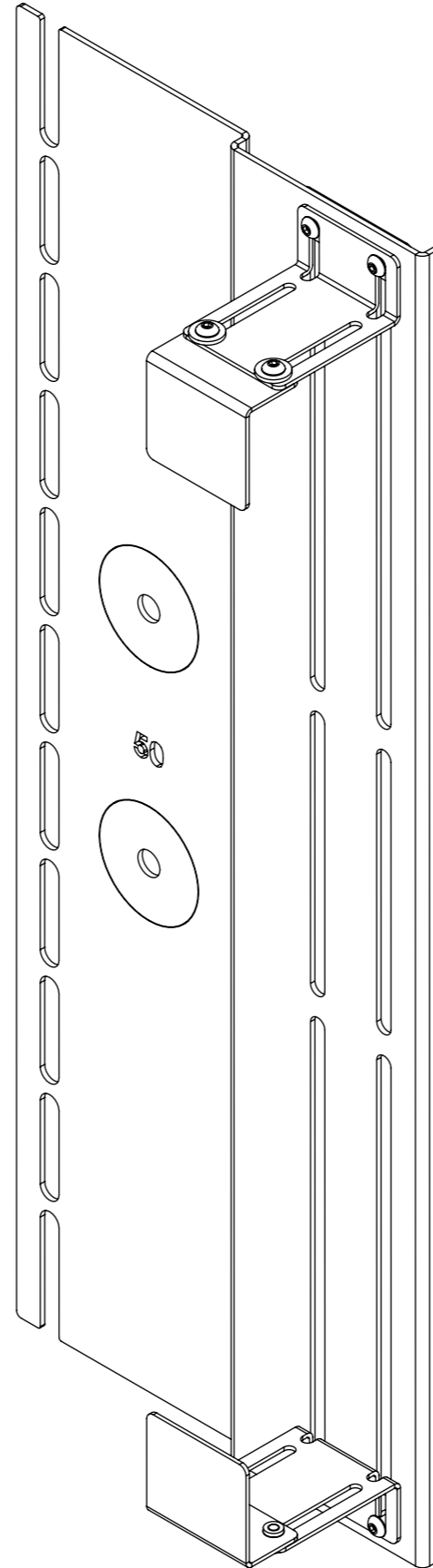


# AM2

## ACCESSORY MOUNT 2



future automation



# AM2

## ACCESSORY MOUNT 2



future automation

SPECIFICATION	MEASUREMENTS
Product Dimensions WxHxD	192mm (7.6") x 515mm (20.3") x 102mm (3.7") - MAX DEPTH
Maximum Accessory Size HxD	470mm (18.5") x 90mm (3.5")
Minimum Accessory Depth	27mm (1.1")
Product Weight	1.7Kg (3.7lb)
Packaging Dimensions WxHxD	200mm (7.9") x 530mm (20.9") x 40mm (1.6")
Package Contents	Mount Plate x1, Slide Plates x2, Clamp Plates Std Size x2, Clamp Plate Lrg x2, Nut Plate x2, Screws & Washers
Marine Suitable	Yes (Indoors)

# AM2

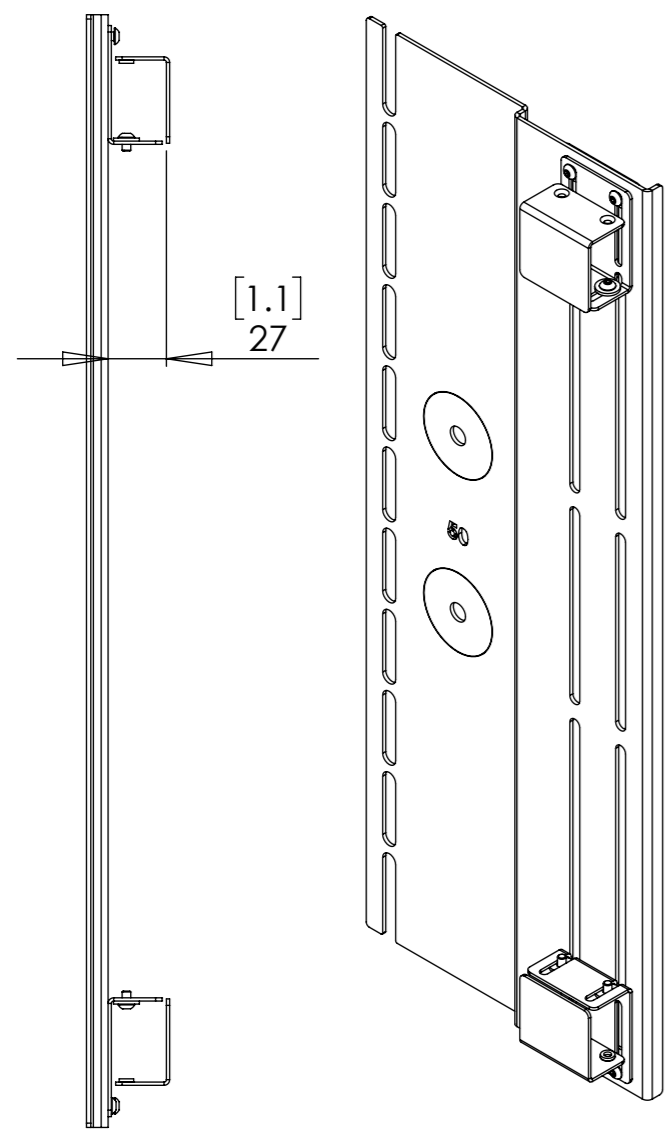
## ACCESSORY MOUNT 2

### CONFIGURATIONS

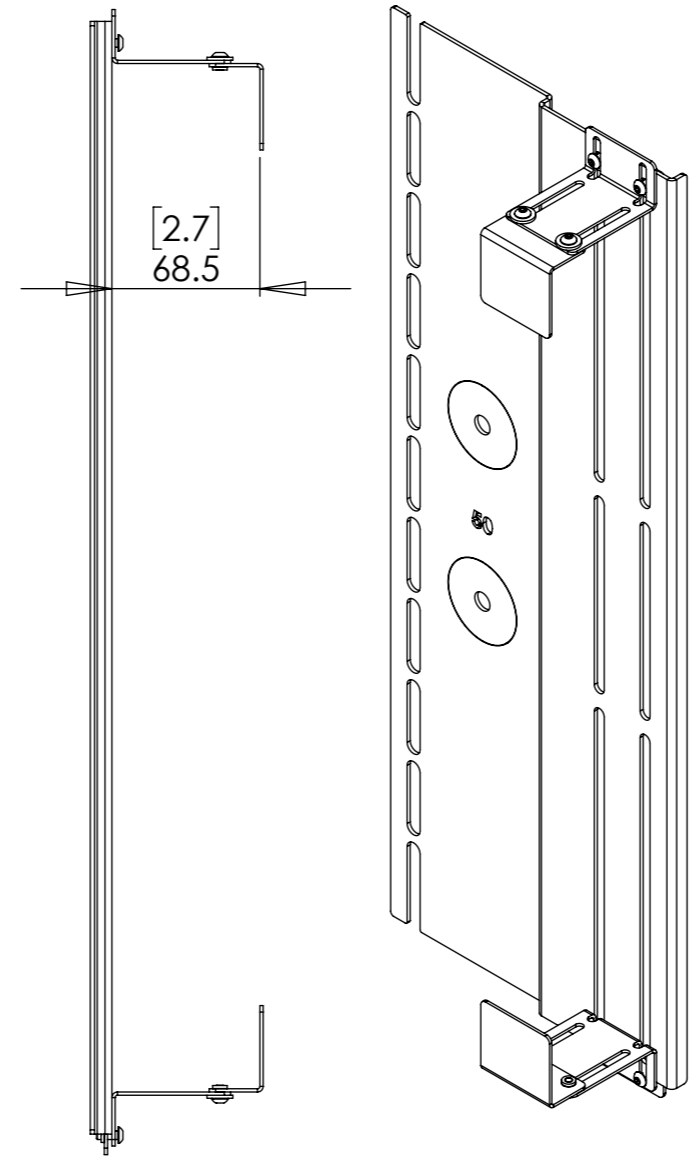
The AM2 comes with a two slide plates and four clamp plates, in two size variations. The smaller clamp plate caters for accessories that have a depth of 27mm [1.1"] to 68mm [2.7"]. The larger slide plate caters for accessories with a depth of 55mm [2.2"] to 90mm [3.5"].

Accessories between 30-55mm depth require the slide plate to be rotated to achieve thinner depth - shown below.

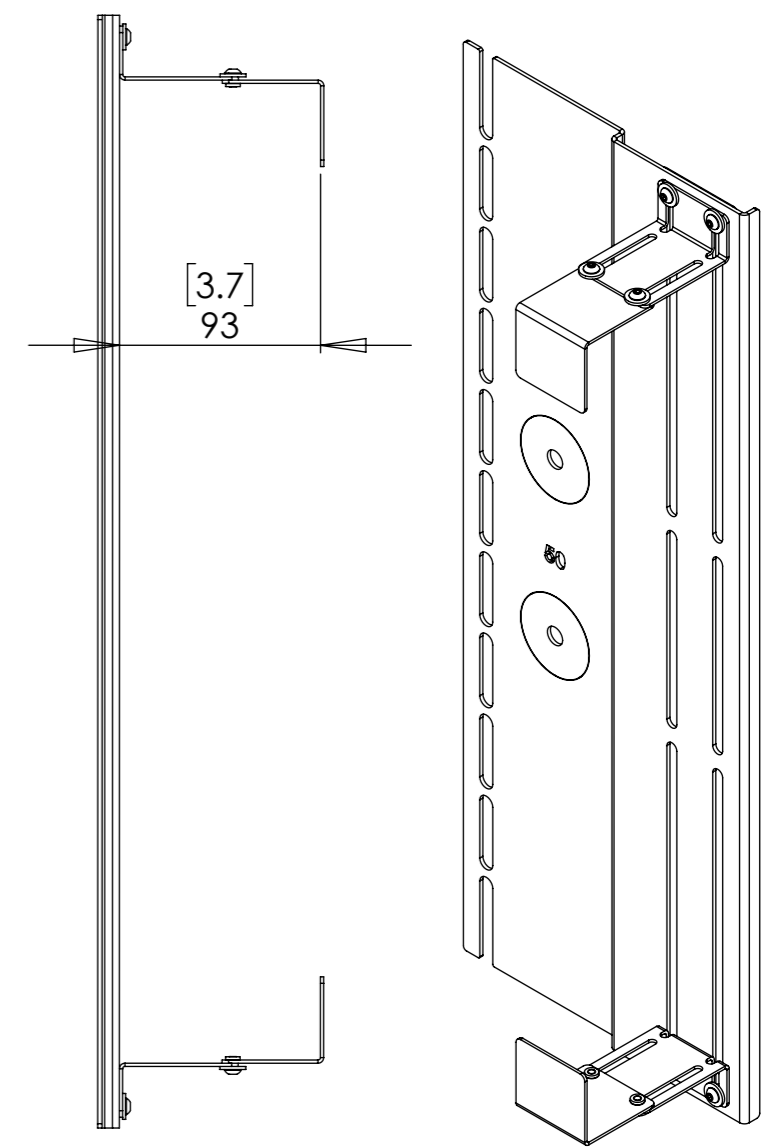
MIN DEPTH - CLAMP PLATE ROTATED



MAX DEPTH - SMALL SLIDE PLATE



MAX DEPTH- LARGE SLIDE PLATE

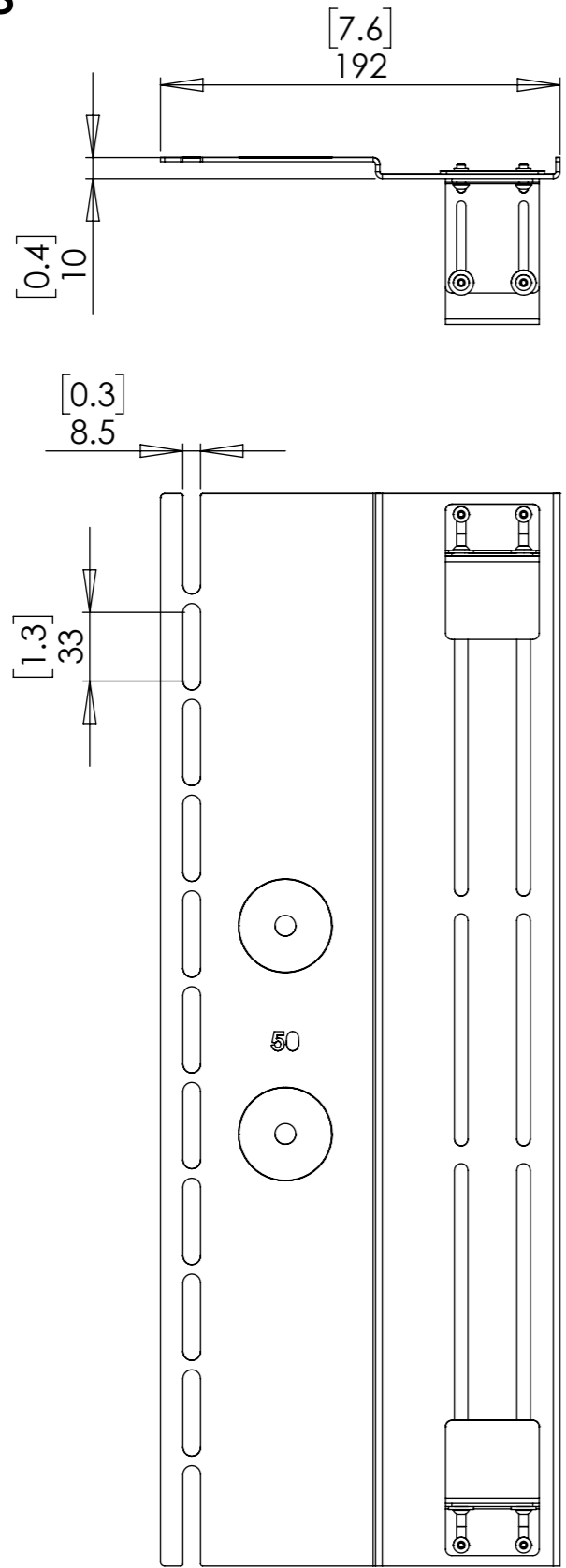


# AM2

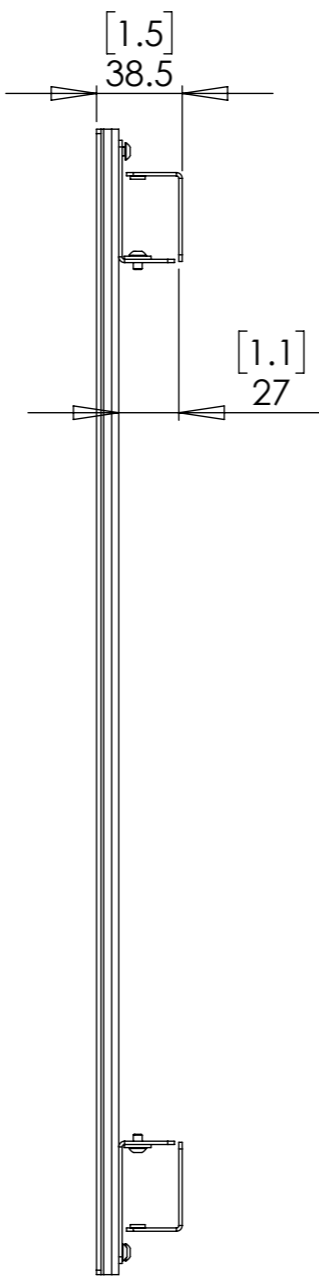
## ACCESSORY MOUNT 2



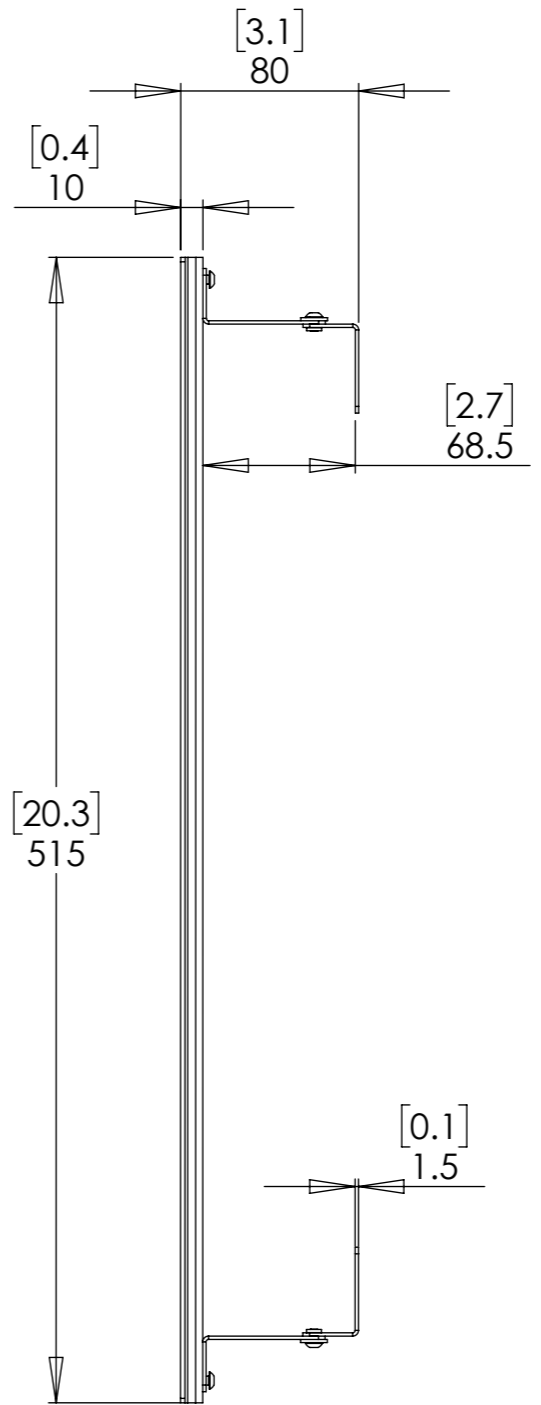
### DIMENSIONS



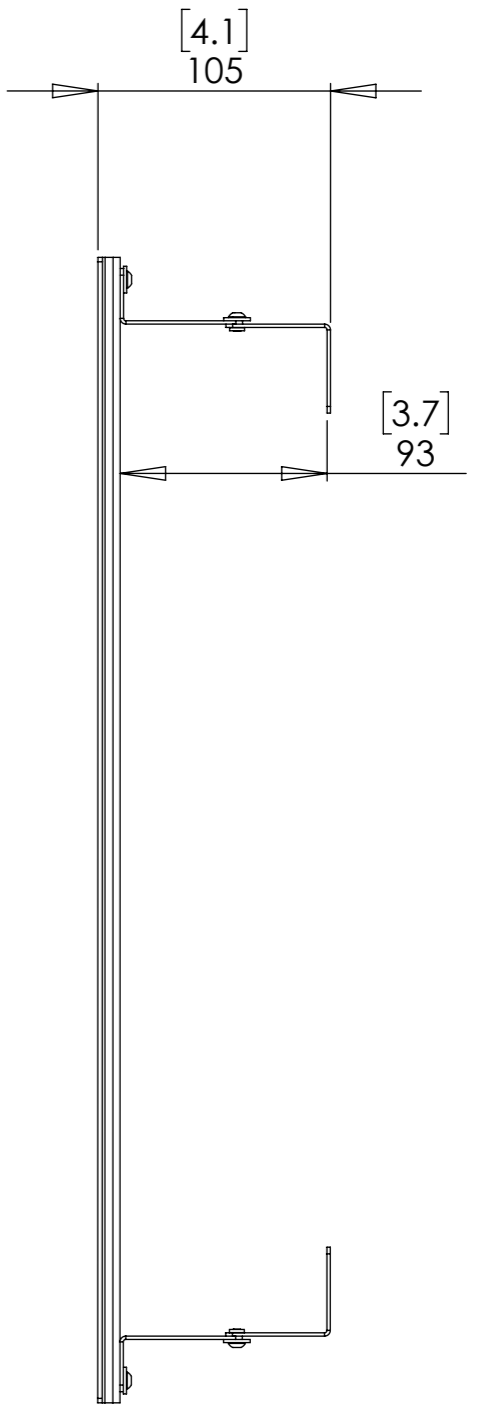
MIN DEPTH



DEFAULT DEPTH

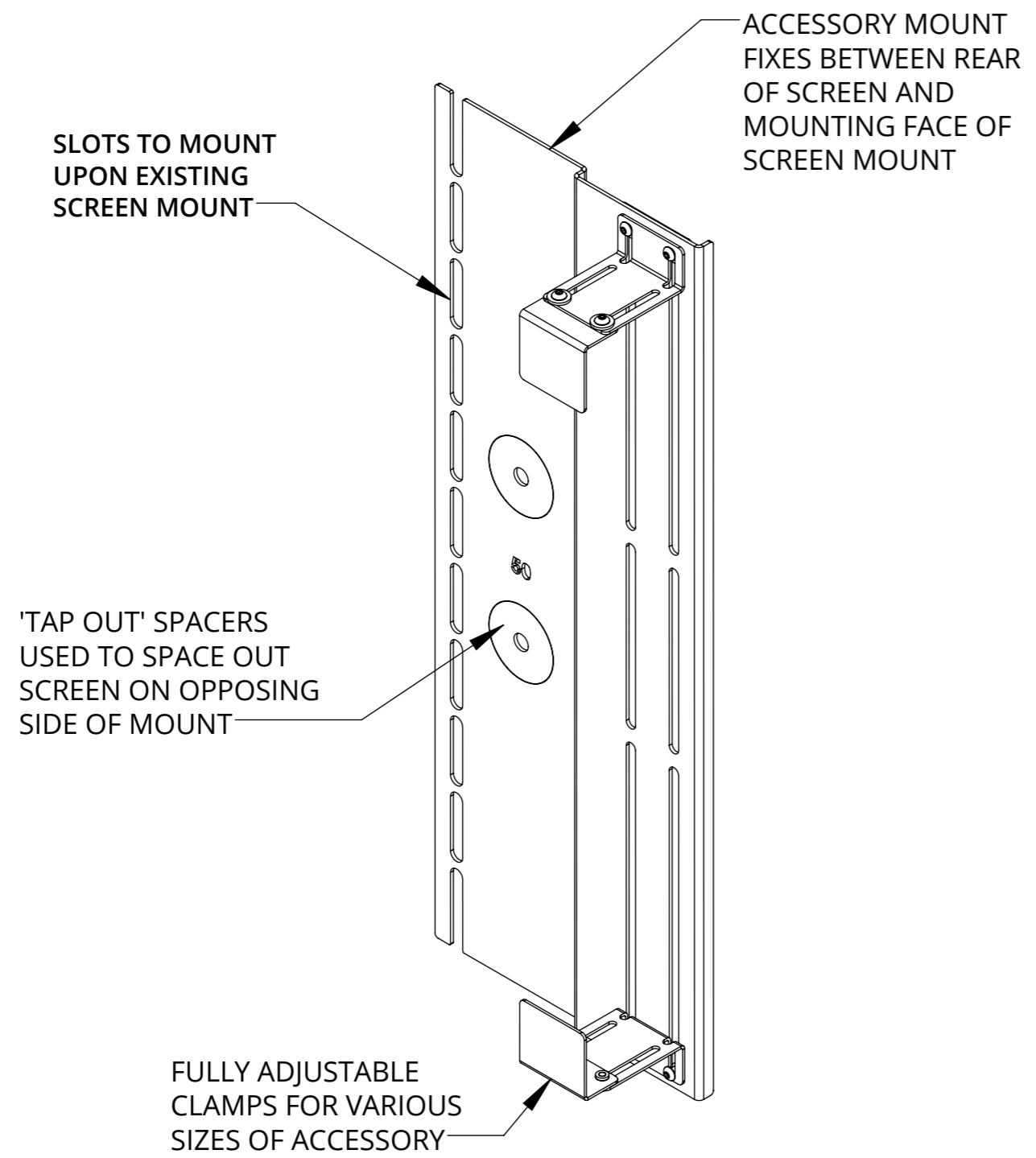


MAX DEPTH

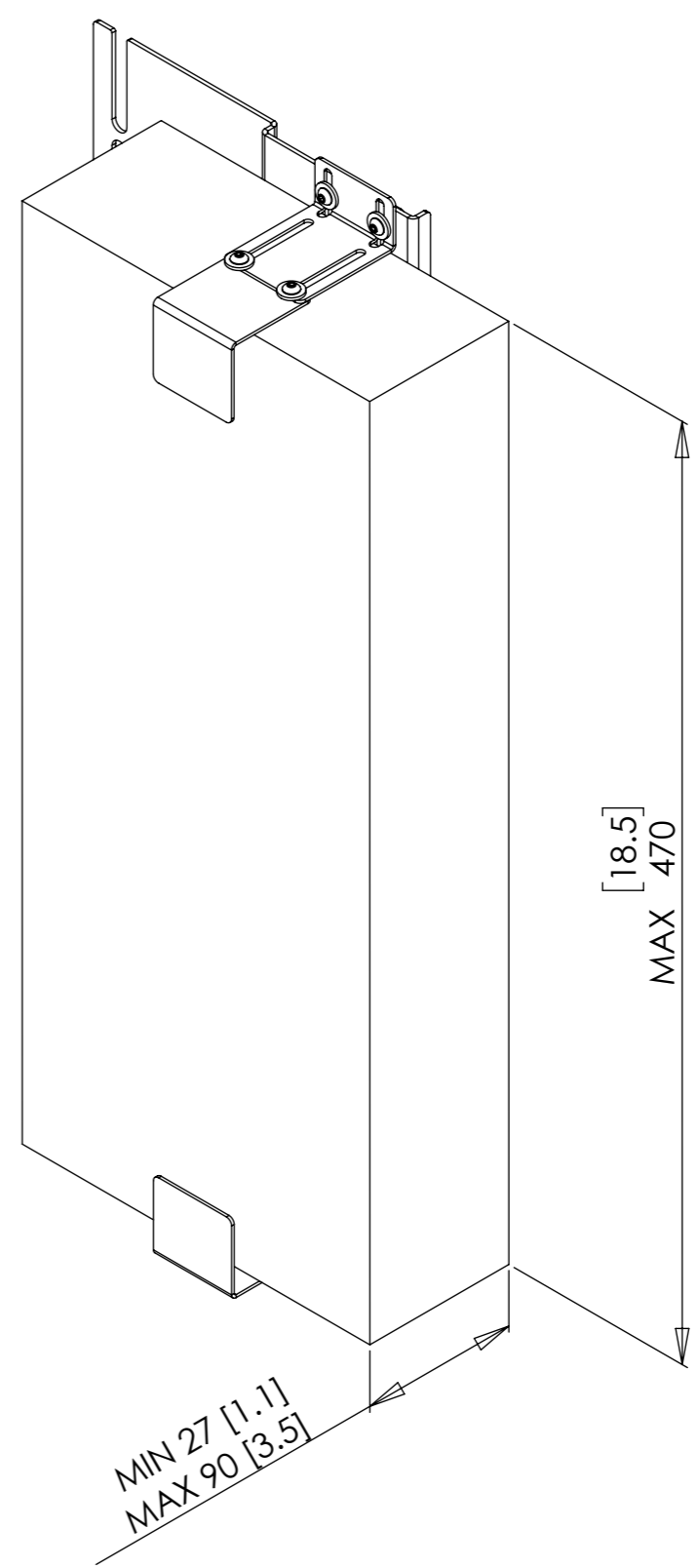


# AM2 ACCESSORY MOUNT 2

## DETAILS AND ACCESSORY DIMENSIONS



## SUITABLE ACCESSORY DIMENSIONS

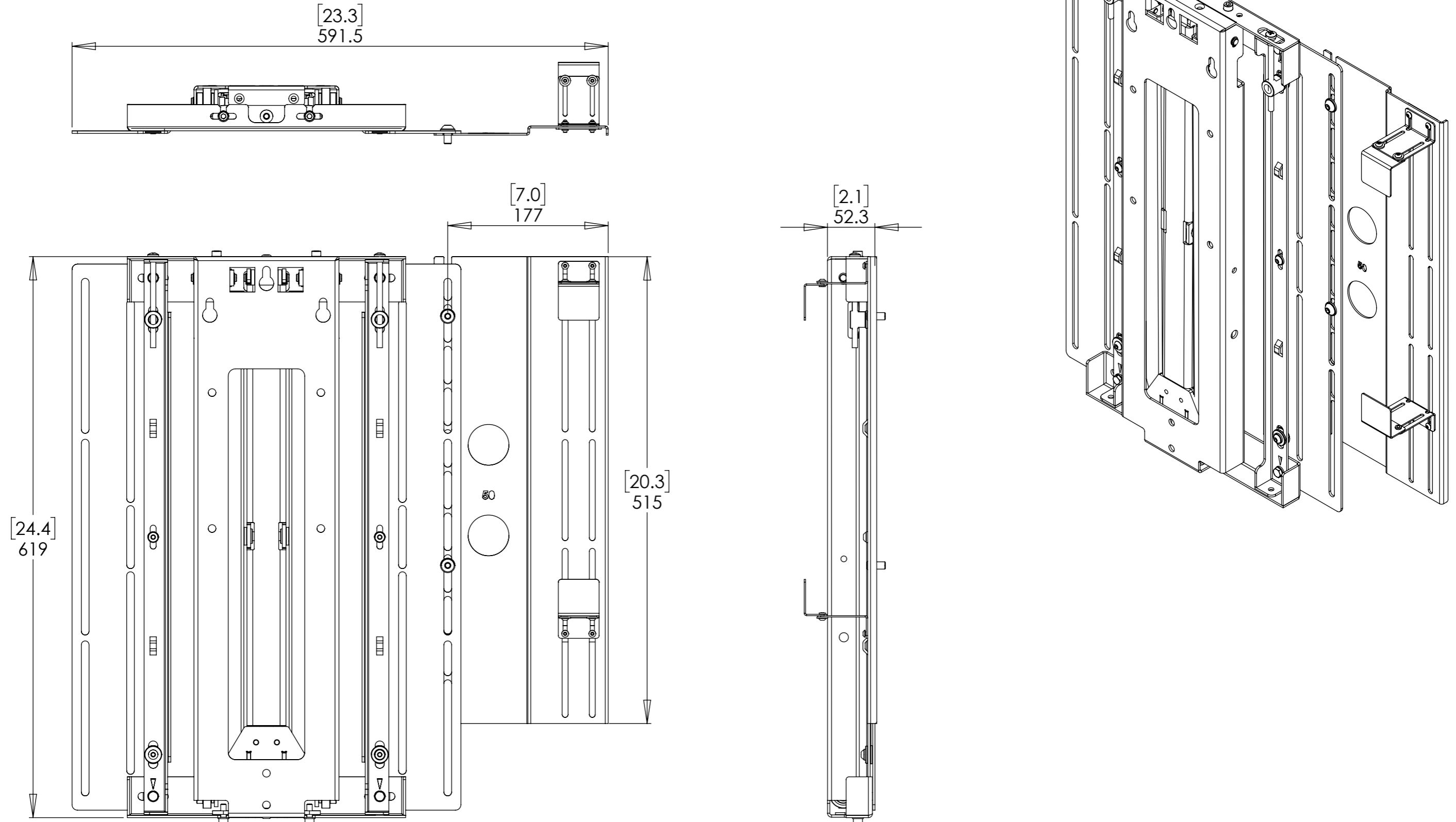


# AM2 ACCESSORY MOUNT 2



future automation

## DETAILS AND DIMENSIONS WITH PS BRACKET

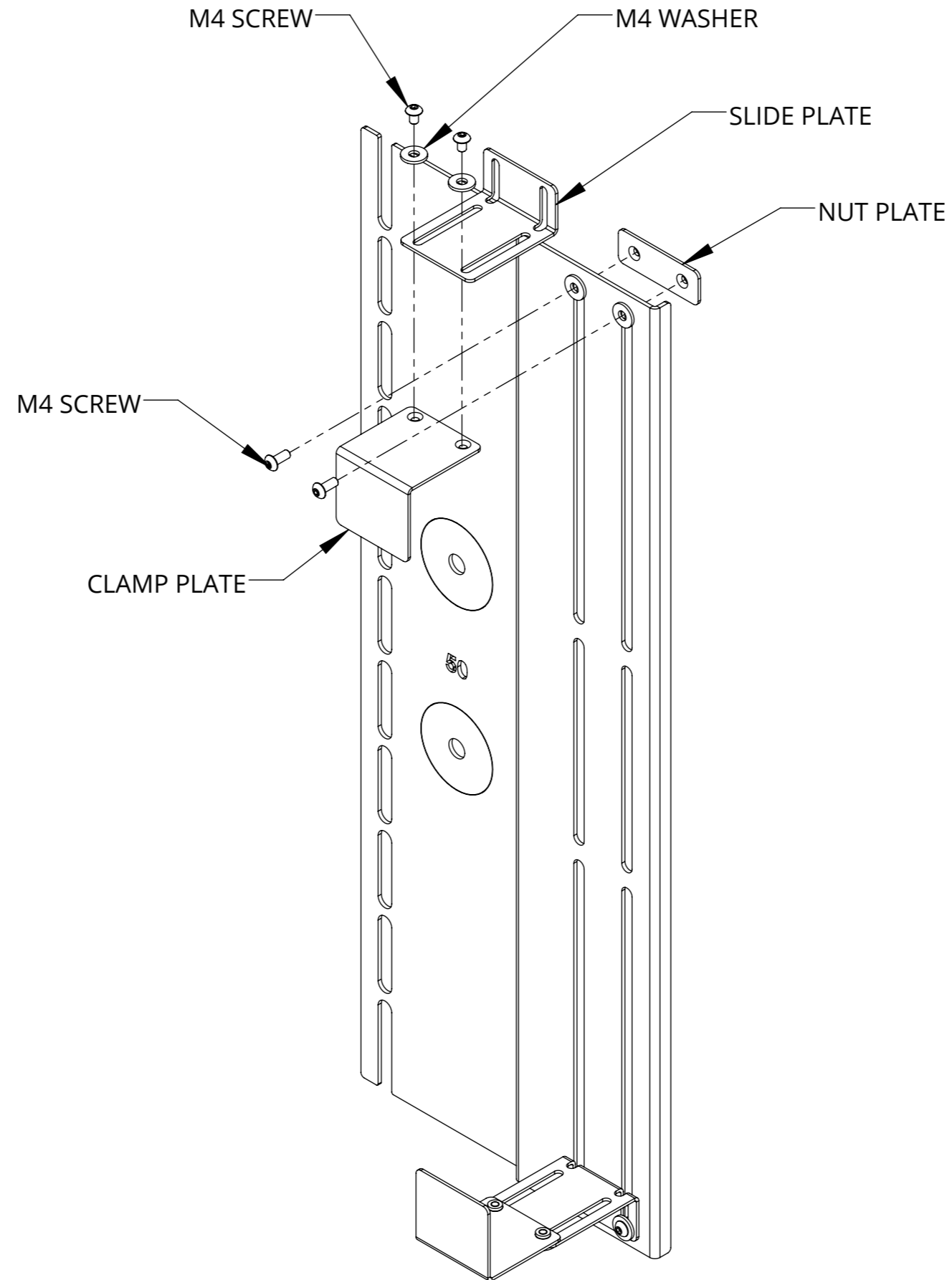


# AM2 ACCESSORY MOUNT 2



future automation

## SUB ASSEMBLY



# AM2 ACCESSORY MOUNT 2

## FITTING

