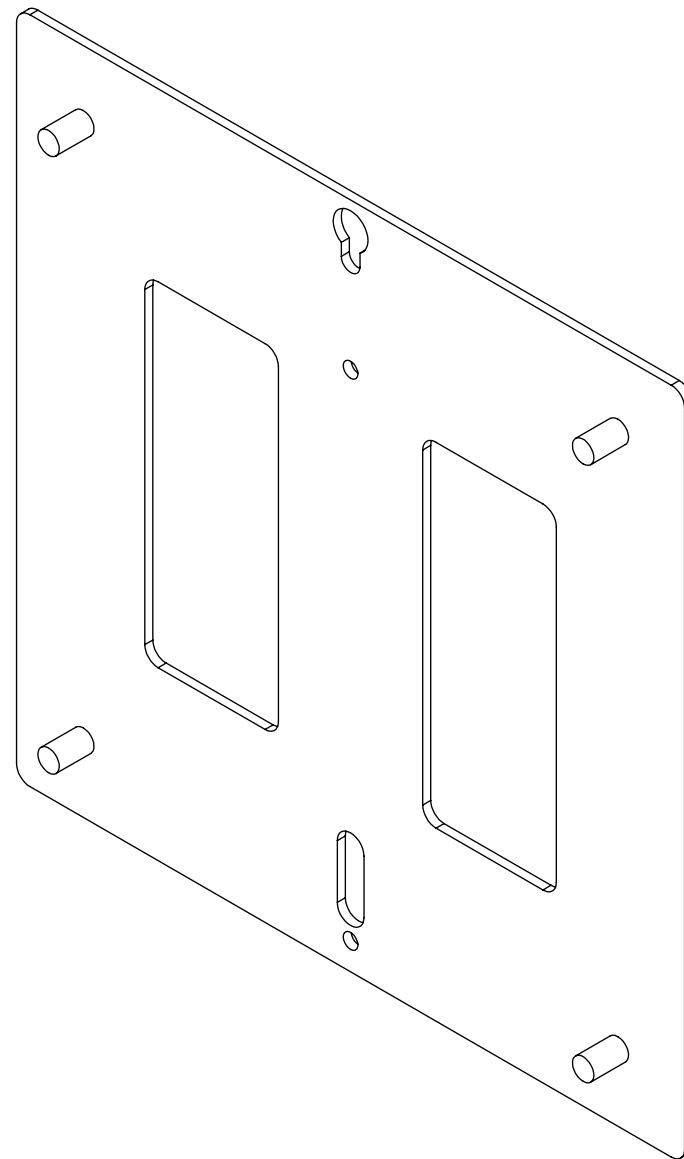


## DESIGN HIGHLIGHTS

- Slim Design - Adding just 3mm [0.12] to the total depth of the bracket

## OPTIONS

- Any RAL colour available



## FUNCTION

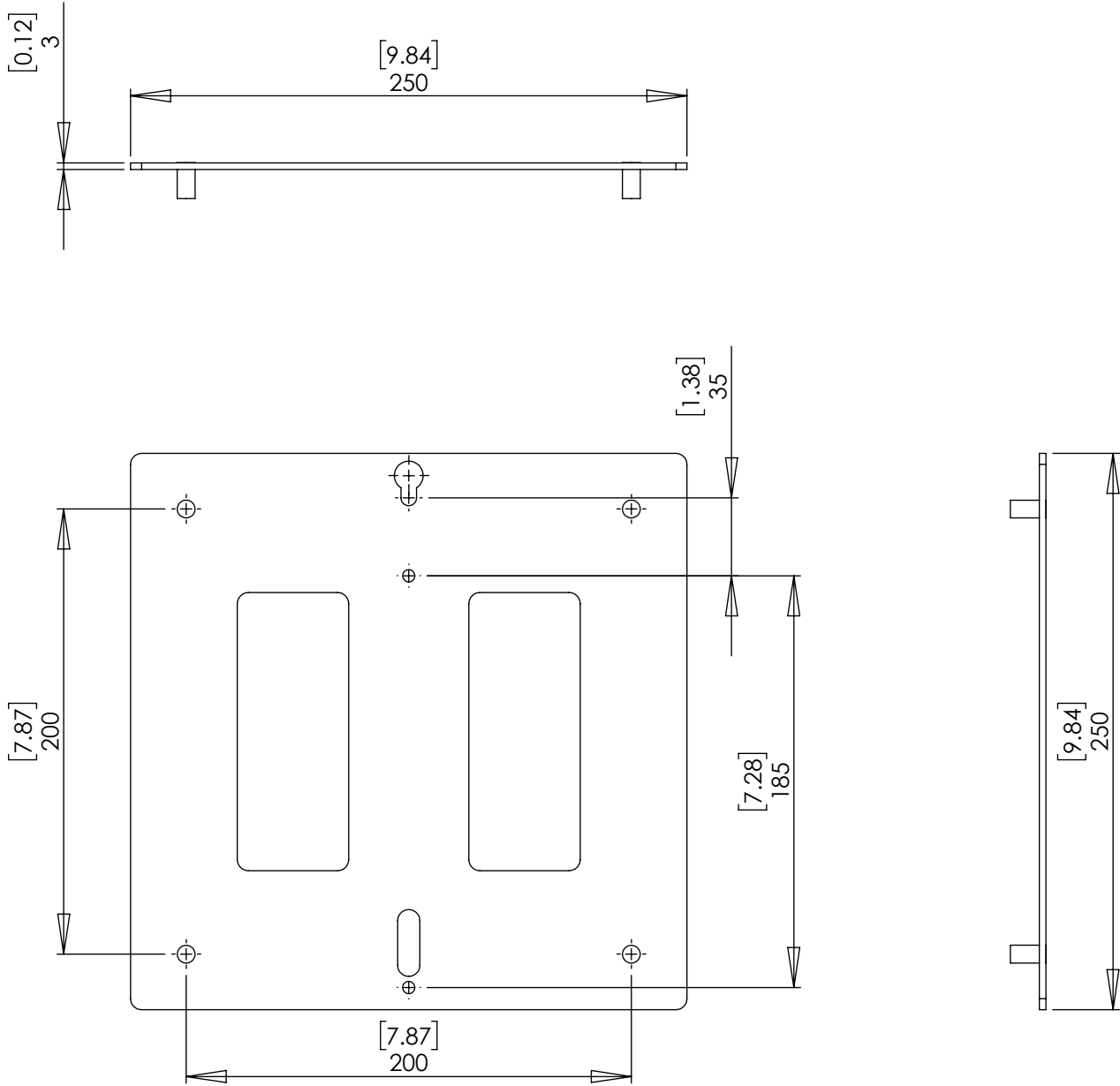
Adapter plate to allow specified B&O screens to be fitted to any standard VESA 200x200 mount.

## SUITABILITY

Suitable for the following B&O screens:

- B&O Horizon 40"
- B&O Horizon 48"

### GENERAL DIMENSIONS



### INSTALLATION

1. Fix Adapter Plate to rear of Horizon Screen using 2 x M5 bolts provided.
2. Fix Screen + Adapter Plate to VESA 200 mount slots on standard bracket and secure with 4 x M8 nuts provided.

