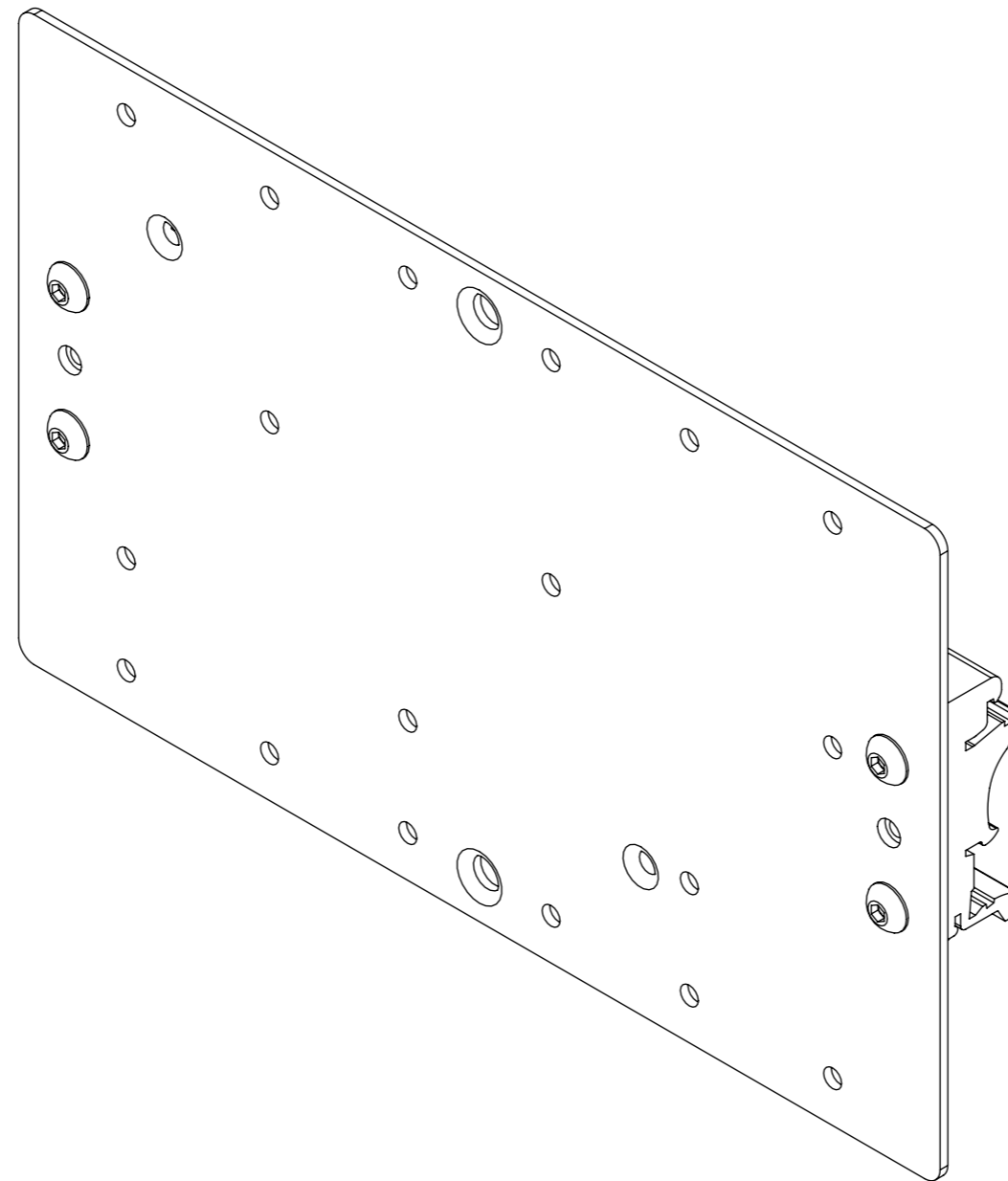


AP-DIN

ADAPTOR PLATE FOR DIN RAIL



future automation



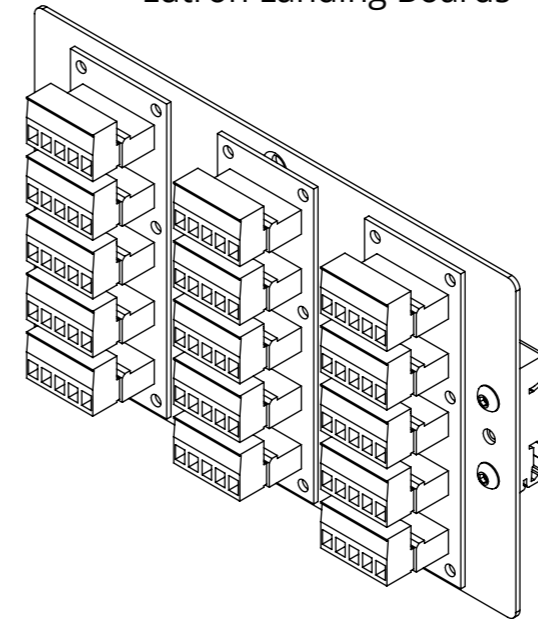
AP-DIN ADAPTOR PLATE FOR DIN RAIL



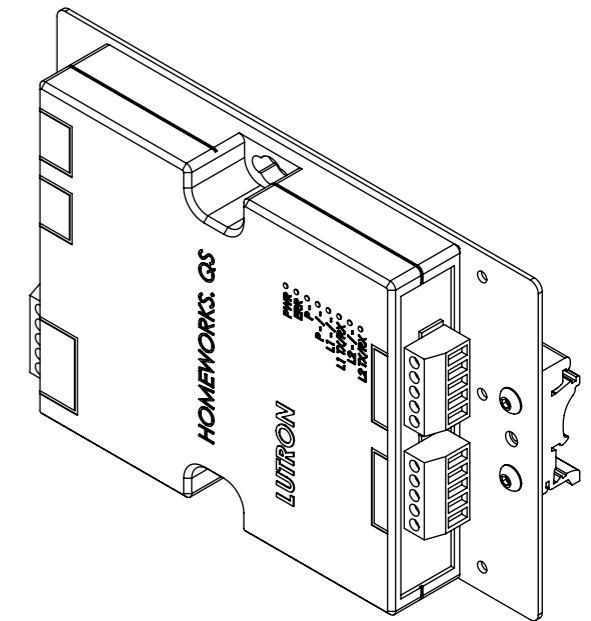
future automation

Application Examples

Future Automation
Lutron Landing Boards



Lutron QSE-IO/CI-DMX/HQP6

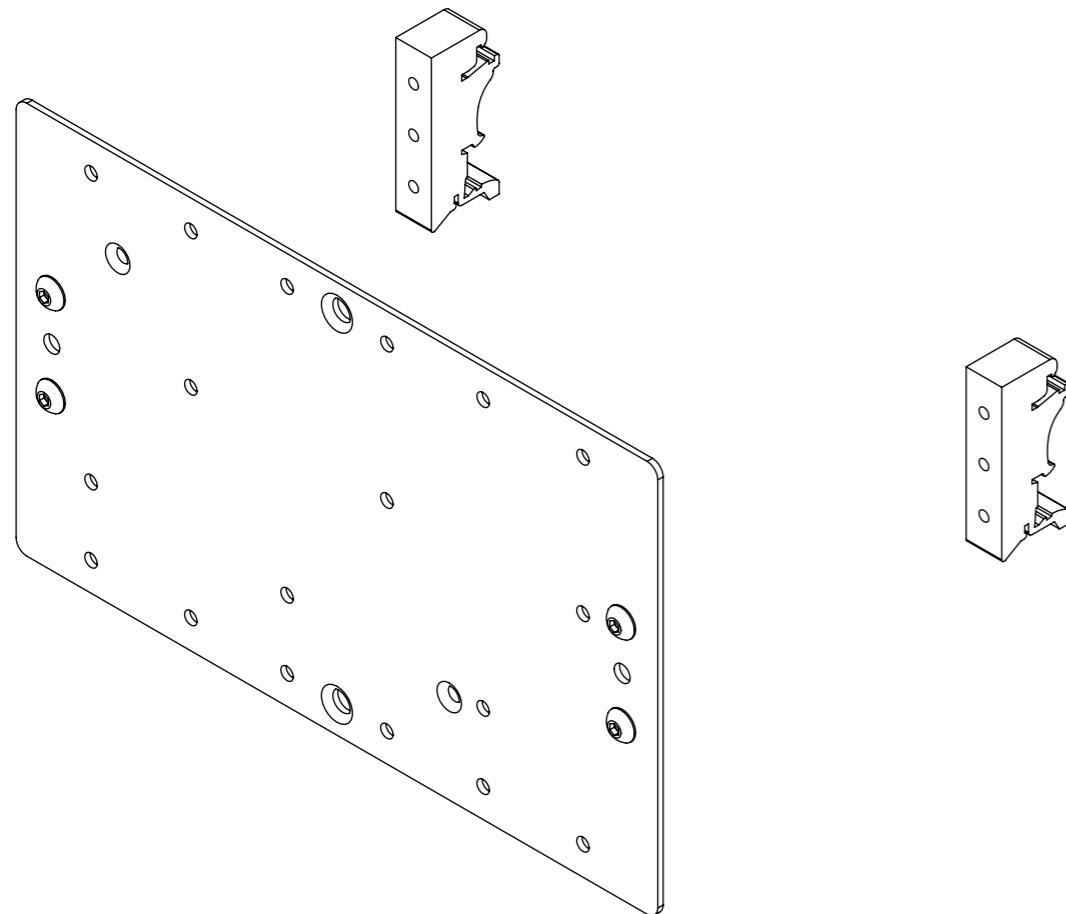


Allows simple and easy mounting of the following products:

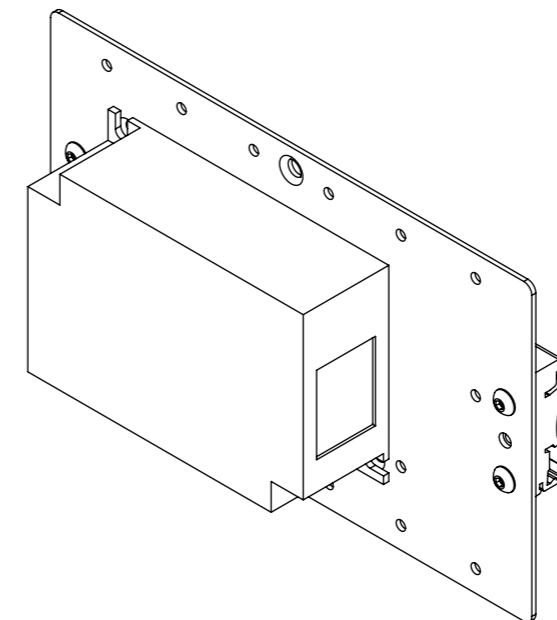
- Lutron QSE-IO Control Interface
- Lutron QSE-CI-DMX Control Interface
- Lutron HQP6 Processor
- Lutron QSPS-Px-35V Power Supply

Kit Contents:

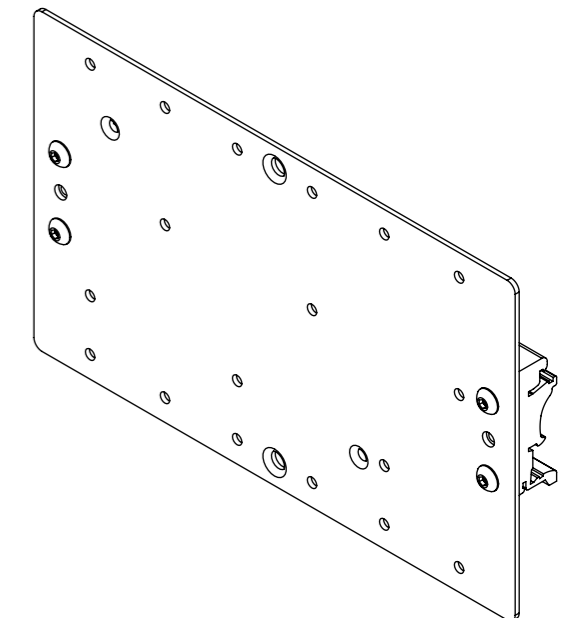
- 2 x DIN Rail Adapters
- 1 x Mount Plate
- Fasteners



Lutron QSPS-Px-35V PSU



General cable management / mounting surface

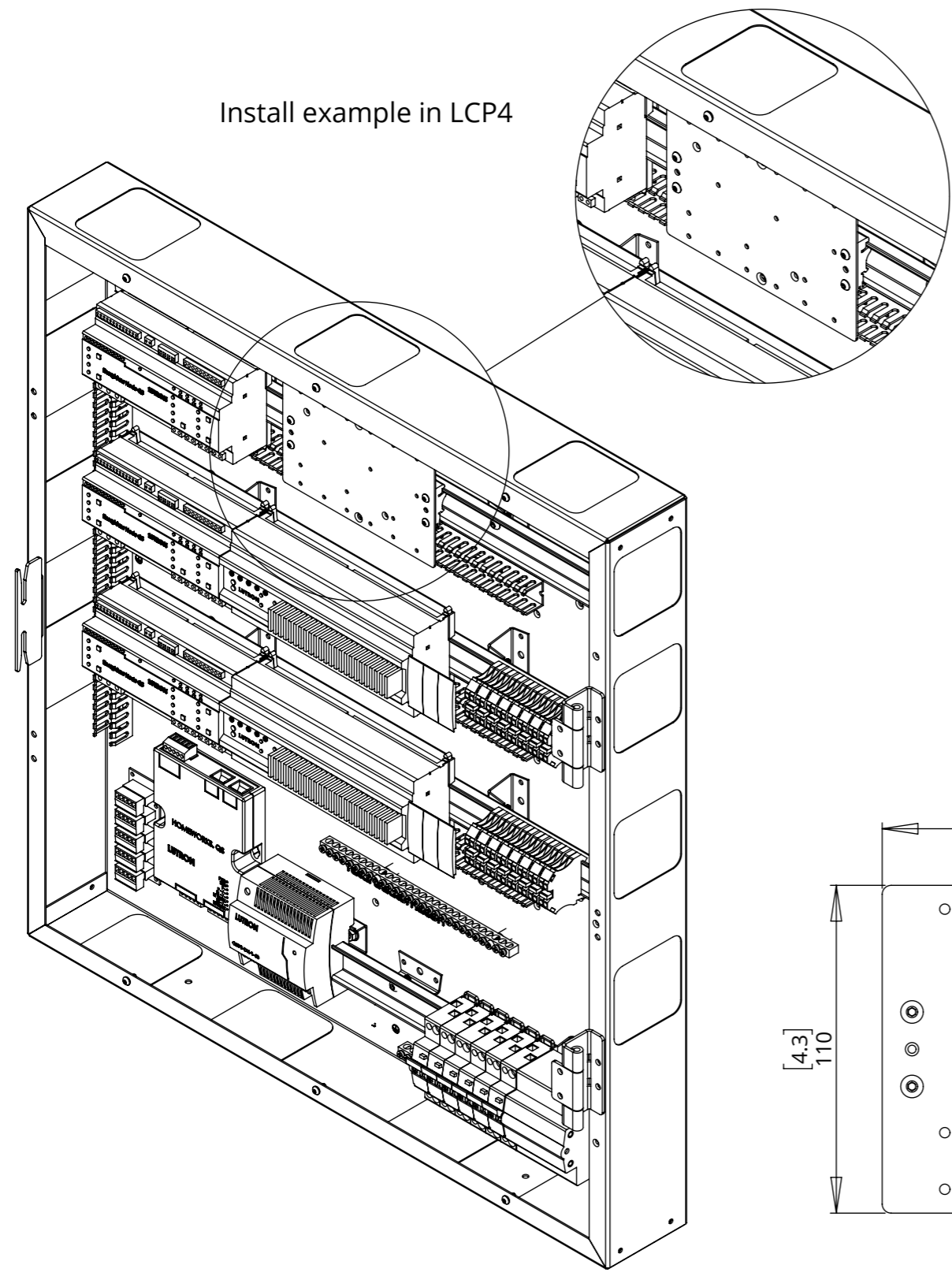


AP-DIN

ADAPTOR PLATE FOR DIN RAIL

INSTALL OVERVIEW

Install example in LCP4



Note:
When installing LPA-MK,
LCP Module Trim Plates
may be required to blank
off opening in cover panel

