

# BS-PS-M BALL AND SOCKET KIT

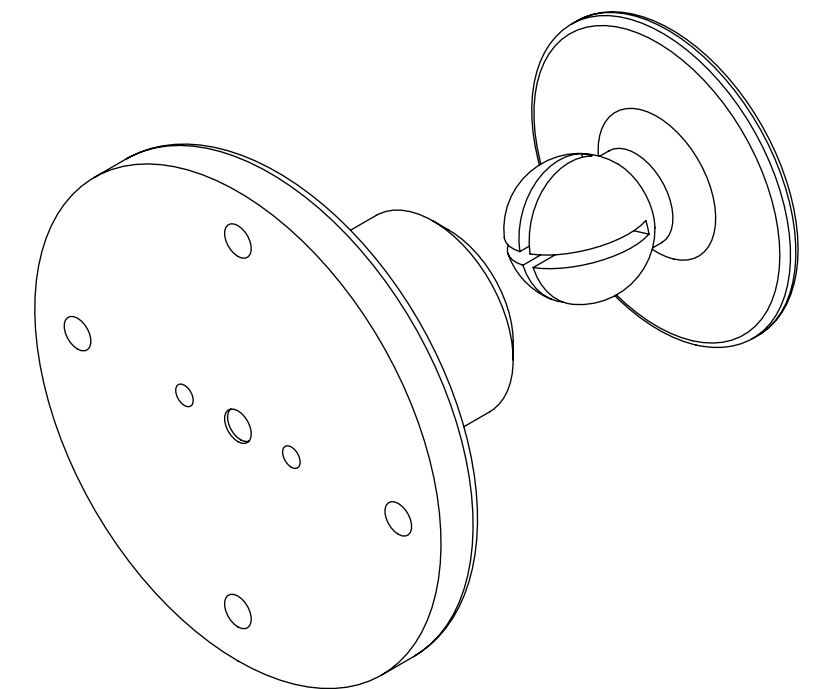
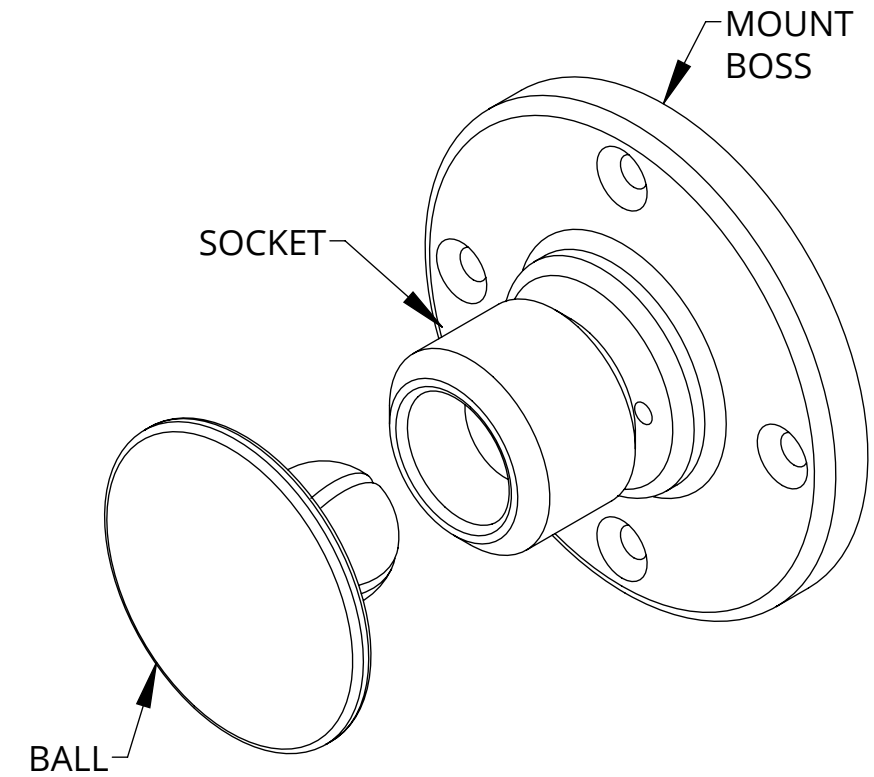
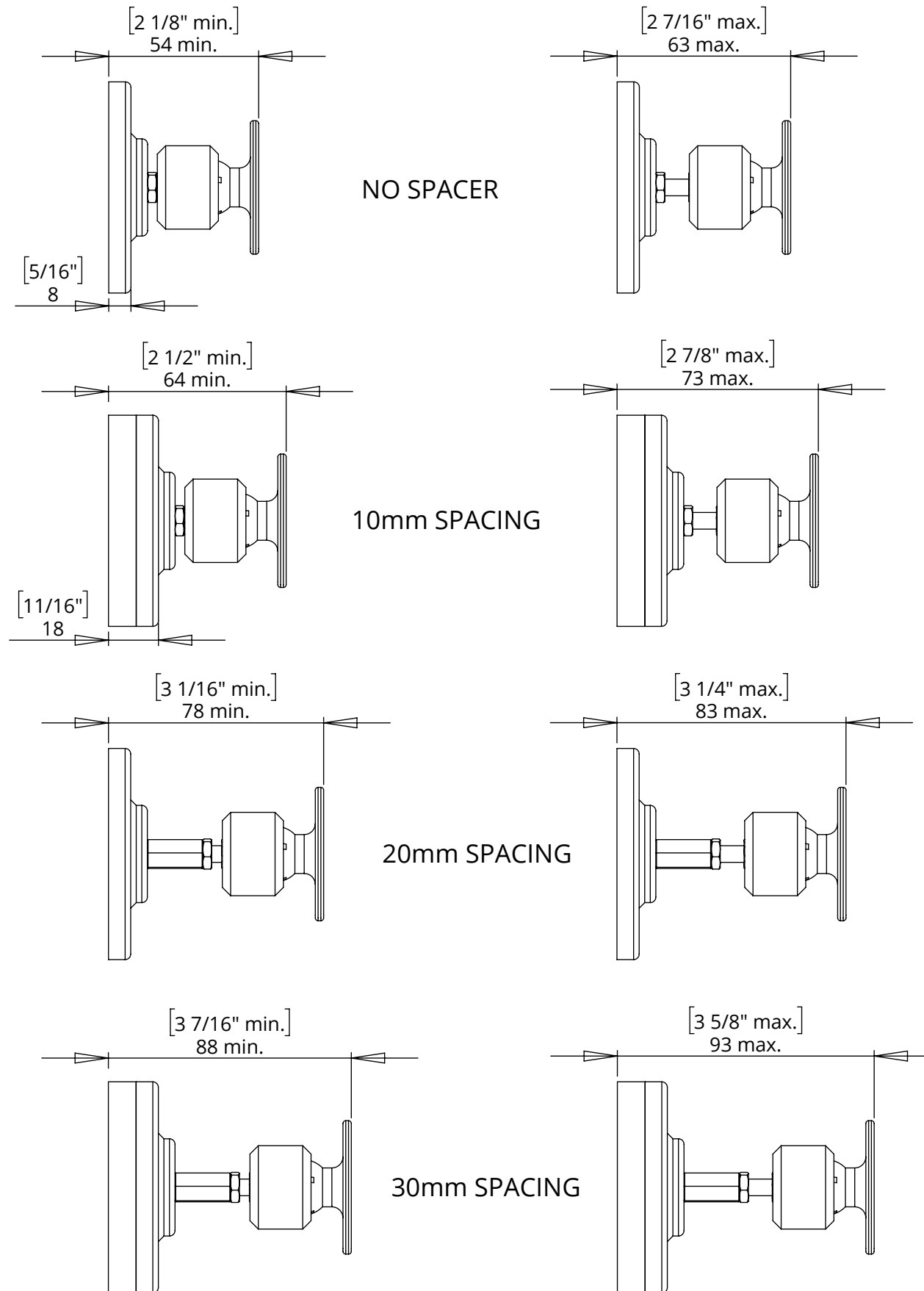
## BALL & SOCKET CATCH

4 x Ball and Socket Catches to be used with the marine PS bracket to retain the screen edges

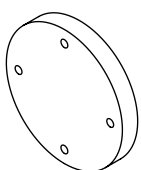
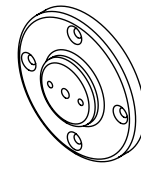
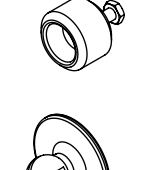
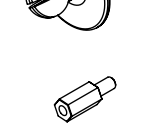
Mount boss to be secured to the wall with countersunk fixings. Then the ball bonded to the screen with self adhesive velcro.

Sets of 20mm & 10mm Packers spacers provided.

To increase the adjustment range further the central bolt inside the socket can be changed for a different length M6 countersunk bolt (NOT PROVIDED)



### What's Included?

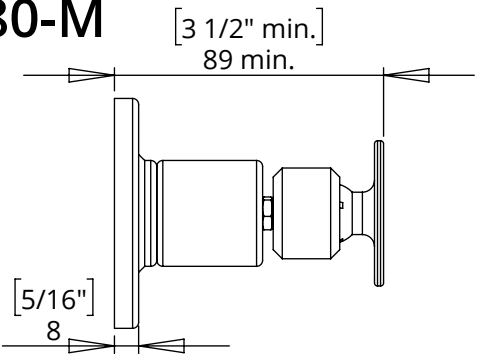
- 4 x 10mm Packer 
- 4 x Mount Boss 
- 4 x Socket 
- 4 x Ball 
- 4 x 20mm Spacer 

# BS-PS-M

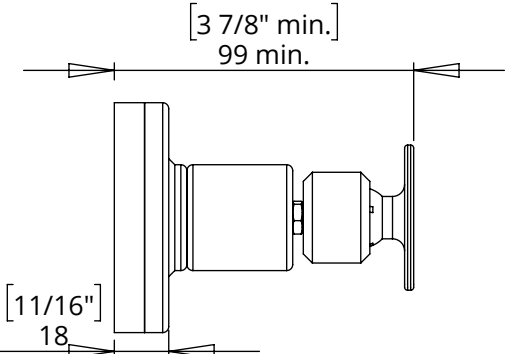
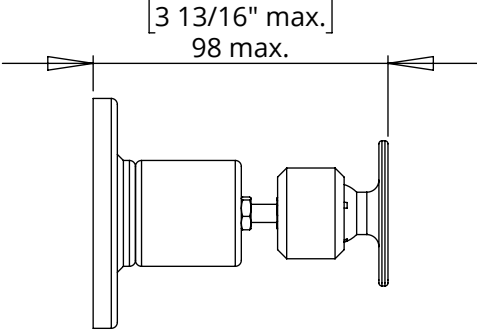
## BALL AND SOCKET KIT

### BALL & SOCKET CATCH - PS80-M

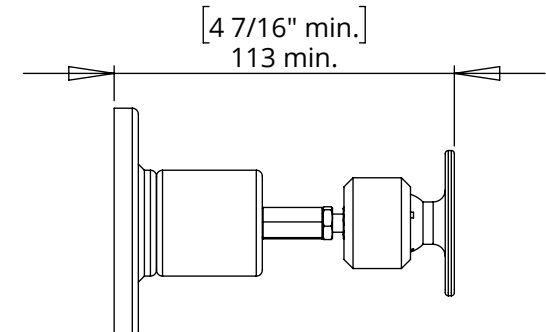
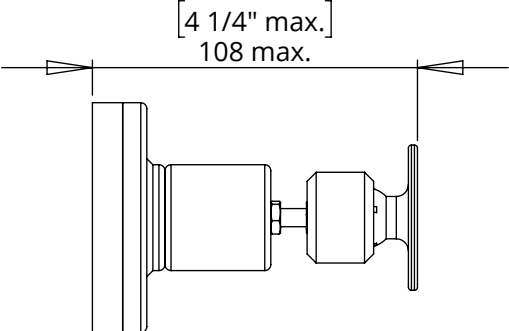
Extensions for the Mount Bosses are provided with the PS80-M to allow the Ball and Socket kit to function with the larger bracket.



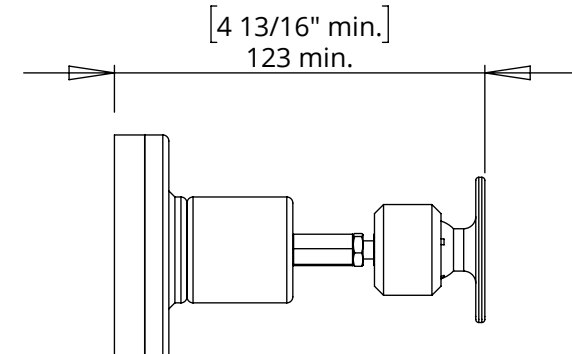
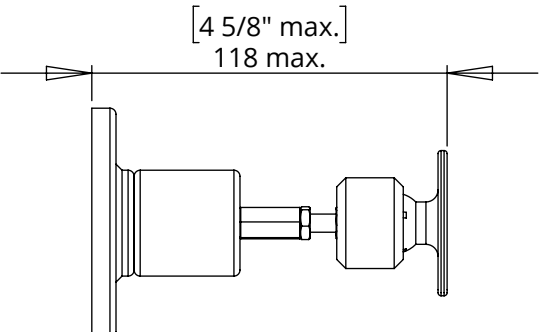
NO SPACER



10mm SPACING



20mm SPACING



30mm SPACING

