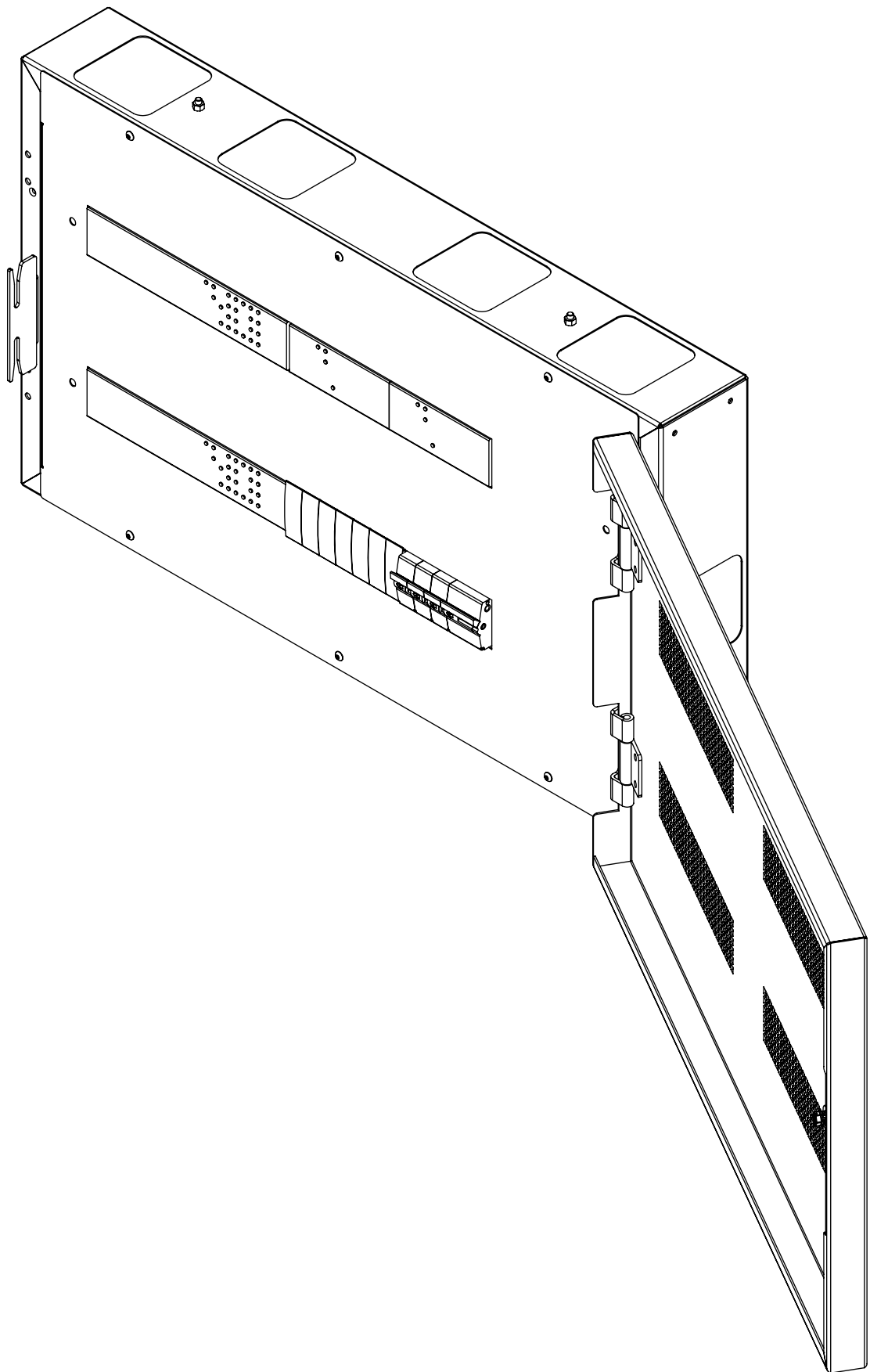


C4E 2RE

CONTROL4 ENCLOSURE - 2 RAIL EXPANSION



future automation



C4E 2RE

CONTROL4 ENCLOSURE - 2 RAIL EXPANSION



future automation

SPECIFICATION	MEASUREMENTS
Product Dimensions	400mm (15.7") x 690mm (27.2") x 141.5mm (5.6")
Number of DIN Rails	2
Finish (Custom Available)	Lid - Black Textured Paint, Box - Zintec Coated Steel
Depth From Wall	141.5mm (5.6")
Wall Mount Type	8mm (0.26") Keyhole Slots
Shipping Dimensions	540mm (21.3") x 840mm (33.0") x 210 (8.3")
Shipping Weight	11Kg (24lbs)

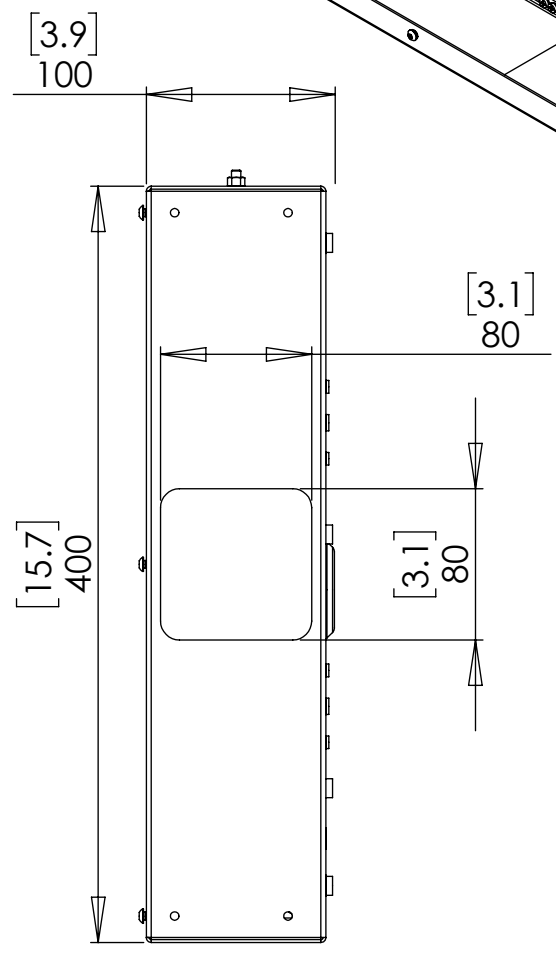
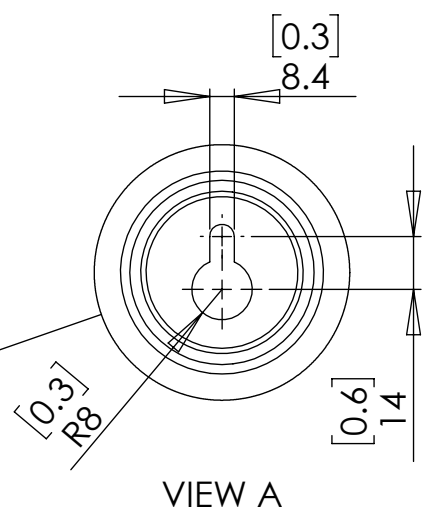
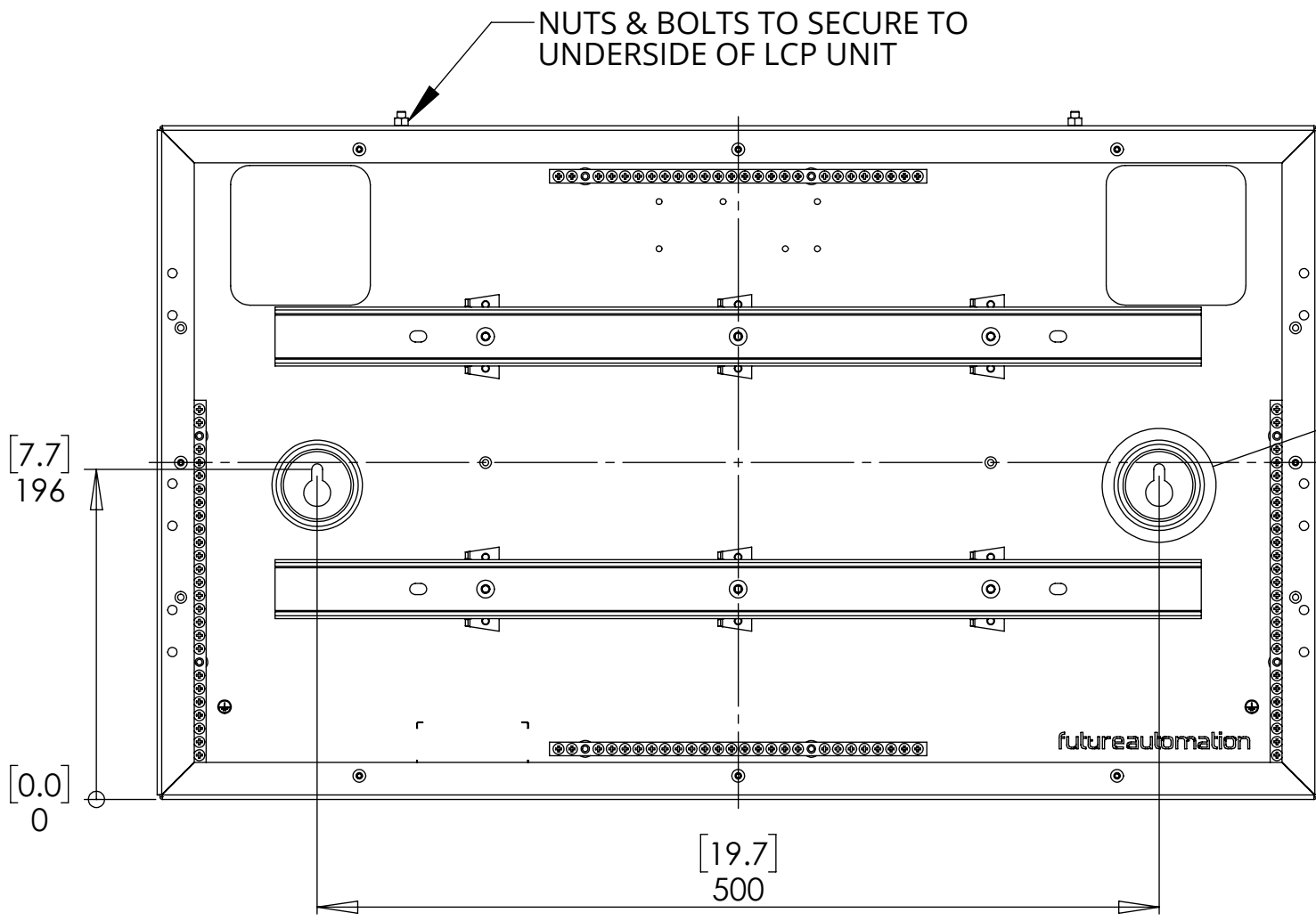
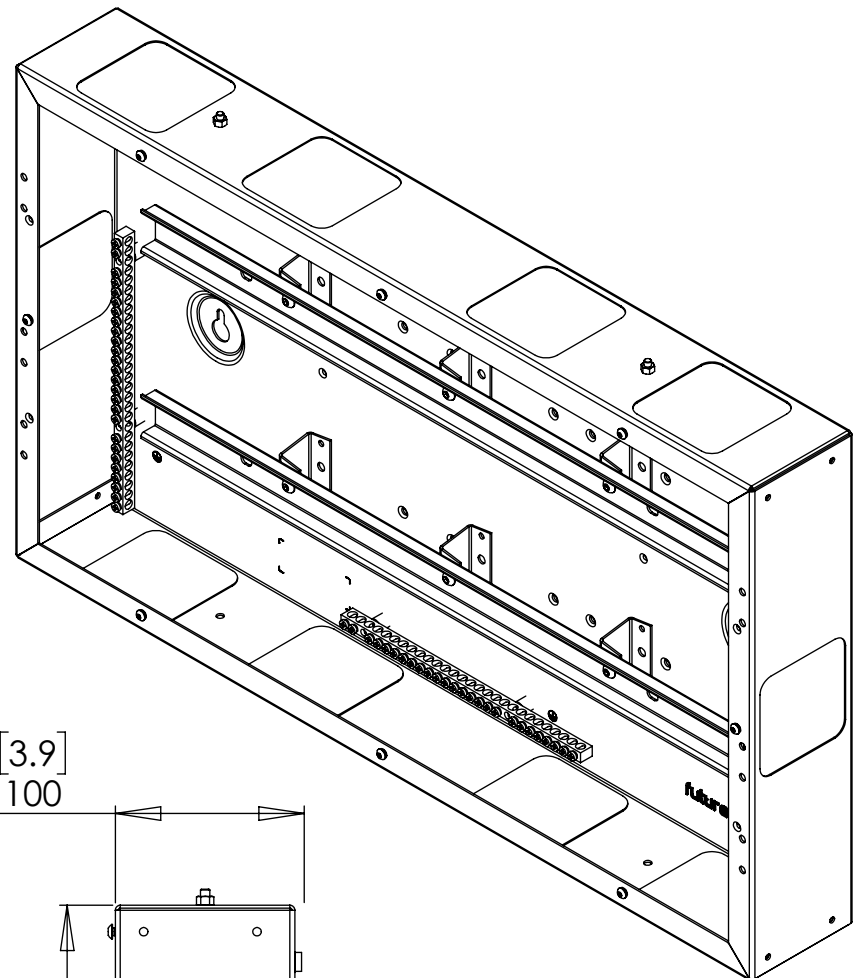
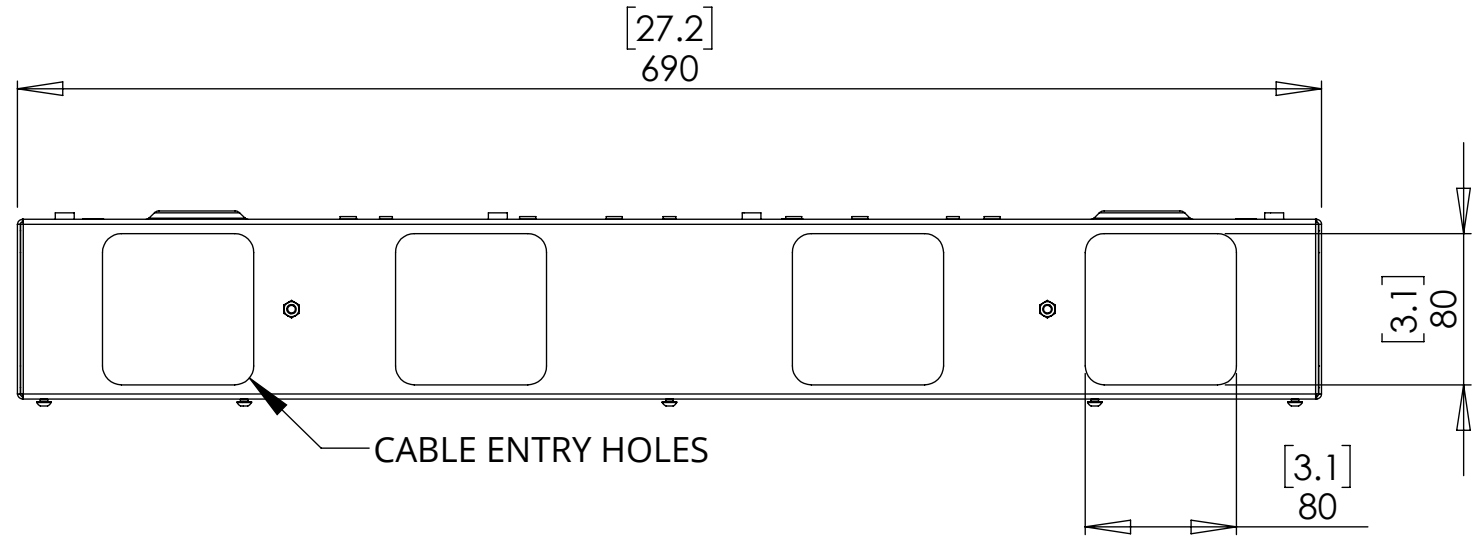
C4E 2RE

CONTROL4 ENCLOSURE - 2 RAIL EXPANSION



future automation

ENCLOSURE DIMENSIONS

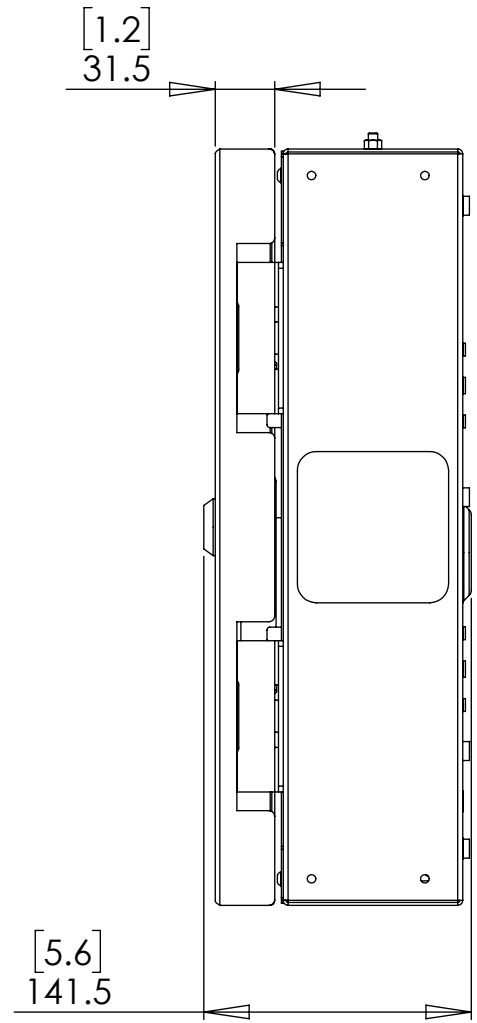
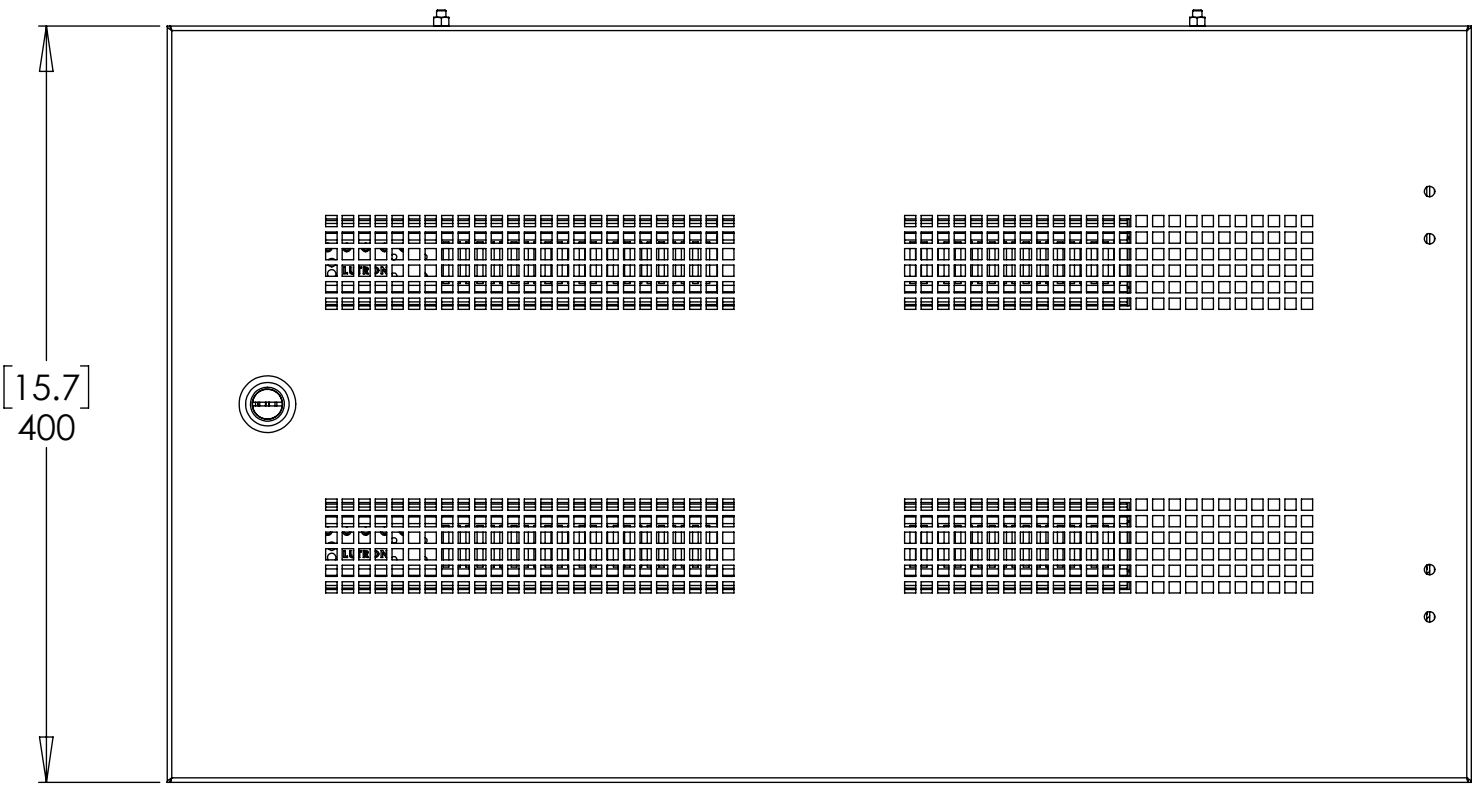
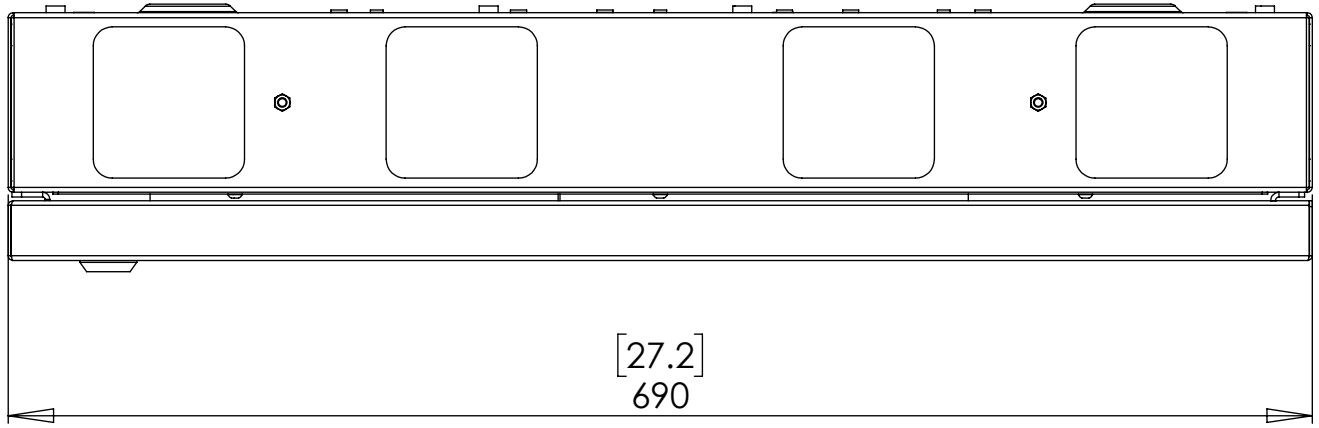


C4E 2RE

CONTROL4 ENCLOSURE - 2 RAIL EXPANSION



OVERALL DIMENSIONS



C4E 2RE

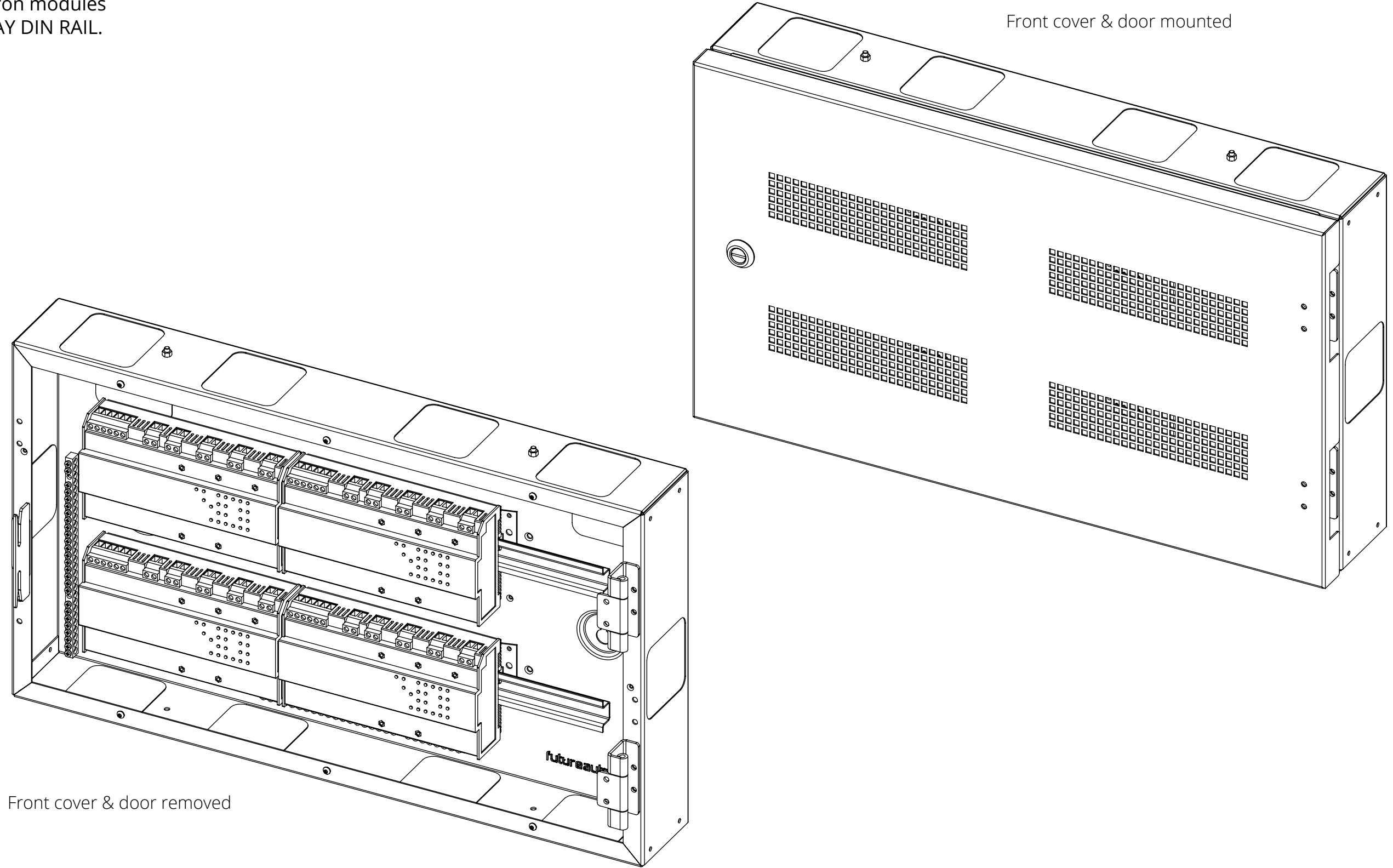
CONTROL4 ENCLOSURE - 2 RAIL EXPANSION



future automation

PANEL BOX LAYOUT

Showing four Lutron modules attached to 30 WAY DIN RAIL.



C4E 2RE

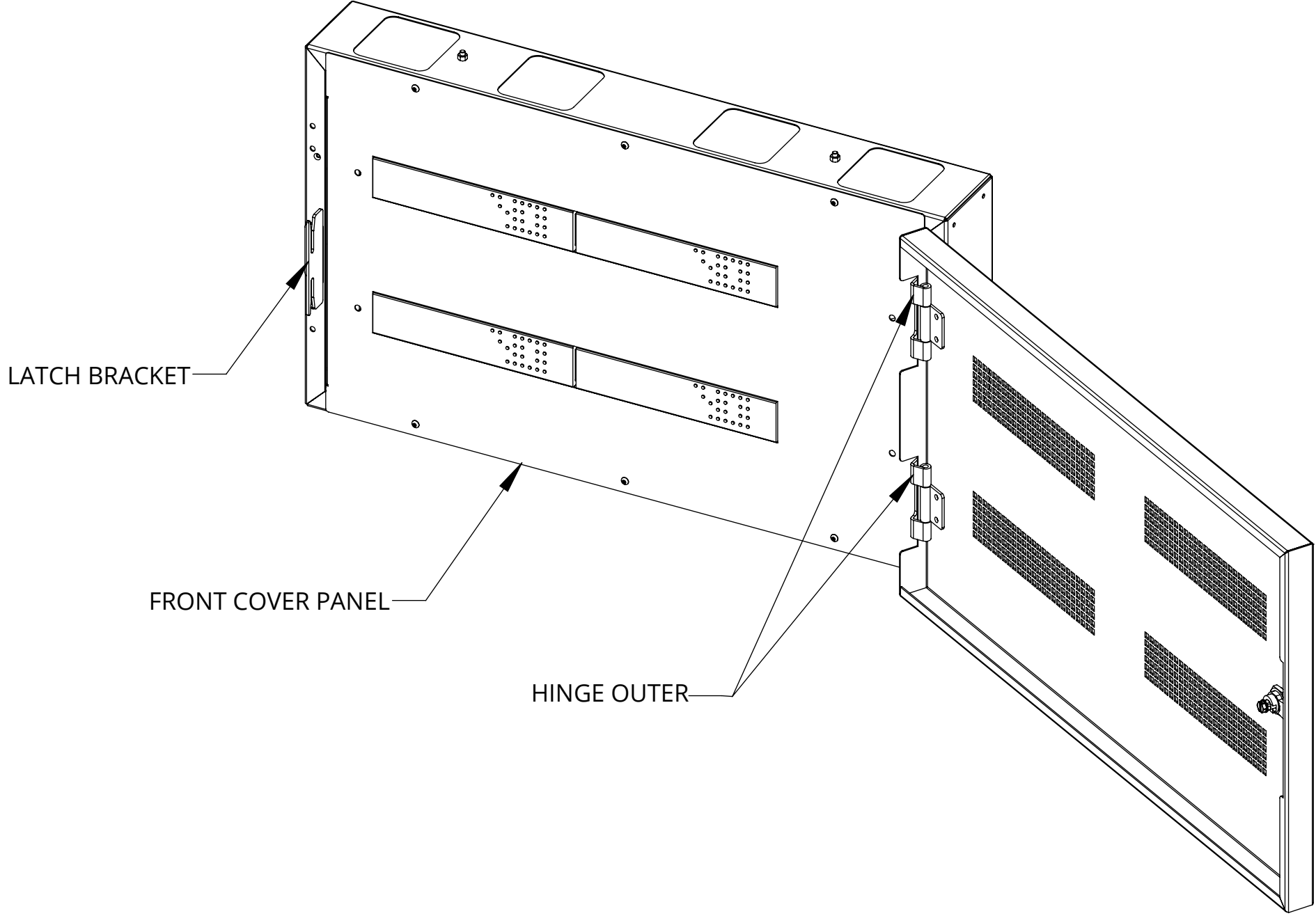
CONTROL4 ENCLOSURE - 2 RAIL EXPANSION



REVERSIBLE DOOR OVERVIEW

Door shown opening towards the right hand side

In order to switch to left hand side opening, simply remove front cover panel and swap latch bracket and hinge outers over



C4E 2RE

CONTROL4 ENCLOSURE - 2 RAIL EXPANSION



future automation

EXPANSION ENCLOSURE FITTED

Example of C4E RE2 fitted below standard C4E9 to increase capacity

