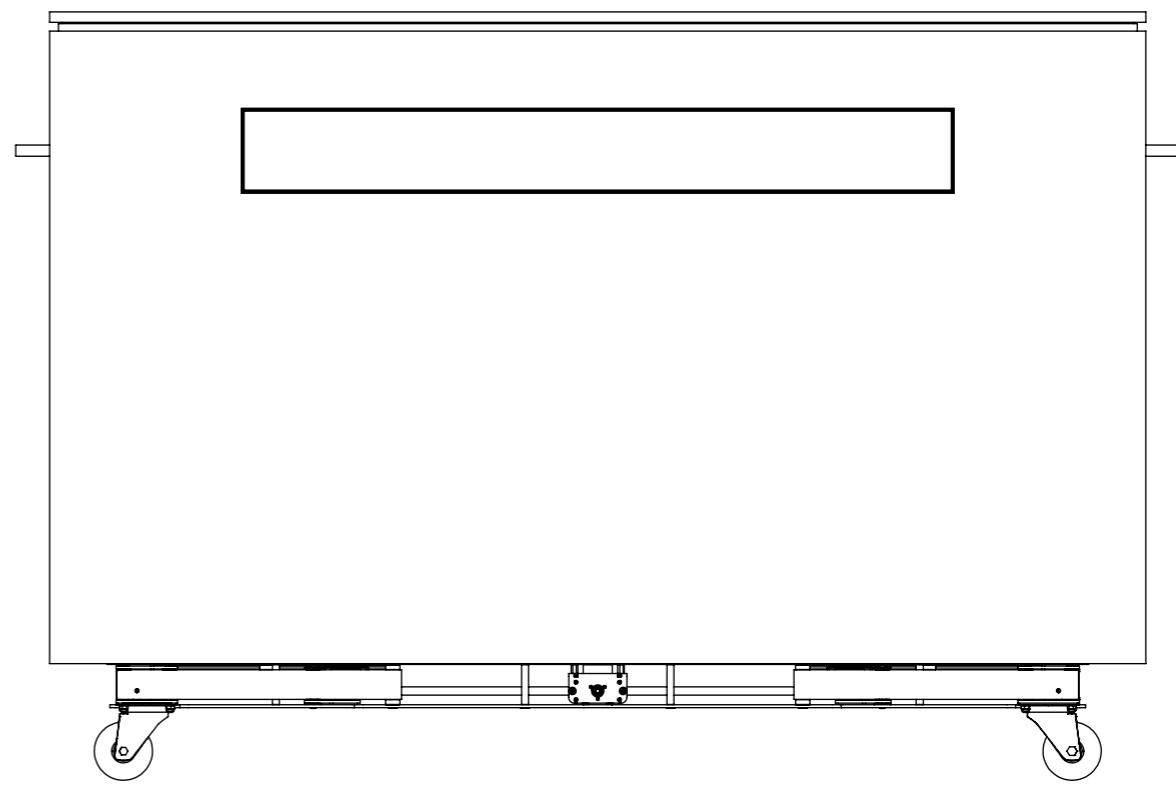
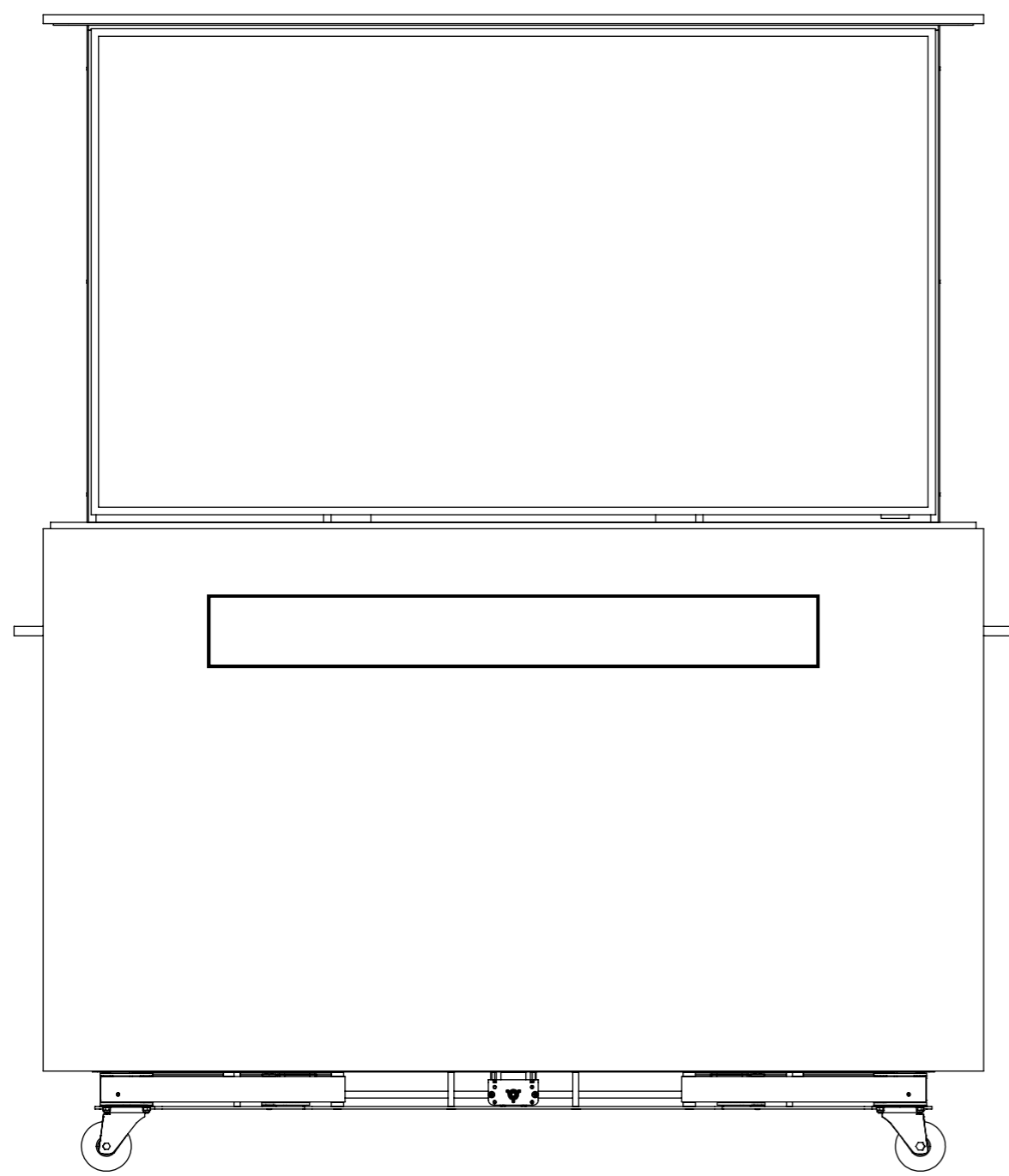


CA1-75

CINEAIR 75"



CA1-75

CINEAIR 75"

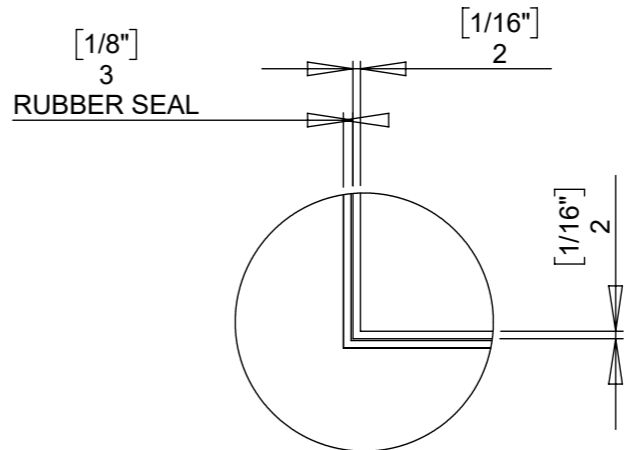
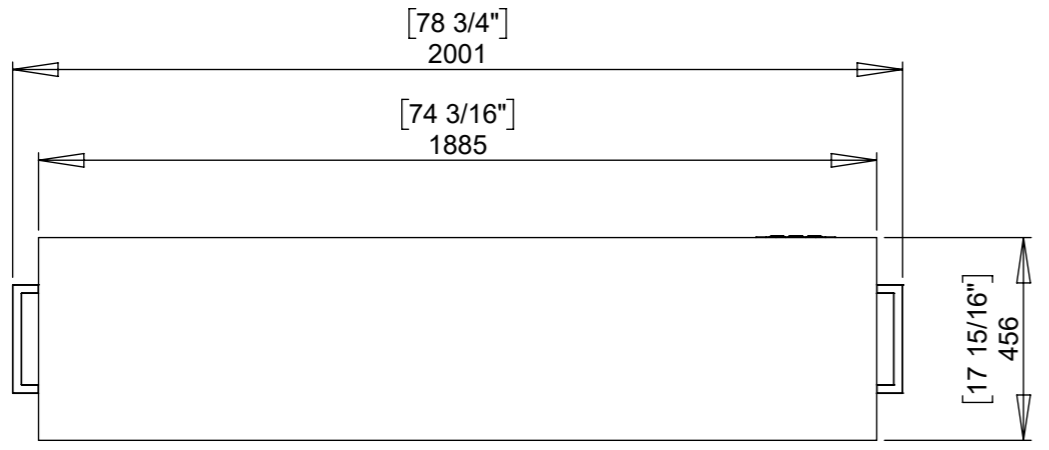


SPECIFICATION	MEASUREMENTS
Product Dimensions - H*W*D (Open)	2318mm (91.25") * 2001mm (78.77") * 456mm (17.95")
Product Dimensions - H*W*D (Closed)	1321mm (52") * 2001mm (78.77") * 456mm (17.95")
Castor Extended Depth	925mm (36.41")
Clip on Plinth W*D	2045mm (80.51") * 996mm (39.21")
Compatible Samsung Terrace Display	QE75LST7DATXXU
Compatible Samsung Terrace Soundbar	HW-LST70T/XU (Customisable option available)
Screen Size	75"
Packaging Dimensions	TBC.
Power Consumption Max.	200W
Power Consumption Standby	3W
Mechanism Movement Type	Motorised
Extendable Castor Movement Type	Manually driven with Drill and M6 HEX bit
Control Options	Rear located key switch
Product Customisation Options	Customisable decorative laminate
Marine Suitable	No

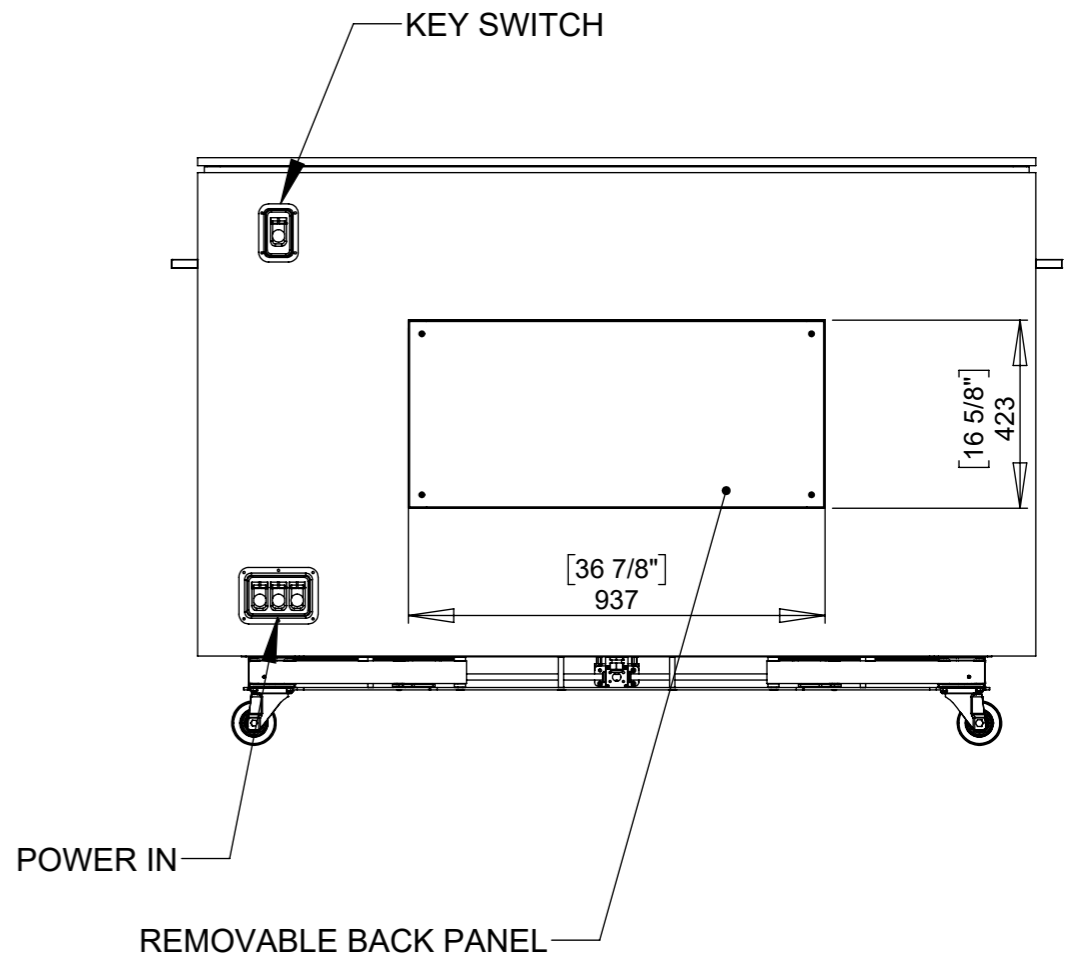
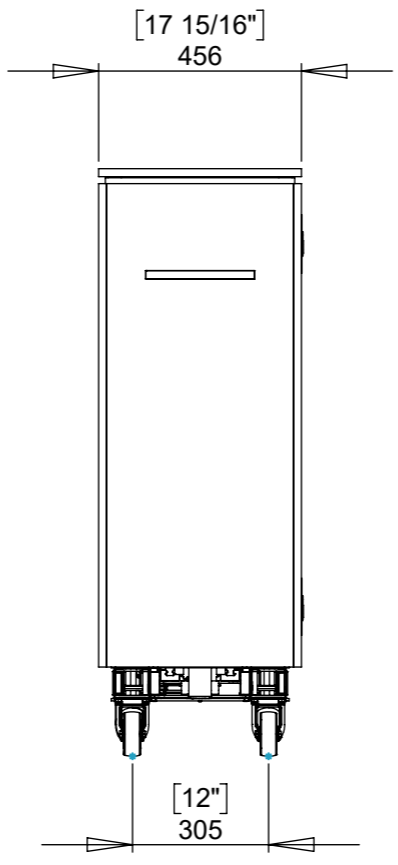
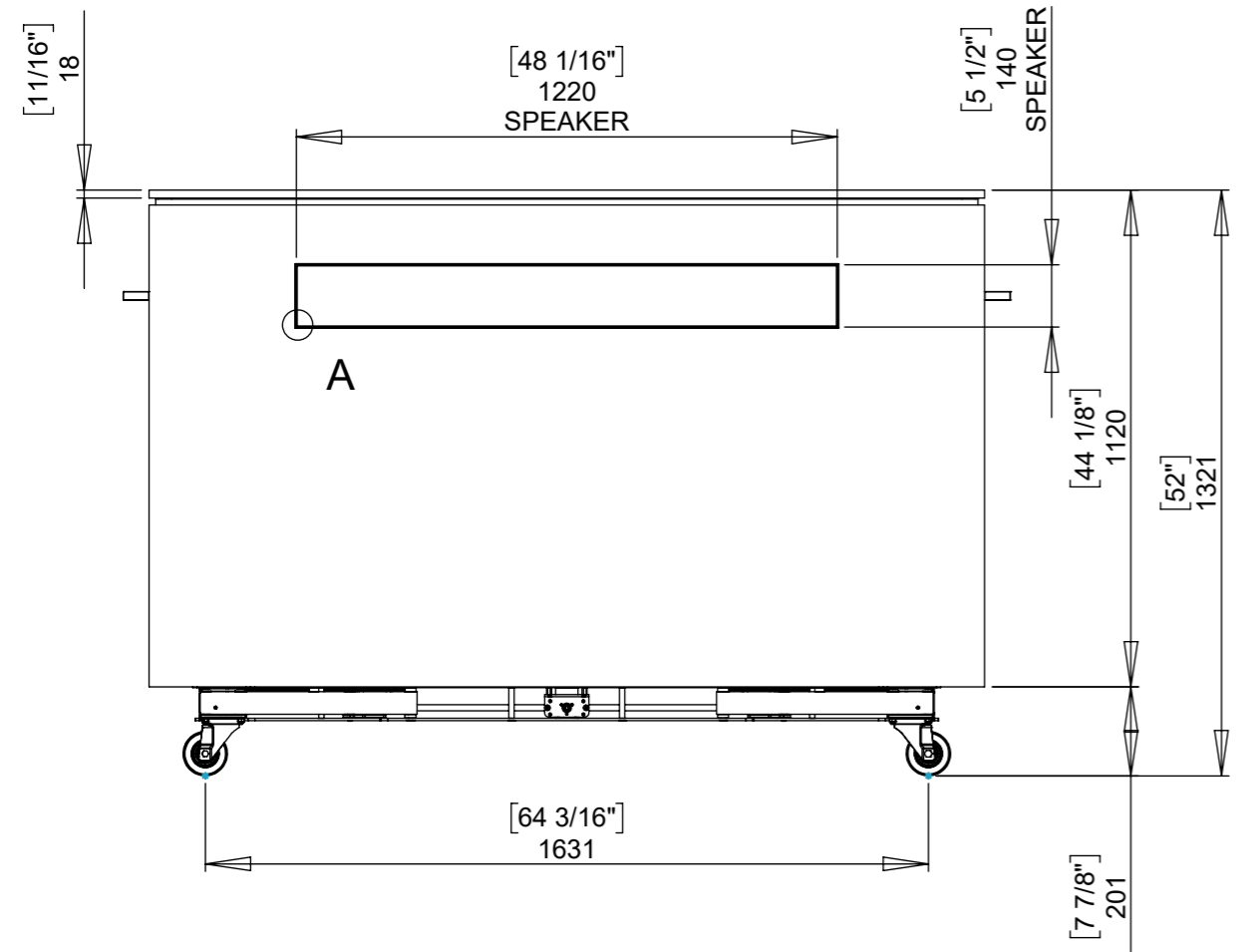
CA1-75 CINEAIR 75"



future automation

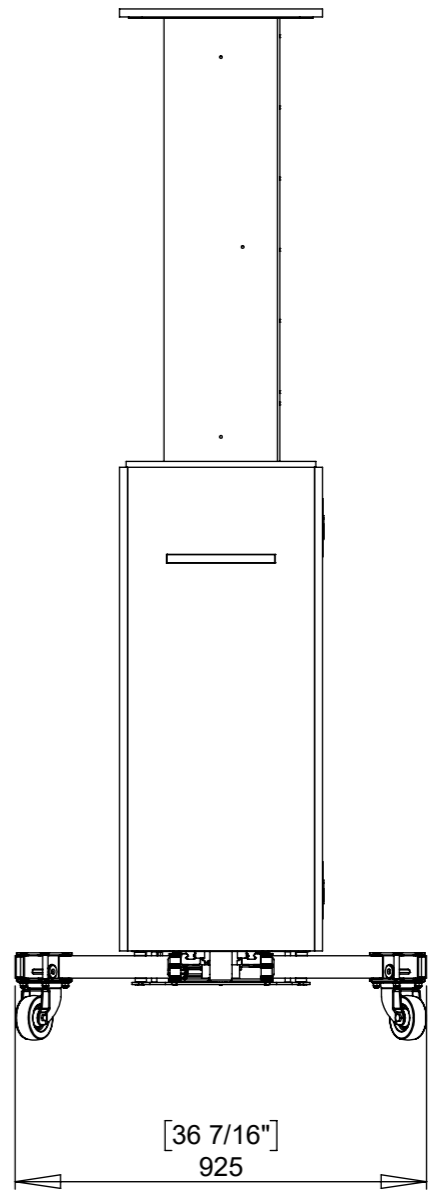
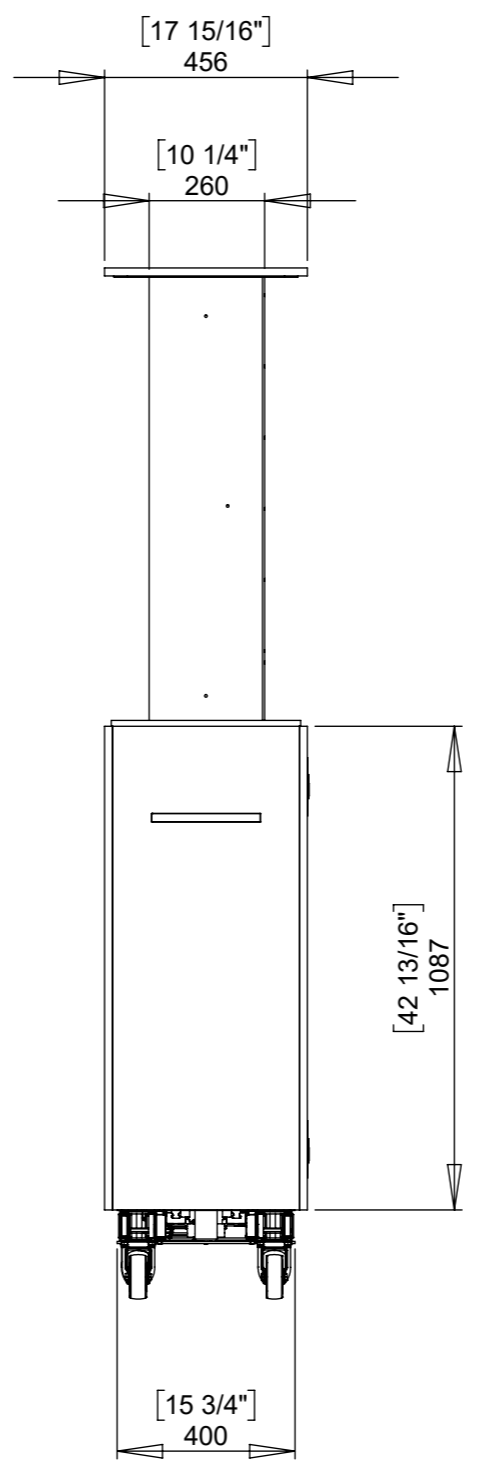
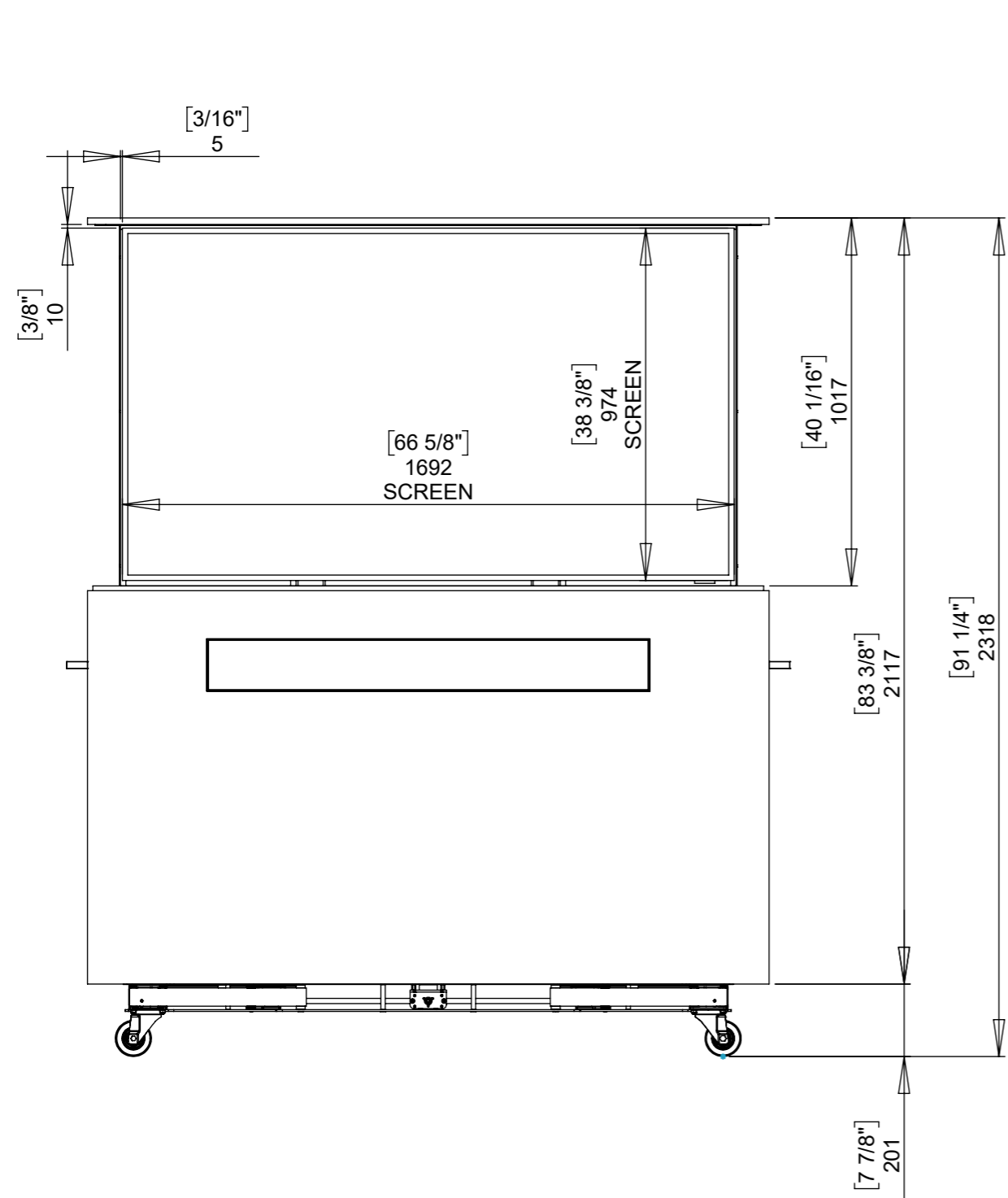


DETAIL A

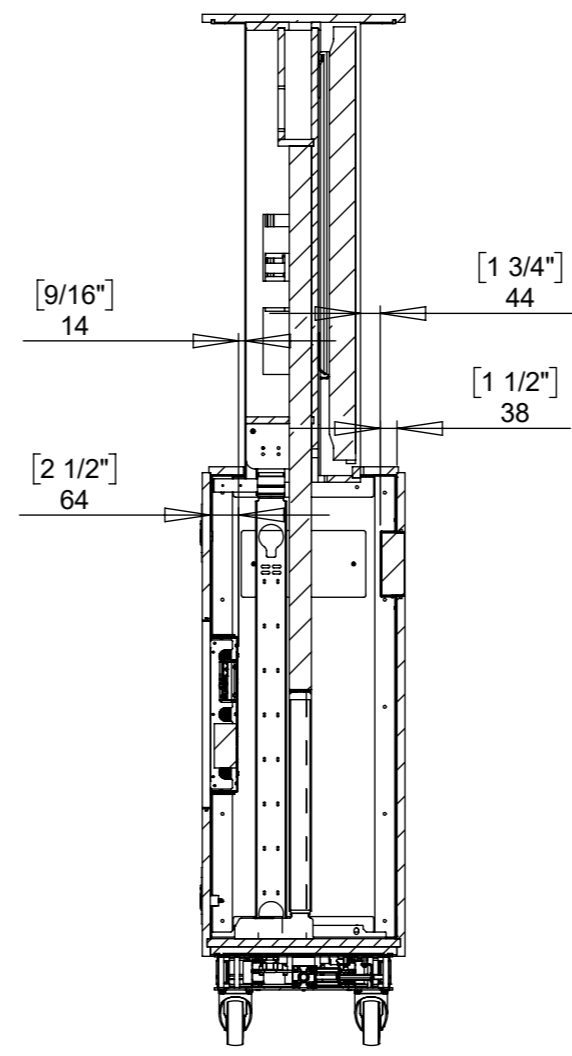
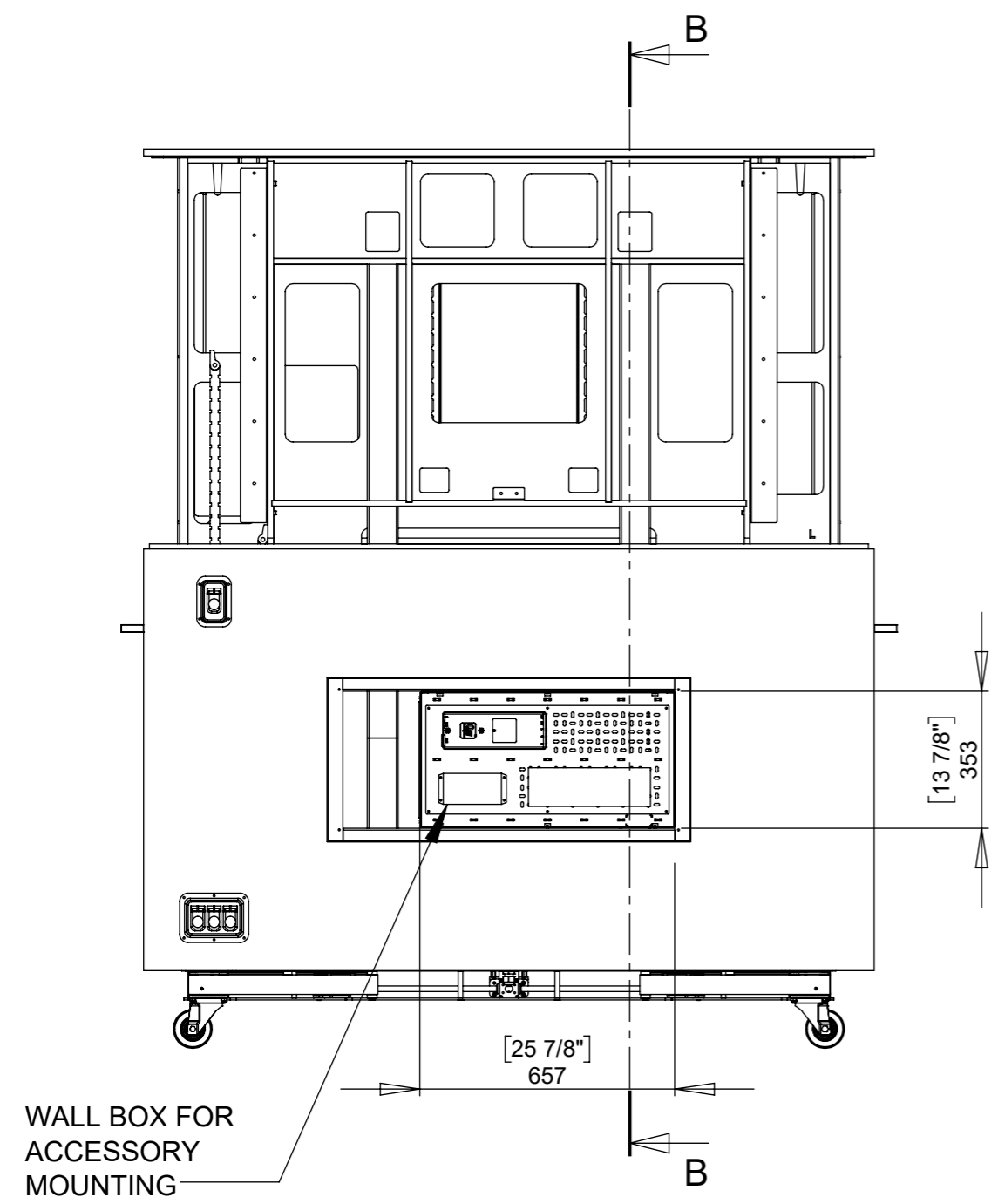


CA1-75

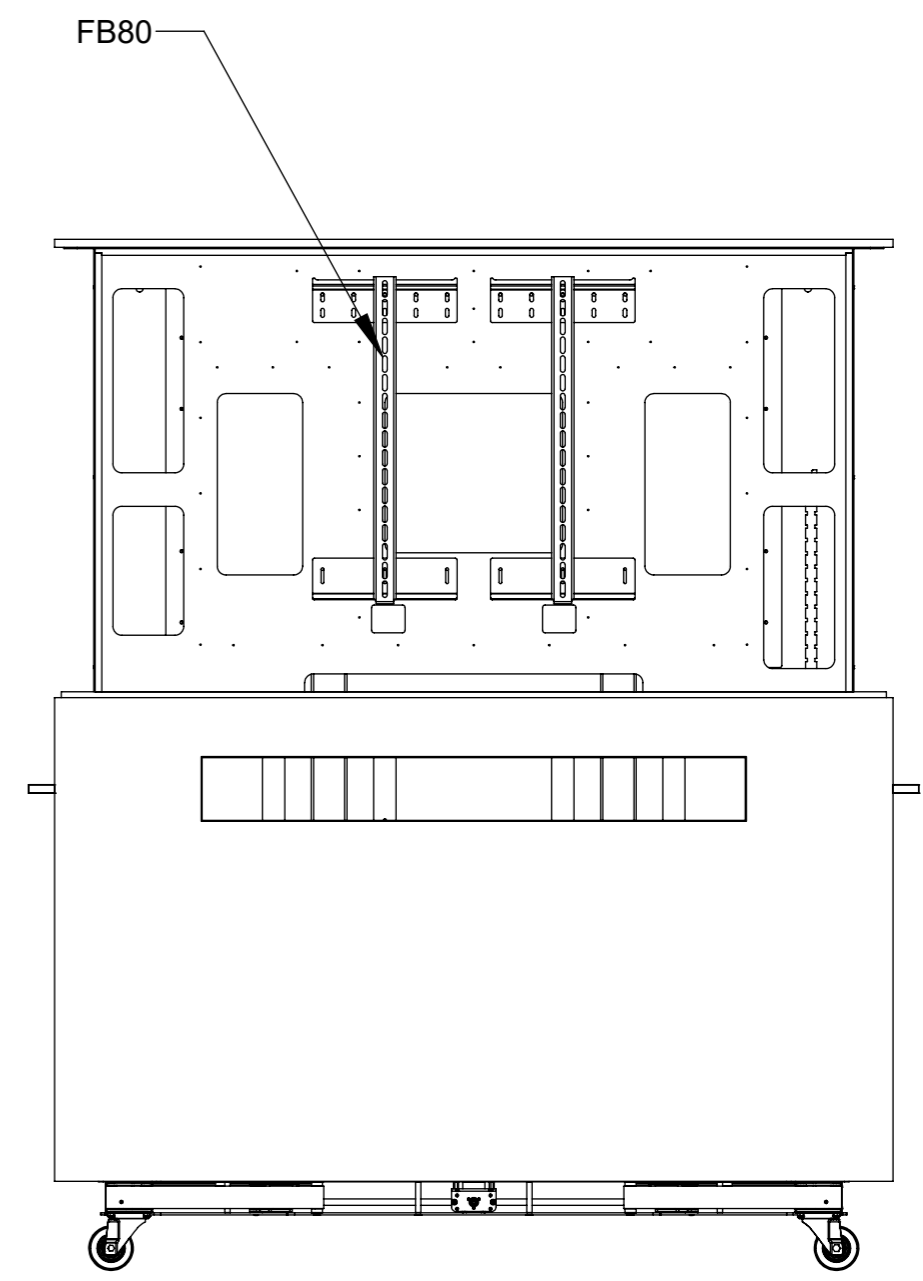
CINEAIR 75"



CA1-75 CINEAIR 75"

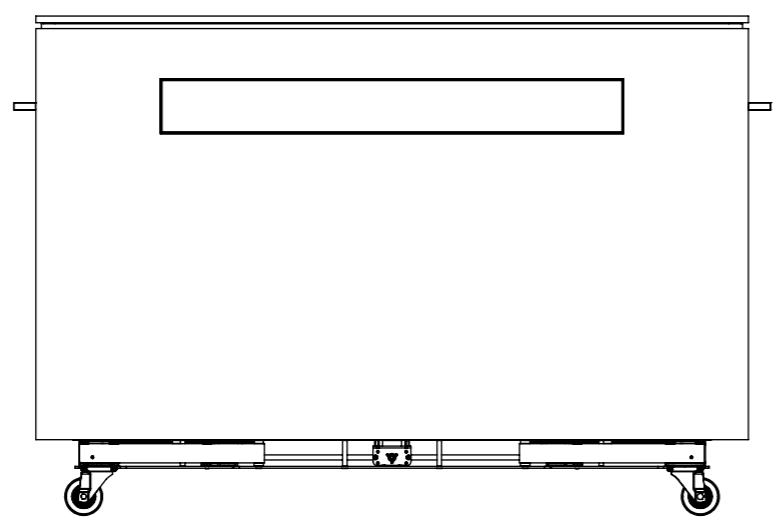


SECTION B-B

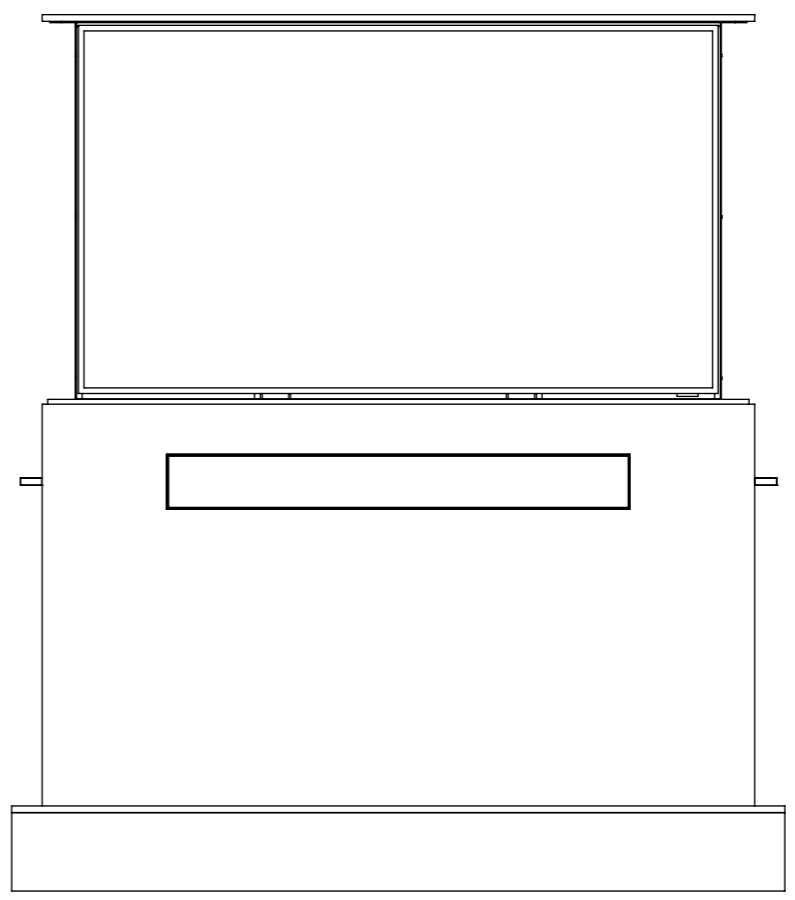
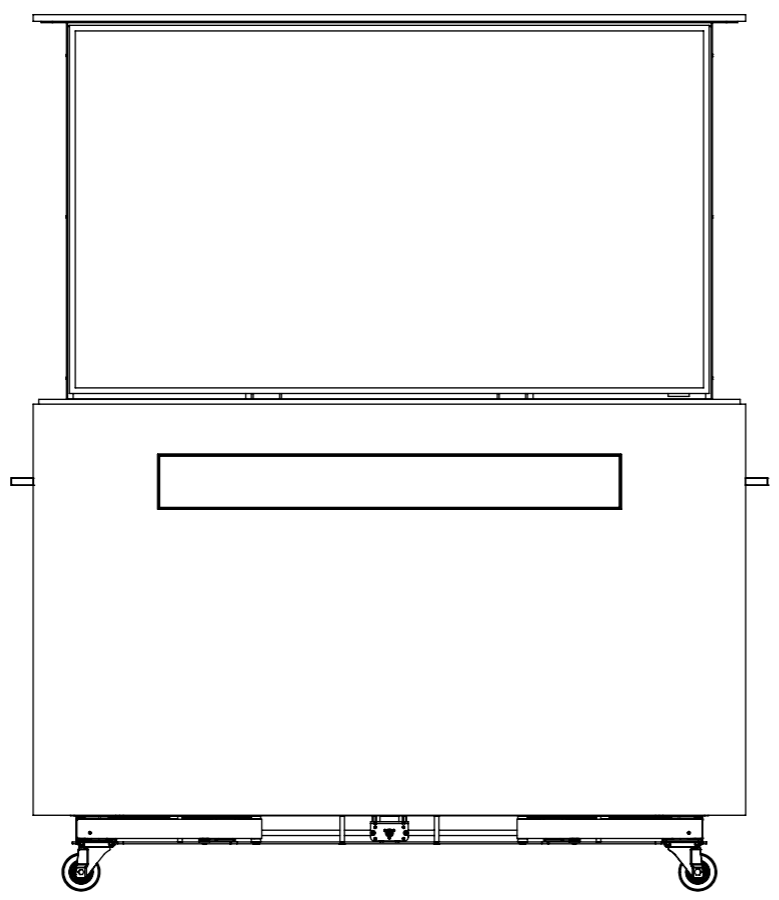
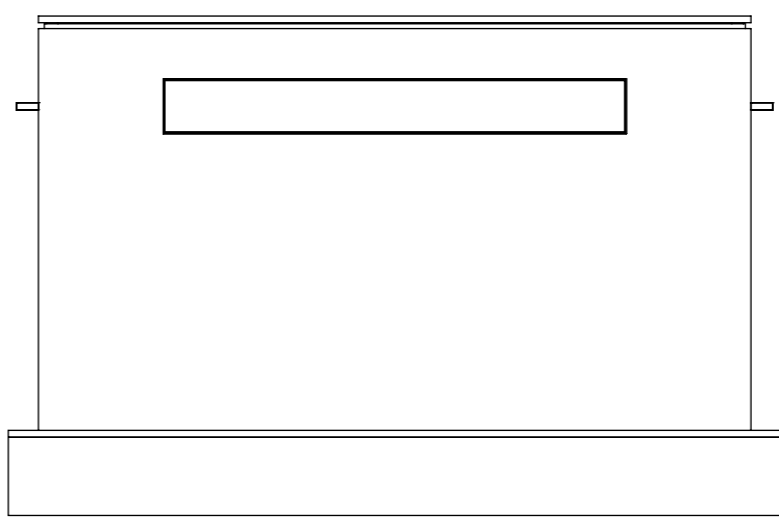


CA1-75 CINEAIR 75"

EXTENDABLE CASTOR - AS STANDARD

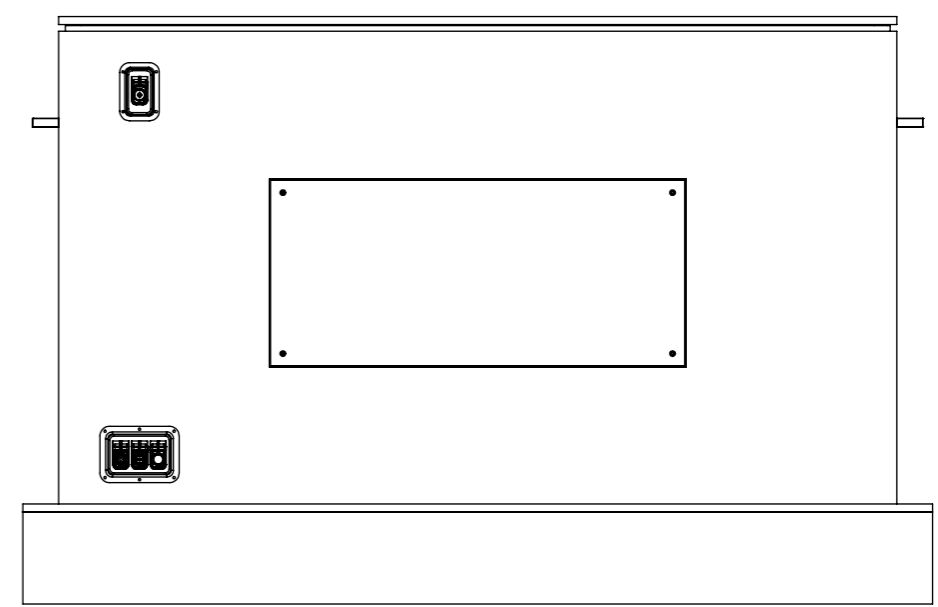
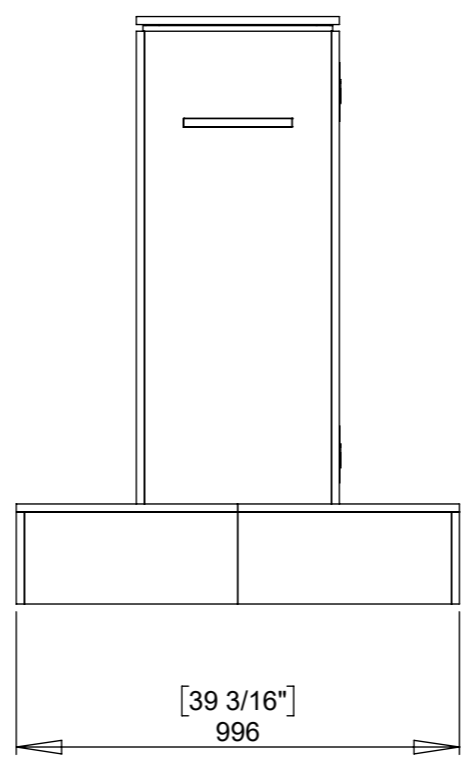
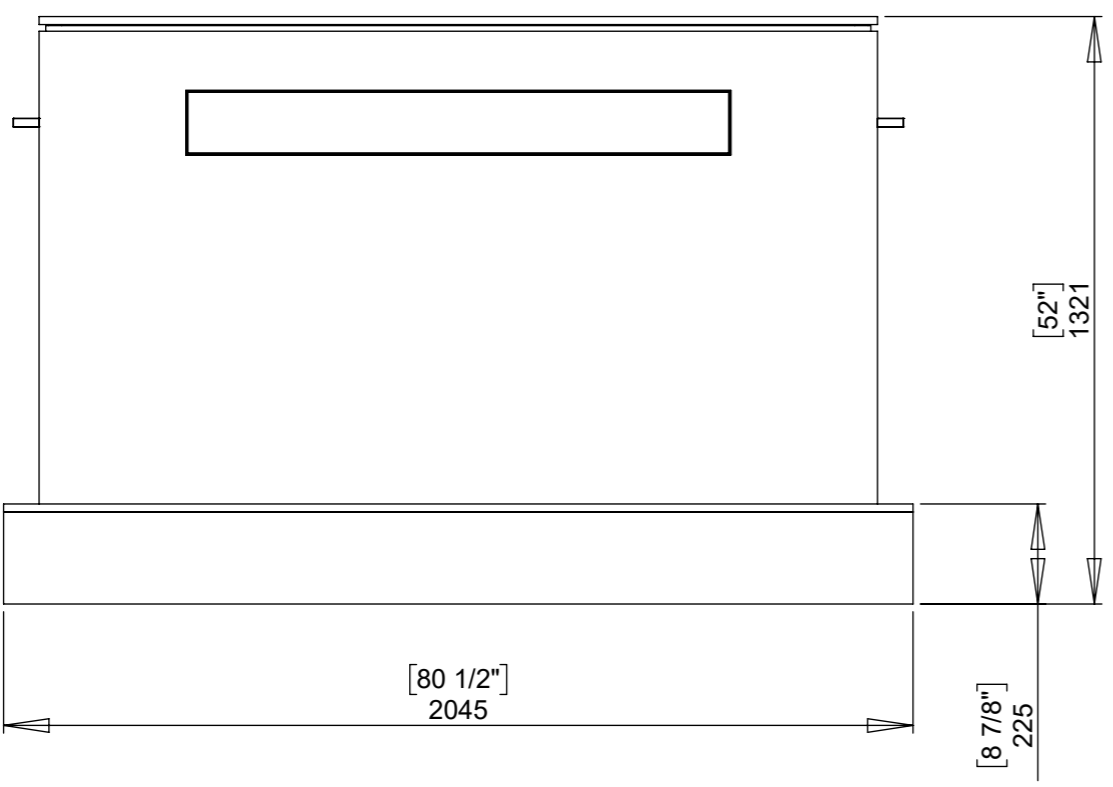
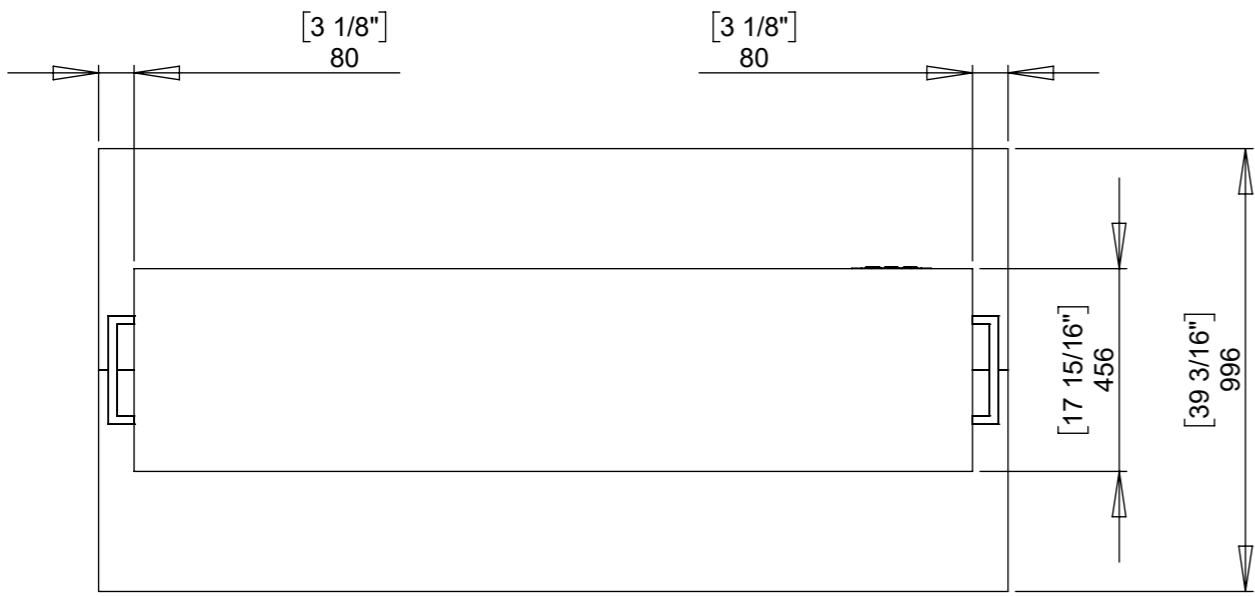


WITH CLIP ON PLINTH



CA1-75 CINEAIR 75"

CLIP ON PLINTH



CA1-75

CINEAIR 75"



future automation



CA1-75

CINEAIR 75"



future automation

