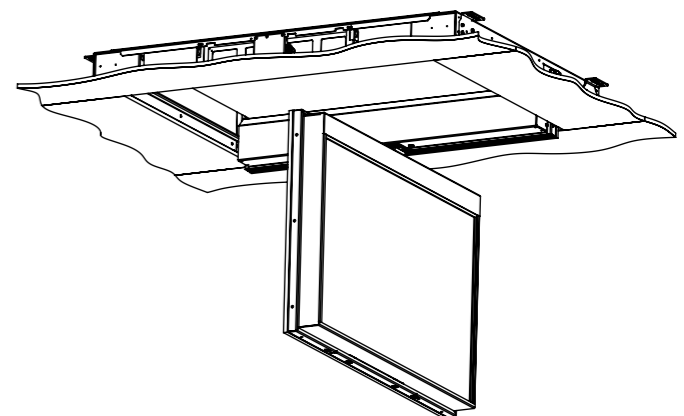
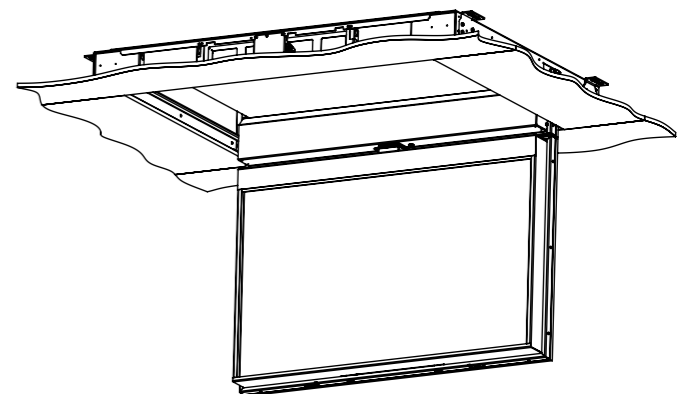
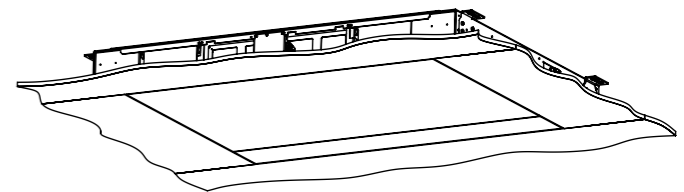
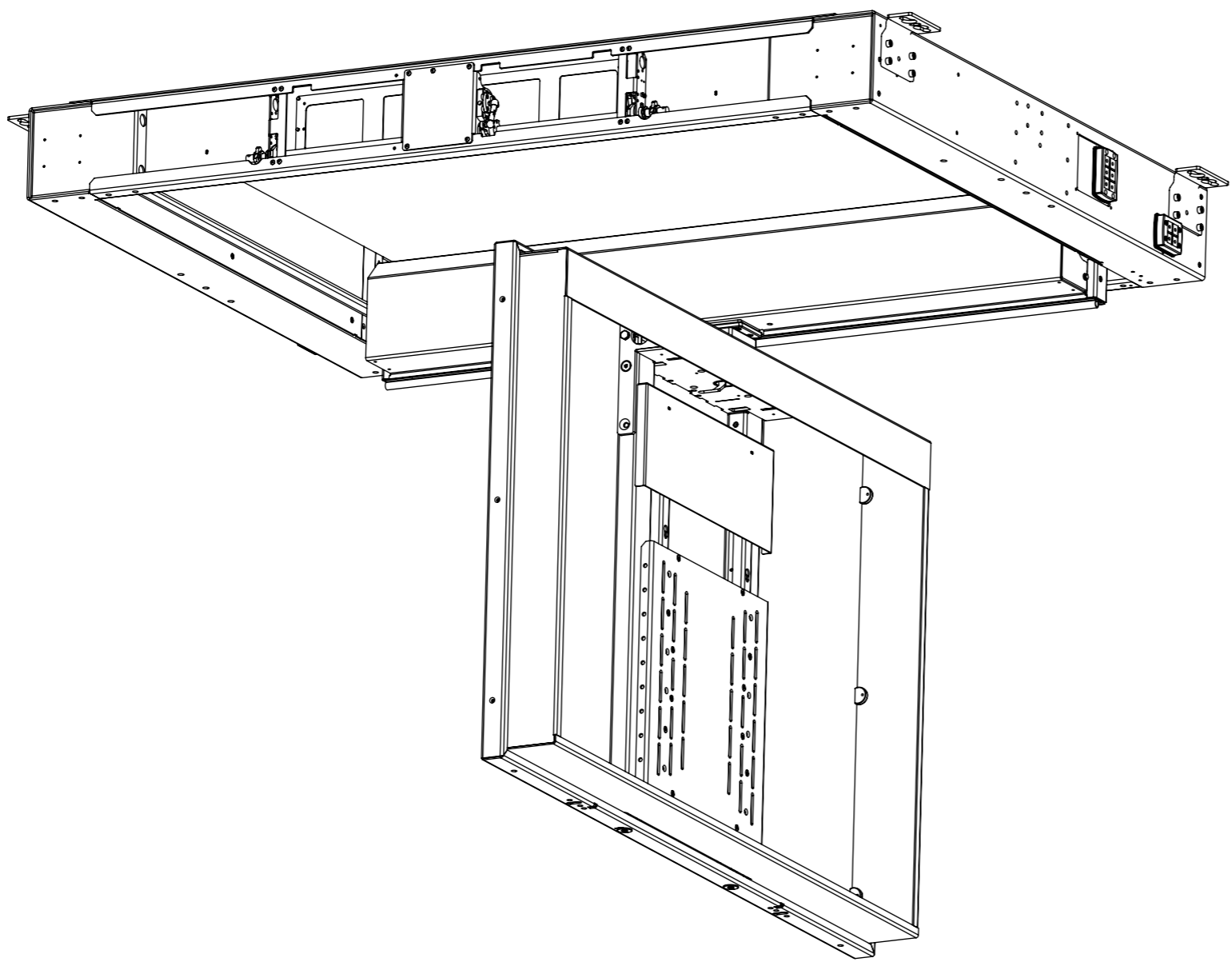


CHRS6-MO

MARINE OUTDOOR CEILING HINGE RANGE WITH SWIVEL



MECHANISM AS SUPPLIED

CHRS6-MO

MARINE OUTDOOR CEILING HINGE RANGE WITH SWIVEL



future automation

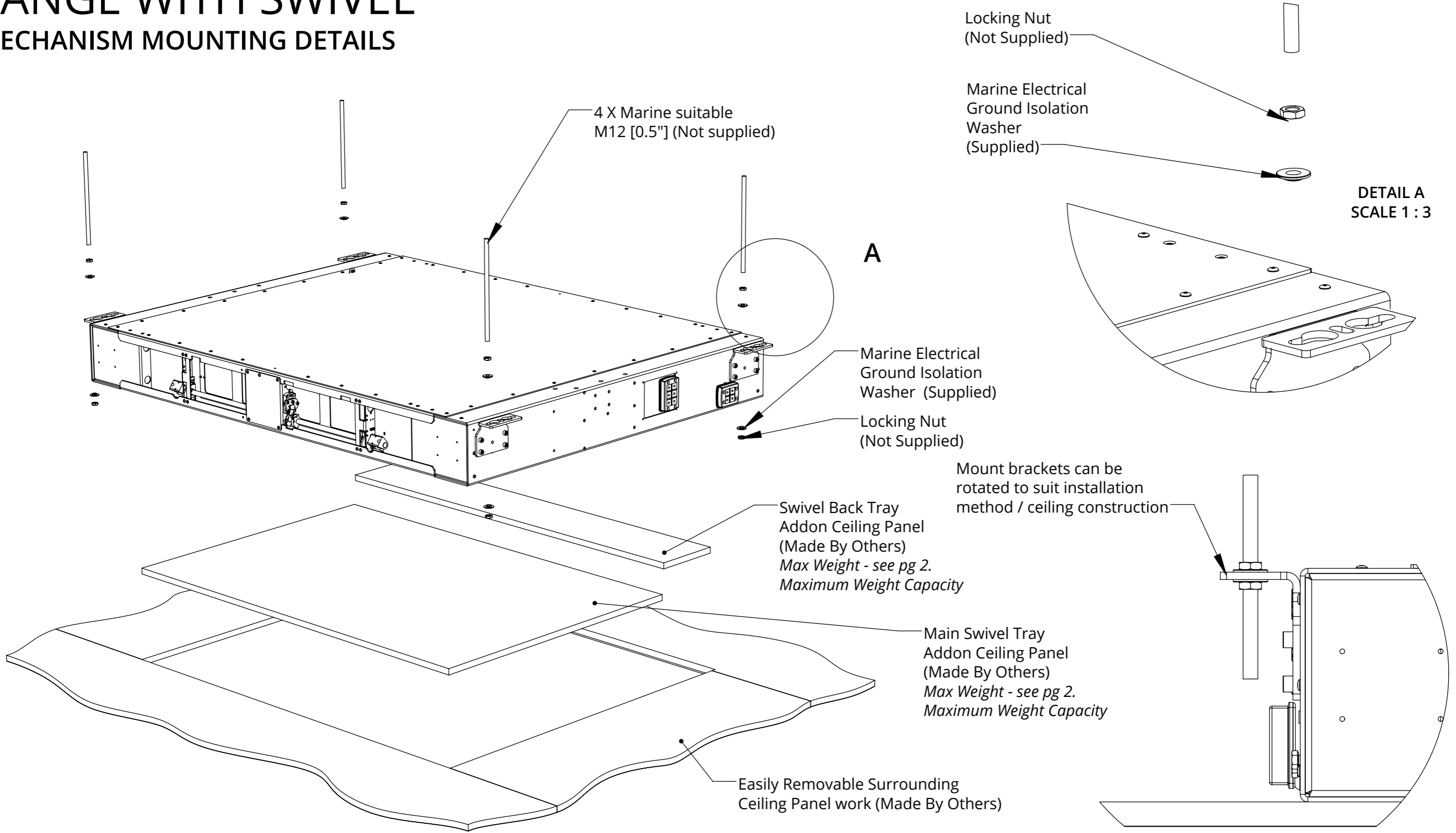
SPECIFICATION	MEASUREMENTS
Product Dimensions	2024mm (79.7") x 1441mm (56.8") x 195mm (7.7")
Product Weight	200Kg (440lb)
Maximum Screen Size	1530mm (60.2") W x 920mm (36.2") L x 100mm (3.9") D
Maximum Weight Capacity	100Kg (220lb) - Inc 30kg [66lbs] max. Addon Ceiling Panel Main Hinge & 10kg [22lbs] max. Addon Ceiling Panel Swivel Back Tray
Packaging Dimensions	2060mm (81.1") x 1600mm (63.0") x 440mm (17.3")
Shipping Weight	300Kg (660lb)
Maximum Rotation	90° on Hinge 180° CW and CCW on Swivel
Movement Type	Motorised
Control System	In IP66 Control box on 3m [10'] Loom
Power Supply Required	110V - 240V AC 50-60hz
Power Consumption Max.	720W
Power Consumption Standby	3W
Mounting Patterns Supported	VESA 400, 300, 200 W x 400, 300, 200 H
Control Options	IR Remote, RS232, Contact Closure
Product Options / Features	Specific B&O and Loewe mounts / adapters, Custom RAL paint finishes, Marine suitable version
Package Contents	Mechanism, IR remote control
Environment	Marine Outdoor
Colour	WHITE - RAL9910 Satin Finish
Marine Suitable	Yes - Marine Locks for secure stowing when not in use - Weatherproof when closed due to Marine Seals .

CHRS6-MO

MARINE OUTDOOR CEILING HINGE RANGE WITH SWIVEL MECHANISM MOUNTING DETAILS



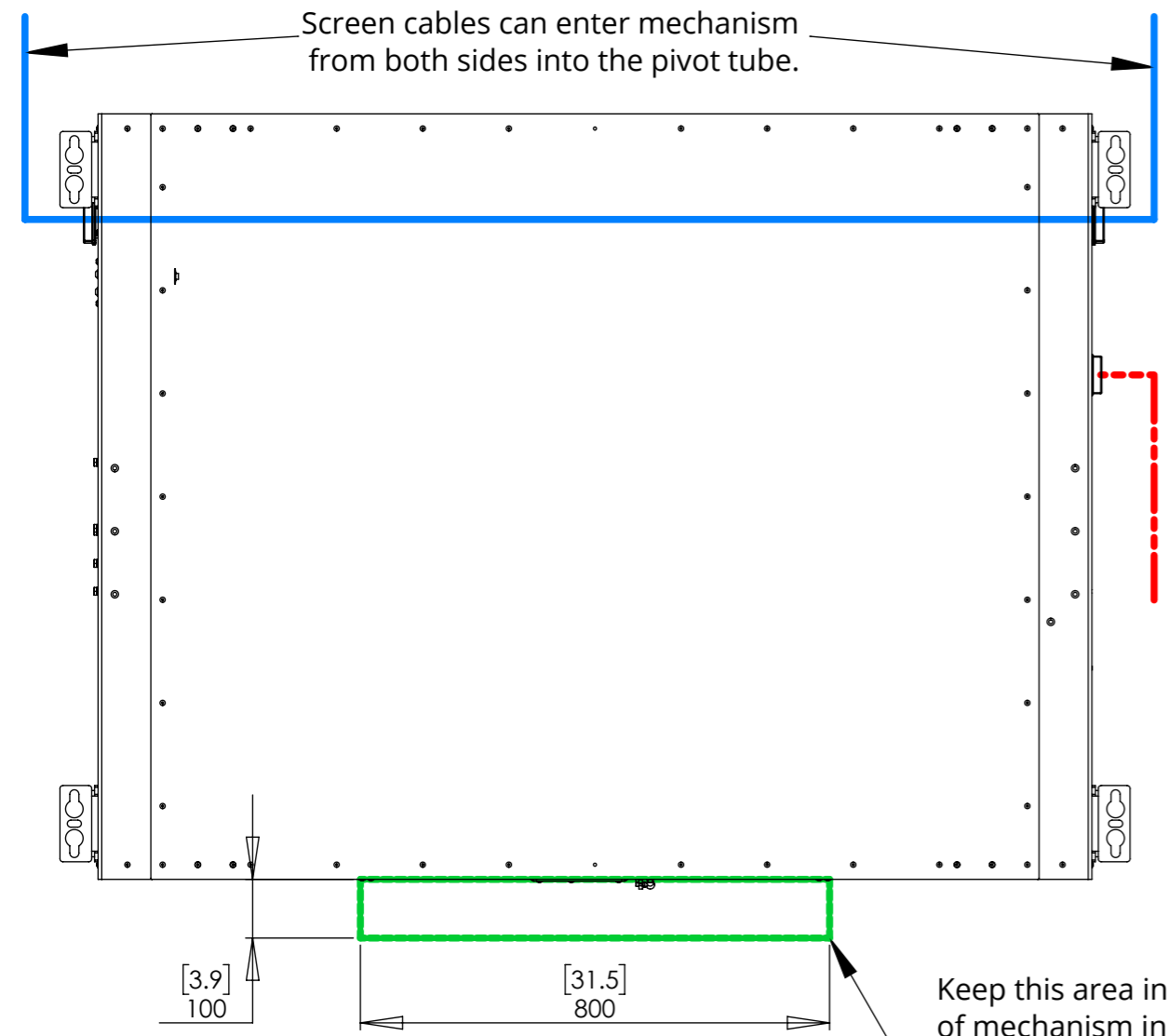
future automation



CHRS6-MO

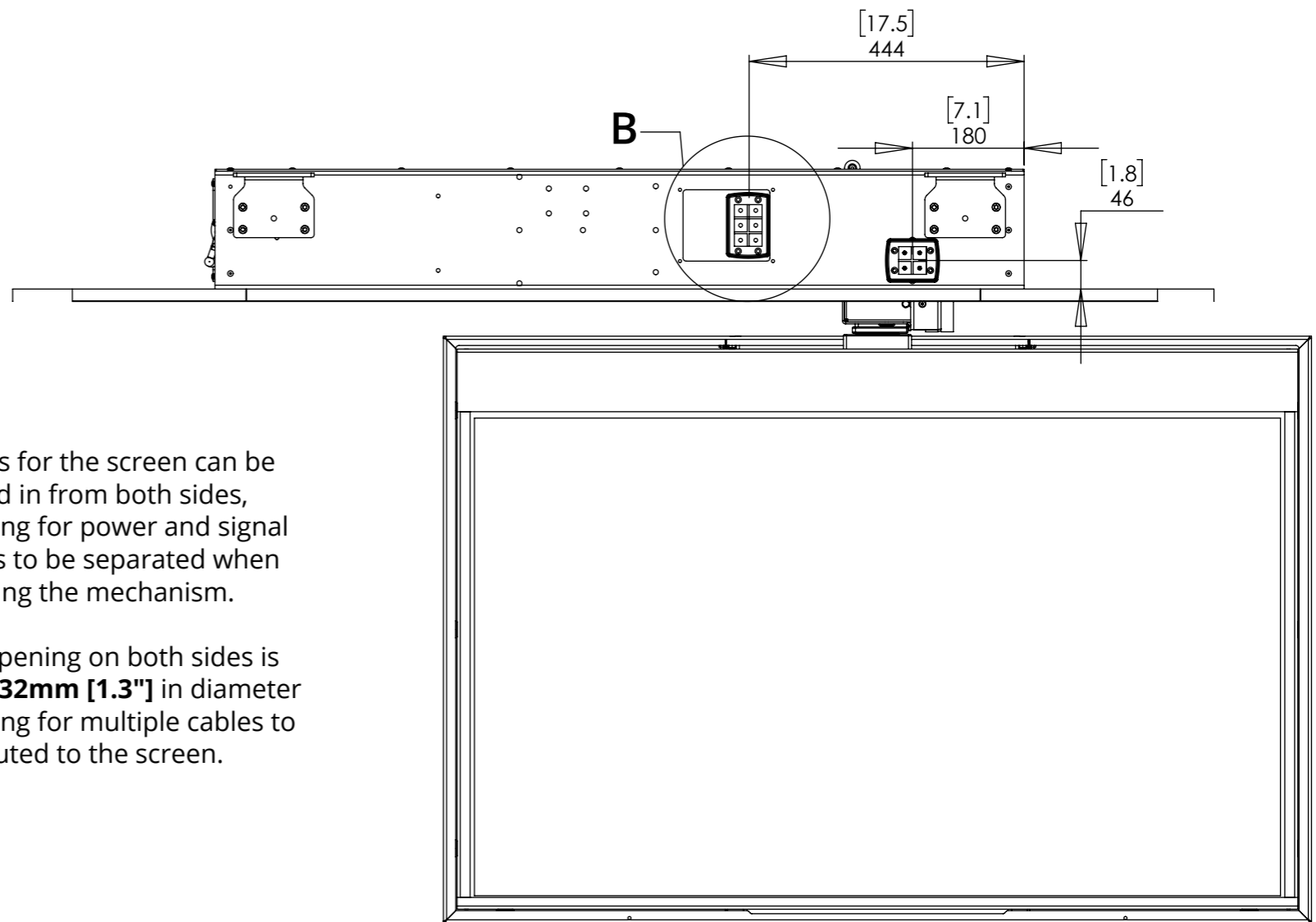
MARINE OUTDOOR CEILING HINGE RANGE WITH SWIVEL

CEILING PREPARATION



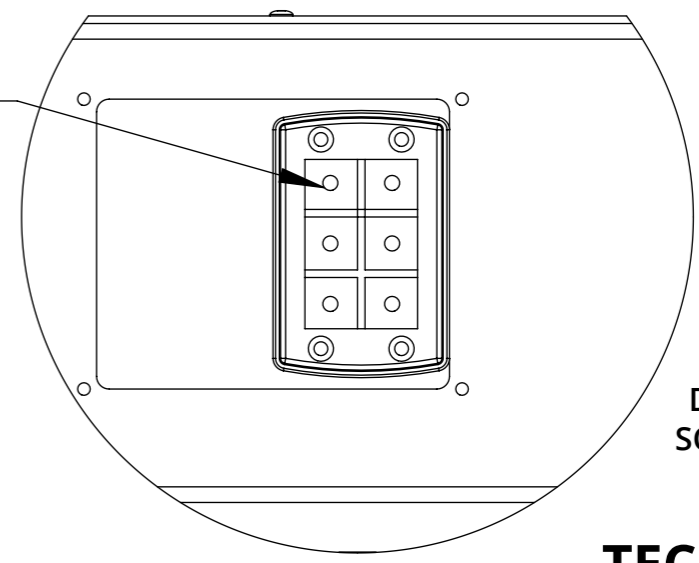
Cables for the screen can be routed in from both sides, allowing for power and signal cables to be separated when entering the mechanism.

The opening on both sides is **MIN. 32mm [1.3"]** in diameter allowing for multiple cables to be routed to the screen.



Cables pass through easily removable cable gland plates into mechanism.

Additional glands to suit different cable sizes are available on request.



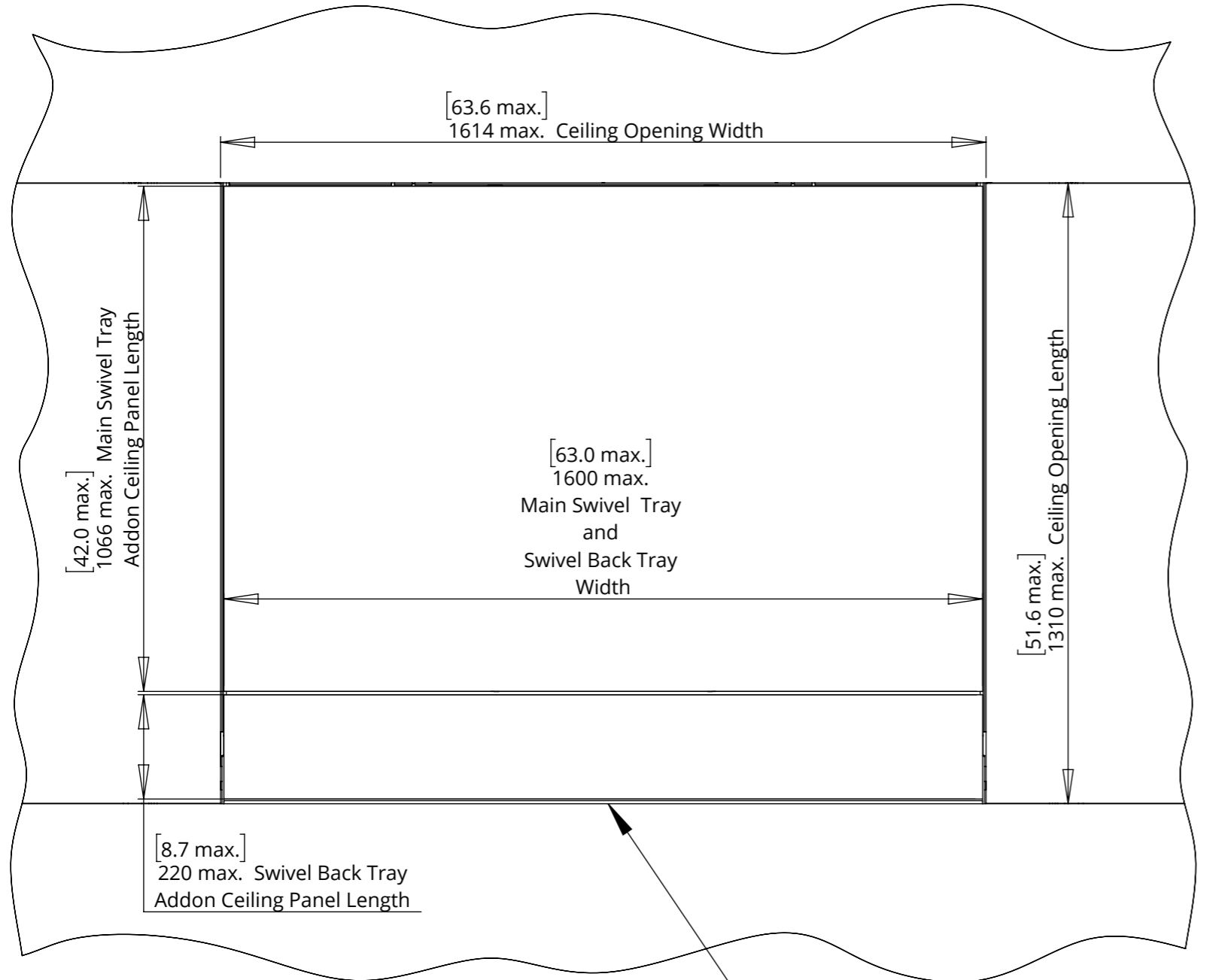
DETAIL B
SCALE 1 : 3

- Mechanism Power and Control Cables.
- Screen power and Signal

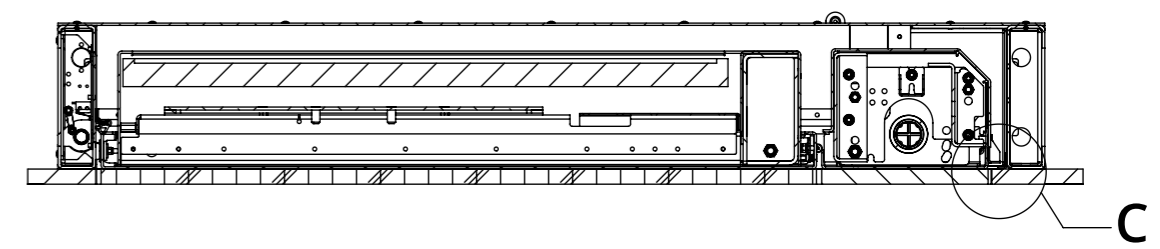
CHRS6-MO

MARINE OUTDOOR CEILING HINGE RANGE WITH SWIVEL

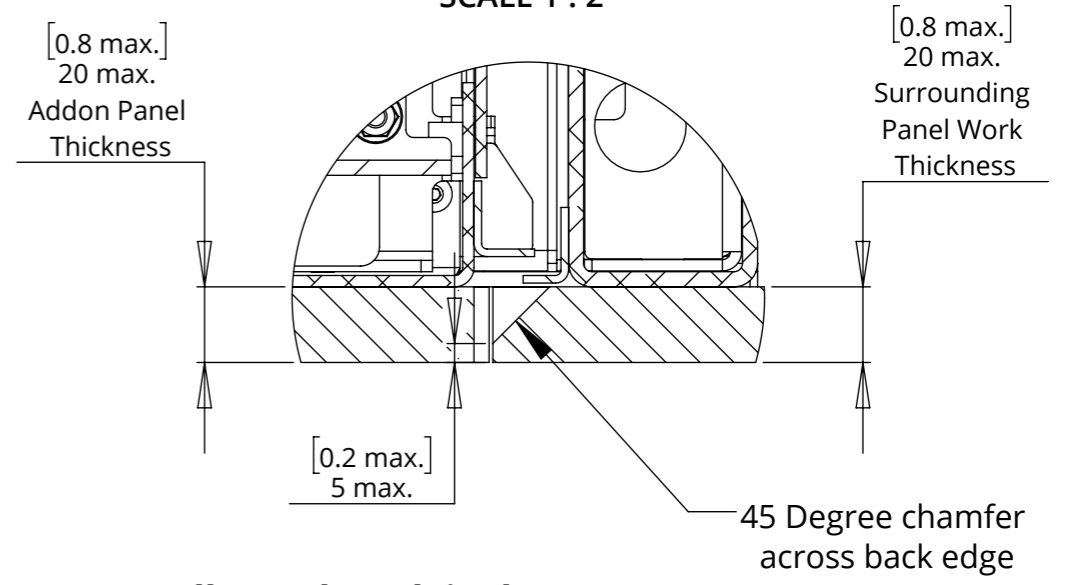
CEILING DETAILS



Mechanism designed to work with min. 7mm [0.3"] shadow gaps



DETAIL C
SCALE 1 : 2



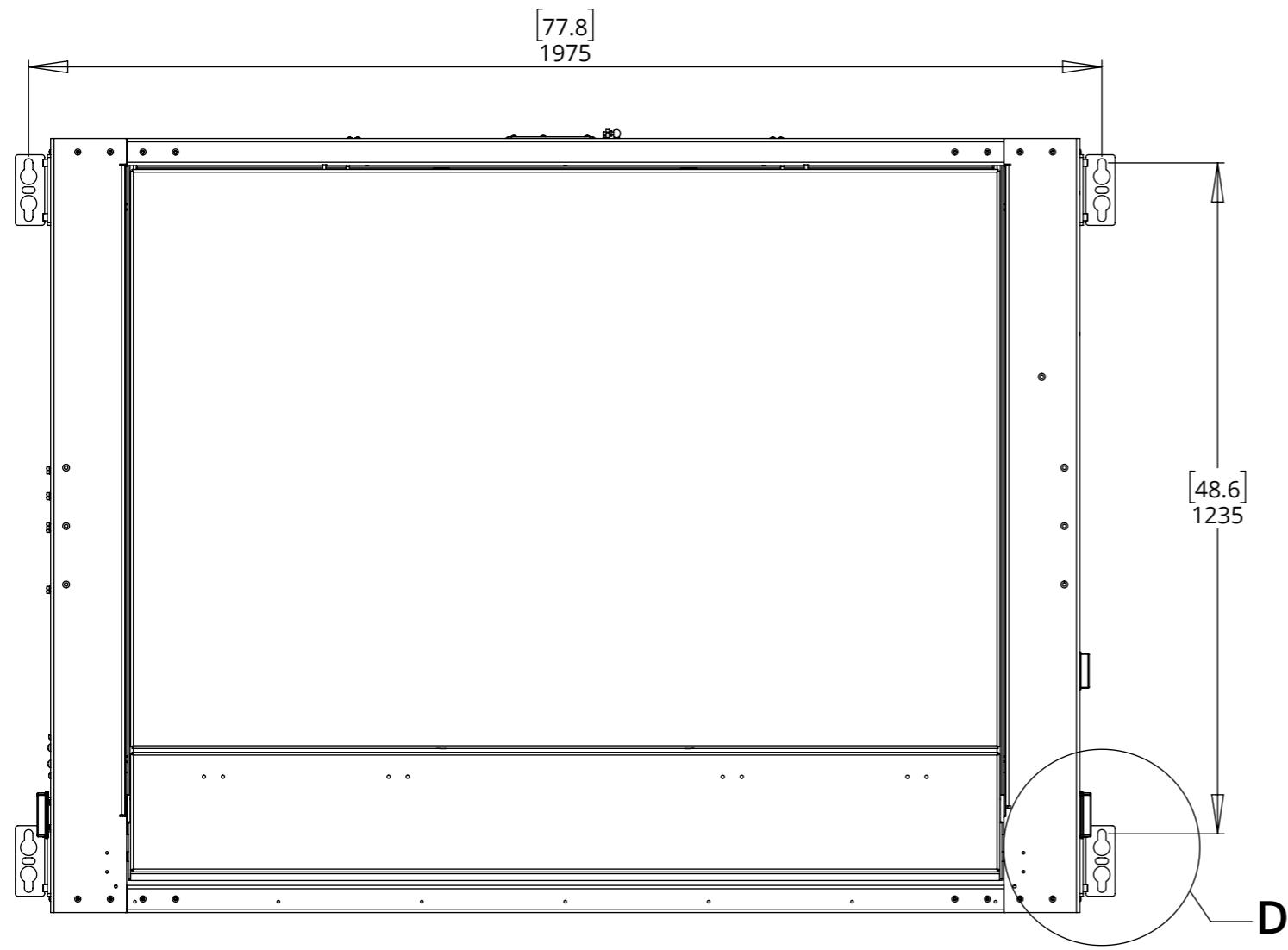
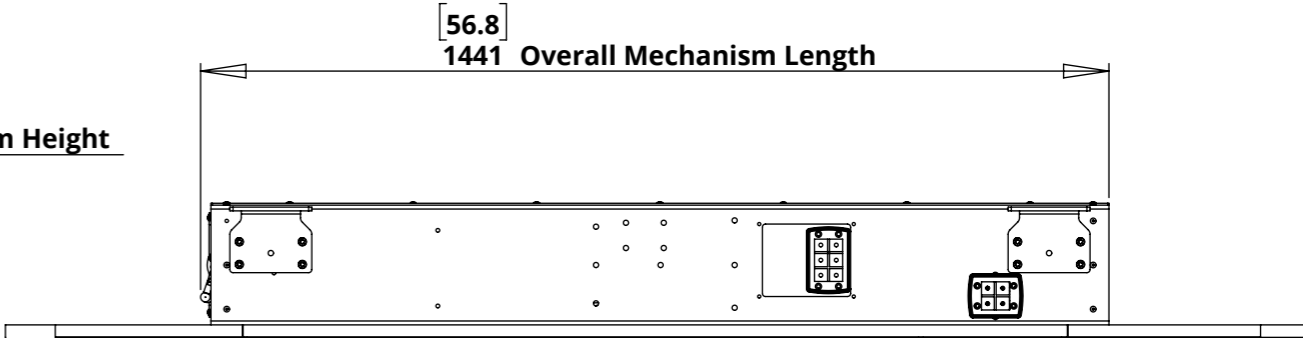
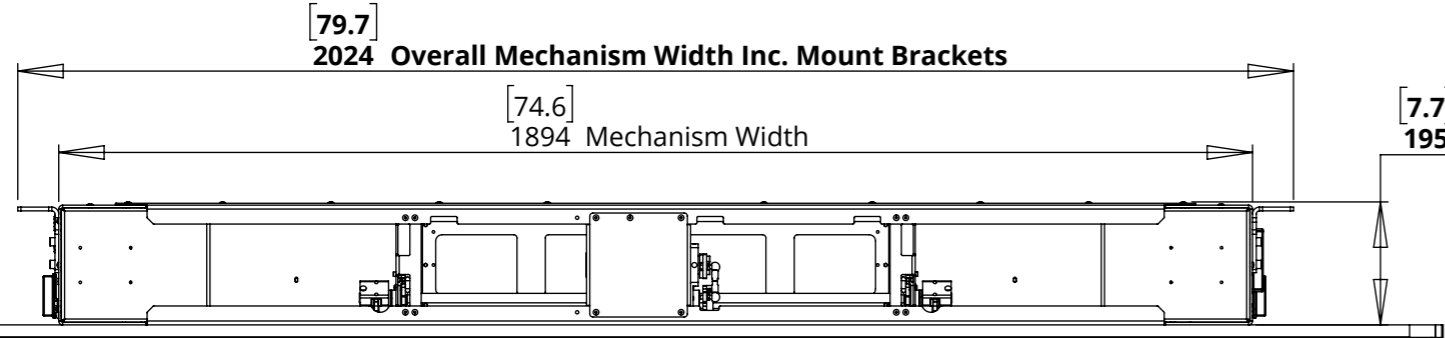
Ensure all panel work is the same thickness.

Weight of all add-on panel work must be included in maximum mechanism lifting capacity.

CHRS6-MO

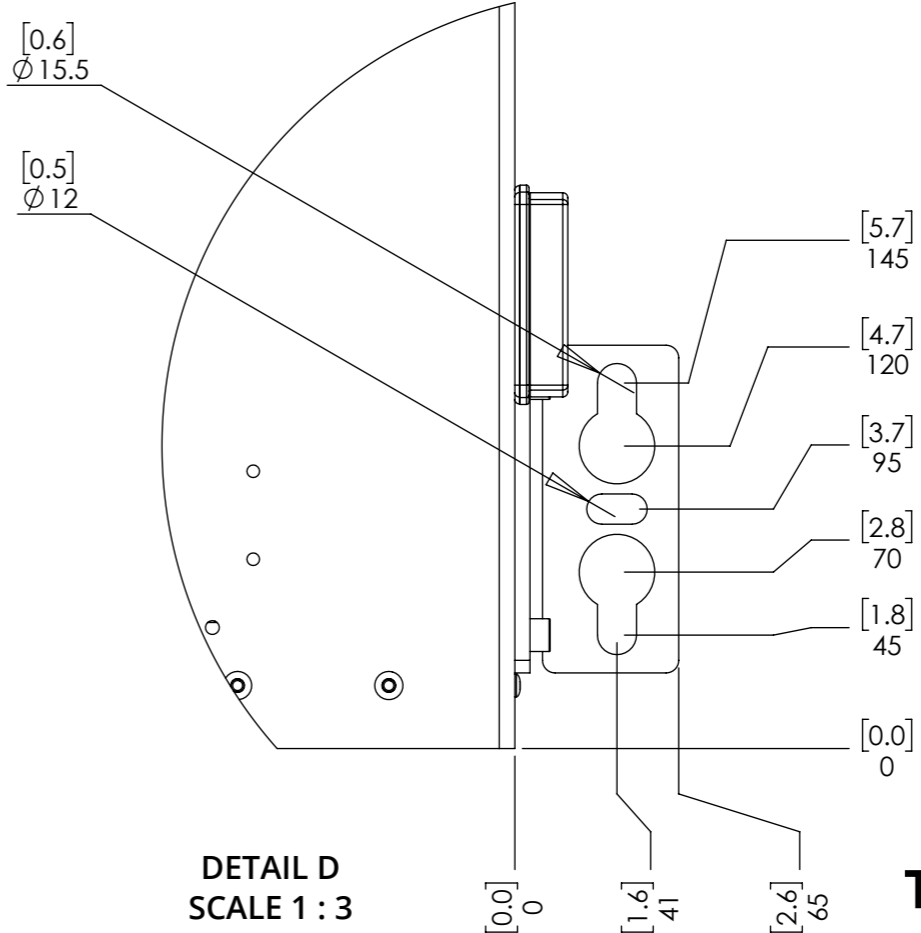
MARINE OUTDOOR CEILING HINGE RANGE WITH SWIVEL

MECHANISM DIMENSIONS - CLOSED



FIXING DETAIL

Mechanism mounted on M12 [0.5] Studding or fixed to underside of the ceiling joist structure, both using the mounting brackets installed on mechanism as standard



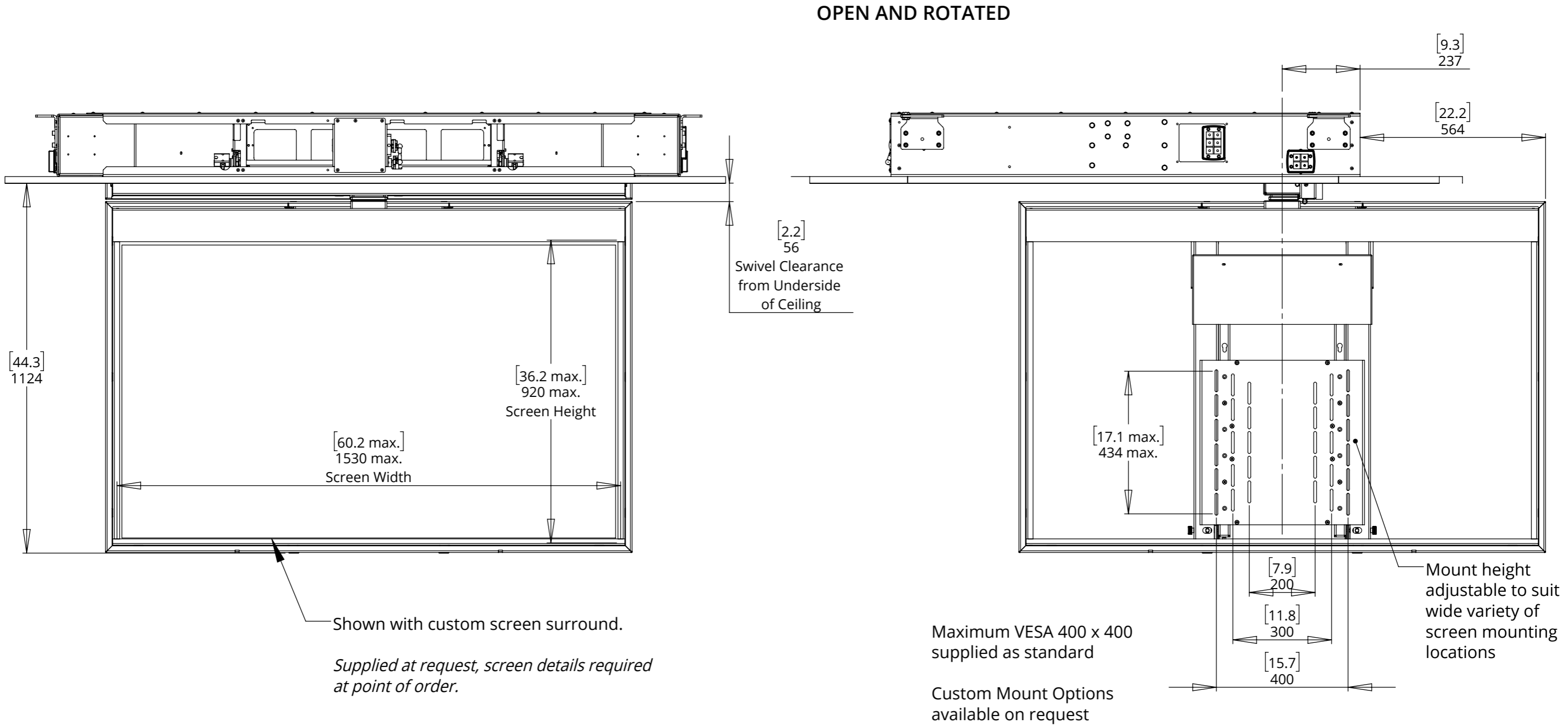
DETAIL D
 SCALE 1 : 3

TECHNICAL SHEET

CHRS6-MO

MARINE OUTDOOR CEILING HINGE RANGE WITH SWIVEL

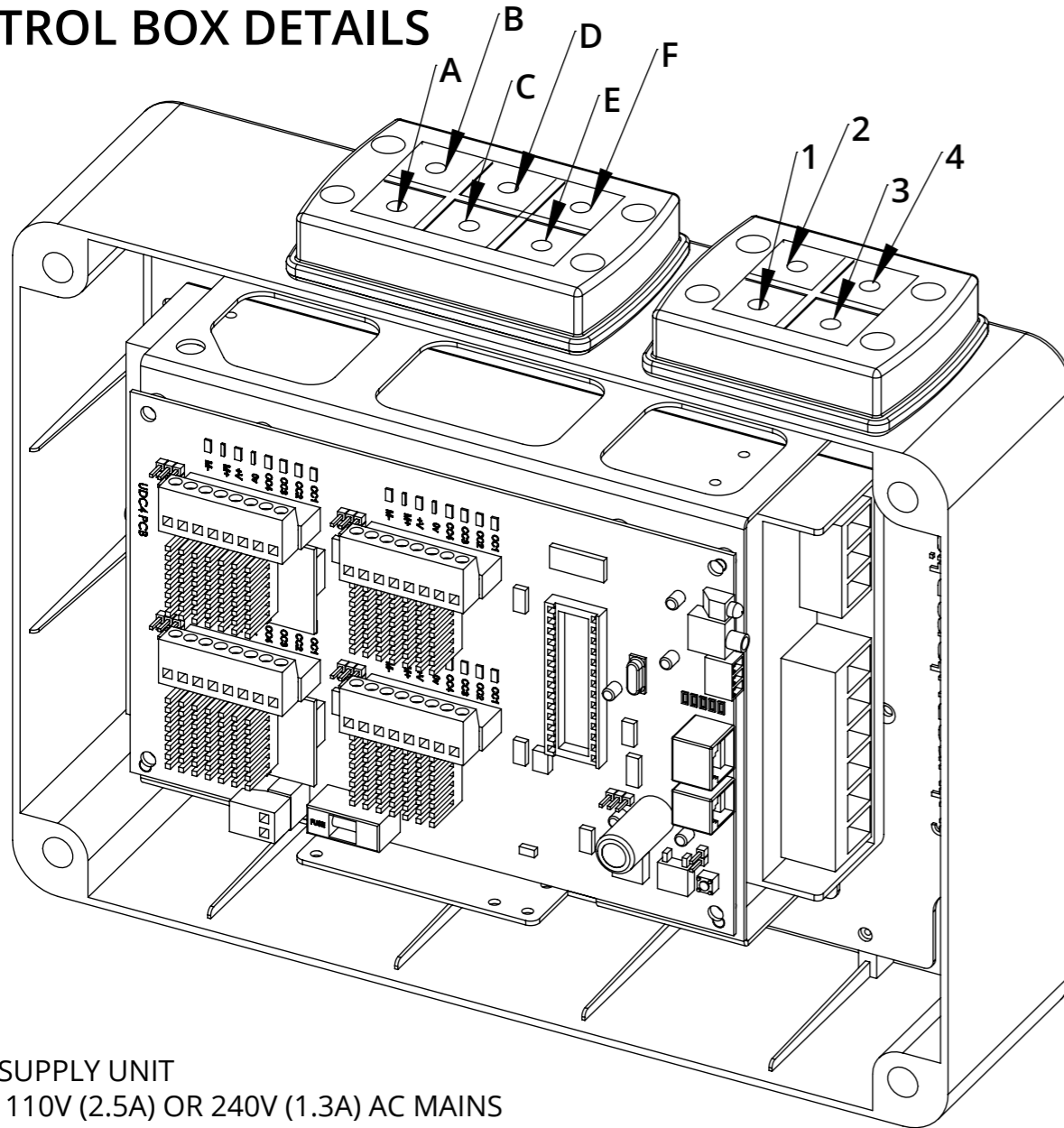
MECHANISM DIMENSIONS - OPEN





CHRS-MO CONTROL MARINE OUTDOOR CEILING HINGE RANGE WITH SWIVEL

CONTROL BOX DETAILS



IP66 Multicable Glands.

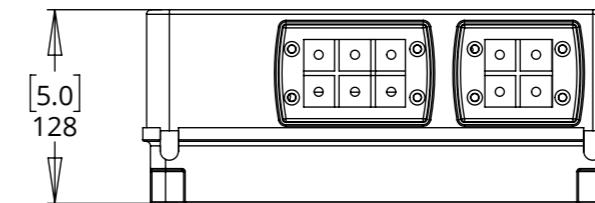
Supplied with standard set of glands to suit mechanism control cables.

- | | | |
|----|---|--|
| A. | Hinge Motor A + B Power | - (4 x 1 core) - 3.42mm [0.13"] dia. (EU SPEC: 2.12mm ² US SPEC:14AWG) |
| B. | Hinge Motor A Signal + IN / OUT SW | - (1 x 8 core) 5.6mm [0.22"] dia. (EU SPEC: 0.22mm ² US SPEC: 24AWG) |
| C. | Hinge Motor B Signal | - (1 x 6 core) 4.6mm [0.18"] dia. (EU SPEC: 0.22mm ² US SPEC: 24AWG) |
| D. | Swivel Motor / Marine Catch Power | - (4 x 1 core) - 3.42mm [0.13"] dia. (EU SPEC: 2.12mm ² US SPEC: 14AWG) |
| E. | Swivel Motor Signal | - (1 x 6 core) - 4.6mm [0.18"] dia. (EU SPEC: 0.22mm ² US SPEC: 24AWG) |
| F. | Marine Catch Switches | - (1 x 3 core) - 3.6mm [0.14"] dia. (EU SPEC: 0.22mm ² US SPEC: 24AWG) |
| 1. | Control Board Power - 3 Core Mains | 6mm [0.25"] dia. (EU SPEC: 0.75mm ² US SPEC: 18AWG) |
| 2. | Cat 5e 8 core - RS232 interface | 5mm [0.2"] dia.(EU SPEC: 0.2mm ² US SPEC: 24AWG) |
| 3. | Cat 5e 8 core - Contact Closure interface | 5mm [0.2"] dia.(EU SPEC: 0.2mm ² US SPEC: 24AWG) |
| 4. | FA IR Receiver Cable | 3mm [0.12"] dia.(EU SPEC: 0.12mm ² US SPEC: 25AWG) |

POWER SUPPLY UNIT
INPUT = 110V (2.5A) OR 240V (1.3A) AC MAINS
OUTPUT = 24V DC, 8A

NOTES

- ENCLOSURE IS RATED TO IP56 / GLANDS ARE RATED TO IP66
- ENCLOSURE AND LID FIXINGS ALL MADE FROM GEWISS GW PLAST 75.
- ENCLOSURE MATERIAL SUITABLE FOR TEMPERATURES +60 C TO -25 C.
- POWER SUPPLY UNIT (PSU) WILL ALLOW 110V OR 240V AC INPUT. THE SAME PSU IS USED FOR EU OR US MAINS SUPPLIES.
- OTHER THAN CONTROL CABLES, ALL CABLES TERMINATE AT CONTROL BOARD VIA STANDARD PHOENIX CONNECTORS.
- CABLE LOOM LENGTH SUPPLIED AT APPROX. 3m [118"]. LOOM CAN BE EXTENDED UP TO MAXIMUM OF APPROX. 10m [400"].
- MINIMUM CABLE BEND RADIUS 25mm [1"].



Supplied with 3M [10']
loom as standard

